

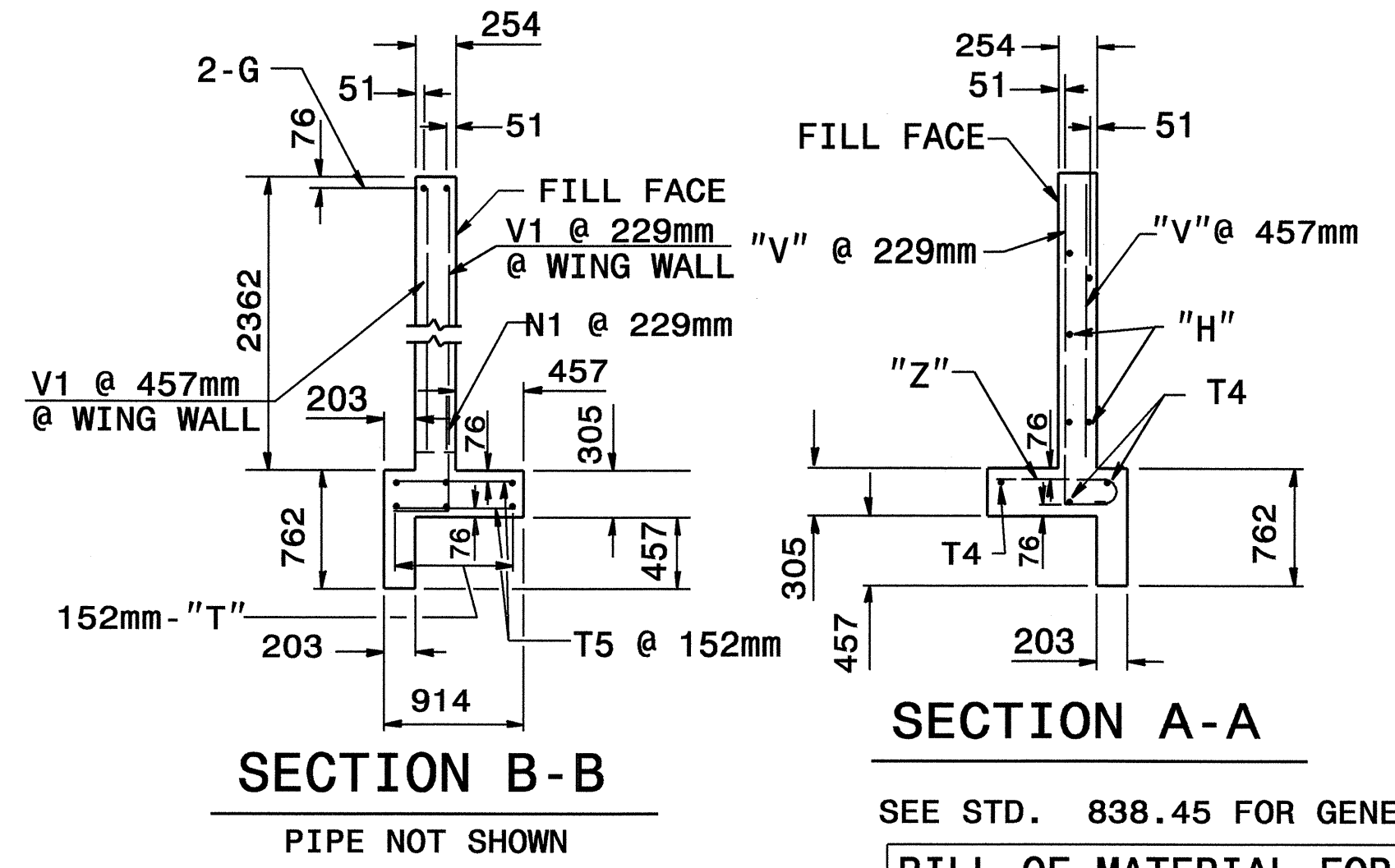
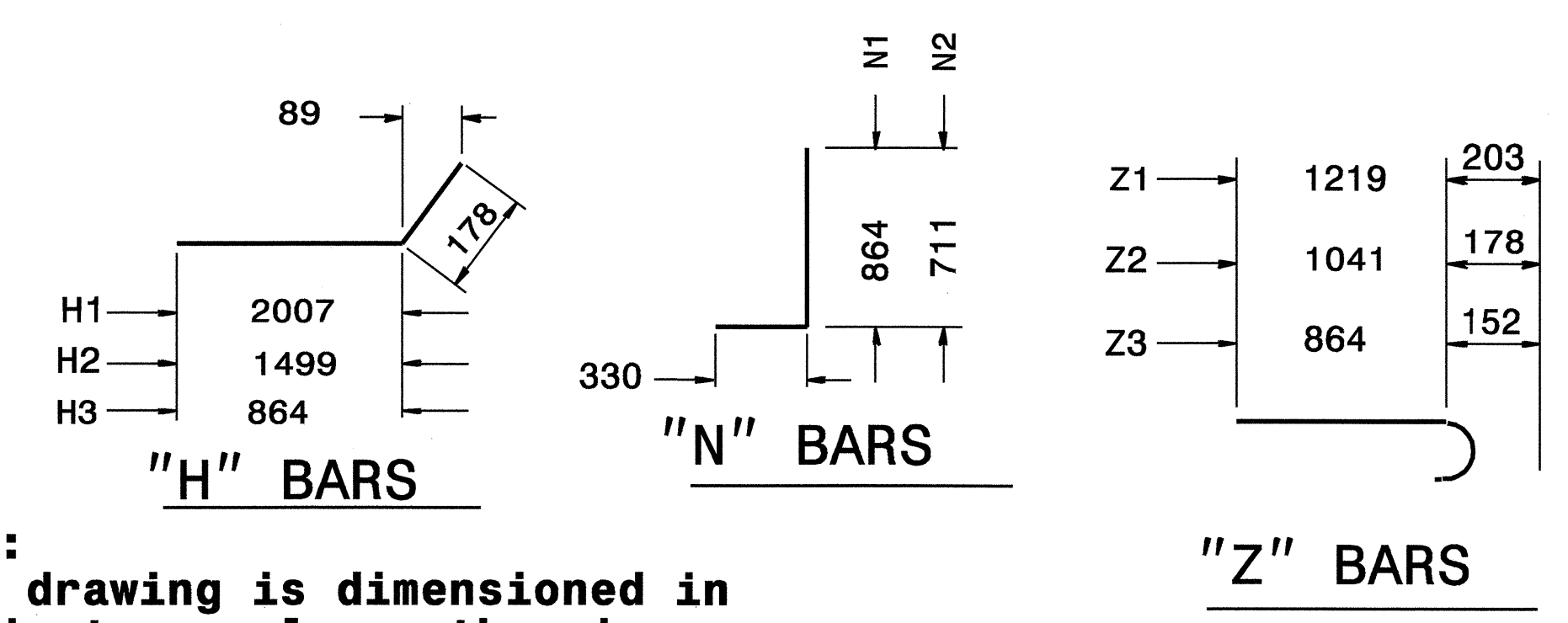
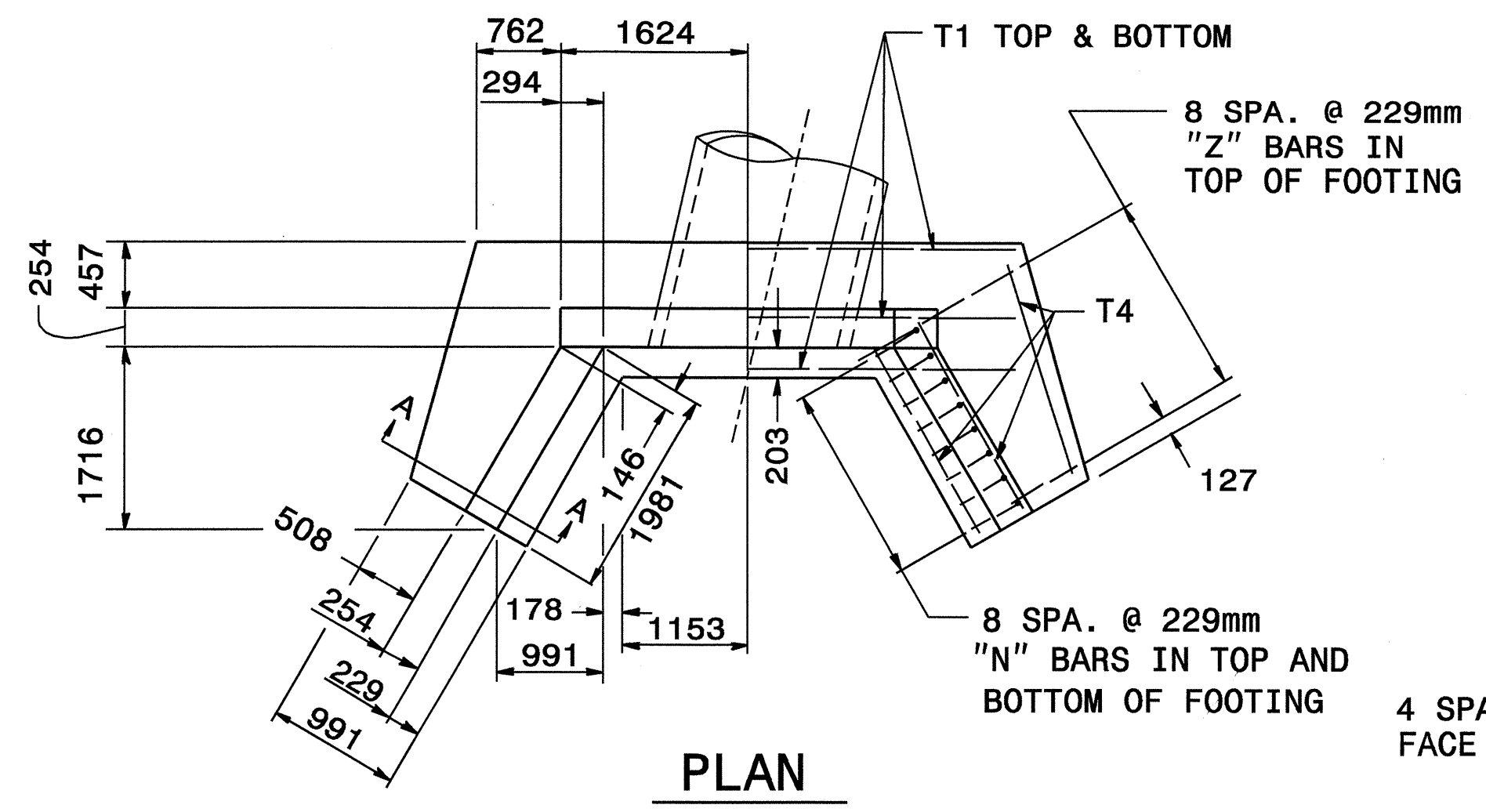
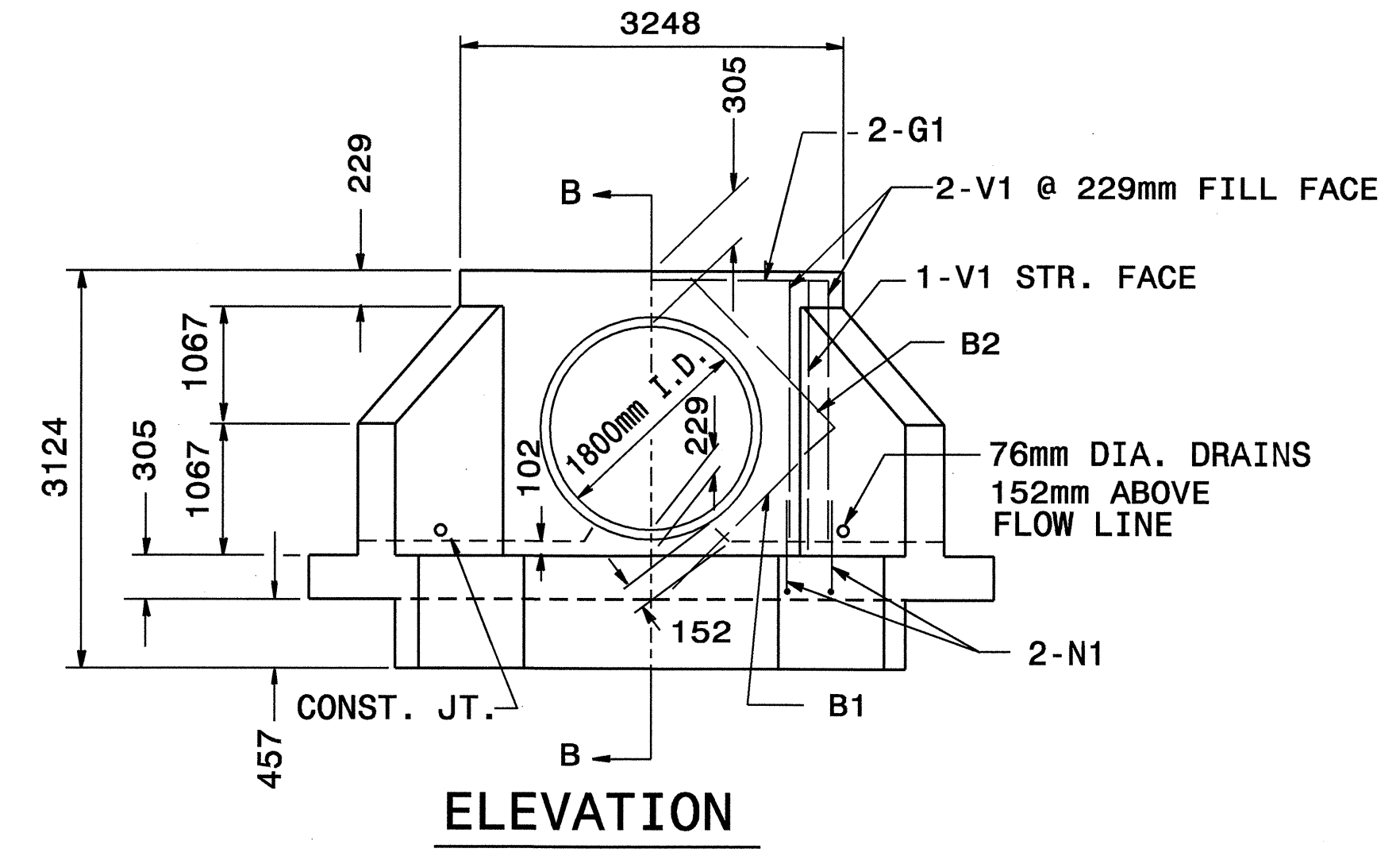


STATE OF NORTH CAROLINA
DEPT. OF TRANSPORTATION
DIVISION OF HIGHWAYS
RALEIGH, N.C.

METRIC DETAIL DRAWING FOR
REINFORCED CONCRETE ENDWALL
FOR SINGLE 1800mm PIPE 77° OR 103° SKEW

STATE OF NORTH CAROLINA
DEPT. OF TRANSPORTATION
DIVISION OF HIGHWAYS
RALEIGH, N.C.

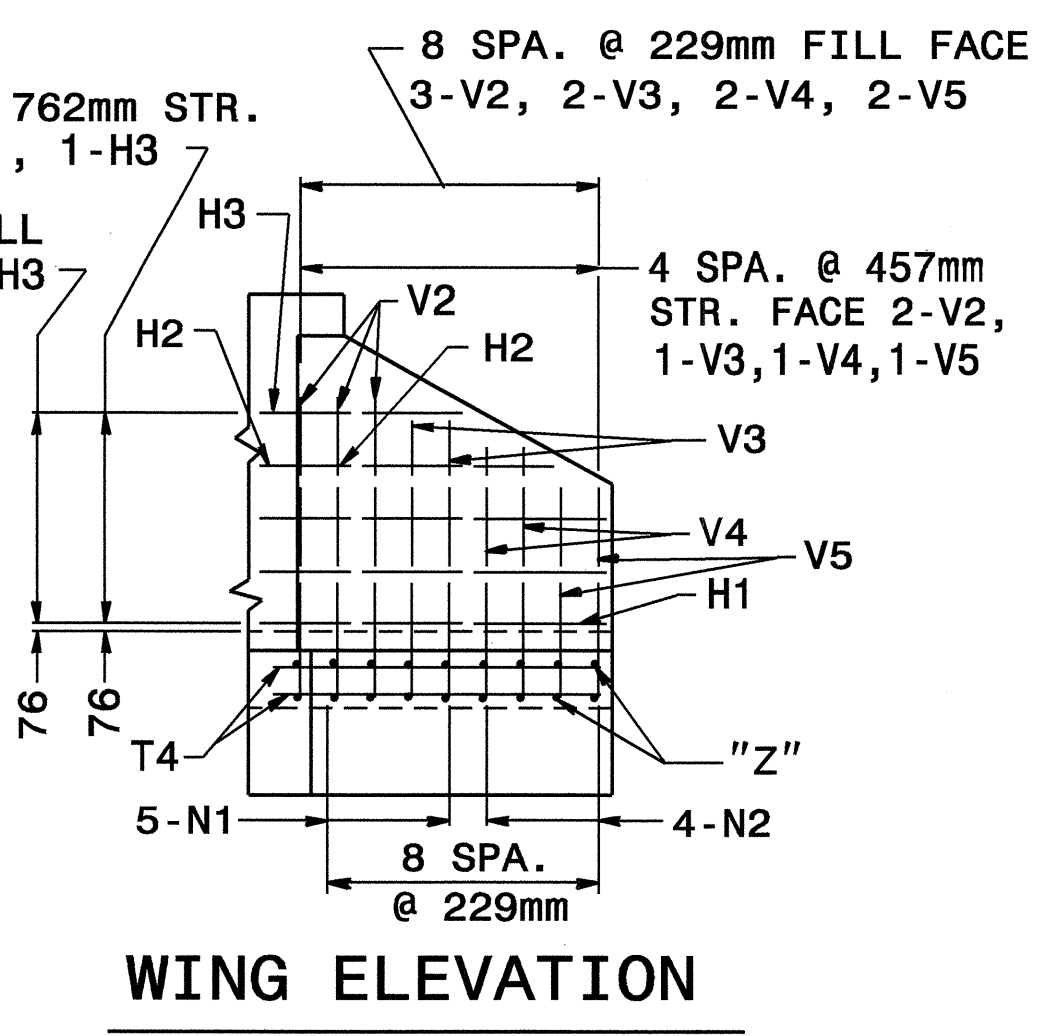
METRIC DETAIL DRAWING FOR
REINFORCED CONCRETE ENDWALL
FOR SINGLE 1800mm PIPE 77° OR 103° SKEW



SEE STD. 838.45 FOR GENERAL NOTES.

BILL OF MATERIAL FOR ENDWALL

REINF. STEEL			1 PIPE	
BAR	SIZE	LENGTH	NO.	WEIGHT
B1	#13	1676	4	7
B2	#13	1372	4	6
G1	#22	3146	2	19
H1	#13	2184	10	22
H2	#13	1676	2	3
H3	#13	1041	4	4
N1	#16	1194	14	26
N2	#13	1041	8	8
T1	#13	4620	6	28
T4	#13	2057	6	12
T5	#13	762	40	30
V1	#13	2210	6	13
V2	#13	1778	10	18
V3	#13	1524	6	9
V4	#13	1245	6	7
V5	#13	965	6	6
Z1	#19	1422	6	19
Z2	#16	1219	6	11
Z3	#13	1016	6	6
REINF. STEEL kg.			254	
CON./R.C. m ³			5.6	



Note:
This drawing is dimensioned in millimeters unless otherwise depicted within the drawing.

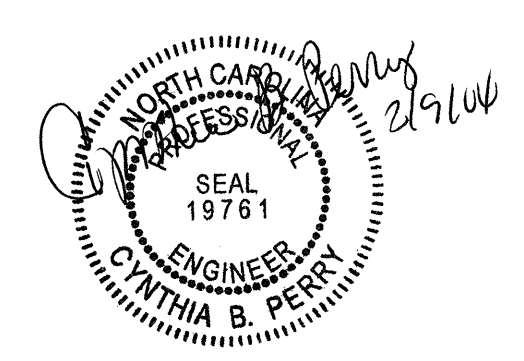
SHEET 1 OF 1
838D39

SHEET 1 OF 1
838D39

DESIGN SERVICES UNIT
STANDARDS AND SPECIAL DESIGN
Office 919-250-4128 FAX 919-250-4119

SEE PLATE FOR TITLE

ORIGINAL BY: C.O. CUEVAS DATE: 8-98
MODIFIED BY: DATE:
CHECKED BY: DATE: 9-03
FILE SPEC.: \usr\cesar\metric\single1800.dgn



I:\SEP-2007\05-44\Special Design\ward\usr\cesar\metric\single1800.dgn
er.toward 05/21/2008