

NOTES

FOR POT BEARINGS, SEE SPECIAL PROVISIONS.

AT ALL POINTS OF SUPPORT, NUTS FOR ANCHOR BOLTS SHALL BE TIGHTENED FINGER TIGHT AND GIVEN AN ADDITIONAL 1/4 TURN. THE THREAD OF THE NUT AND BOLT SHALL THEN BE BURRED WITH A SHARP POINTED TOOL.

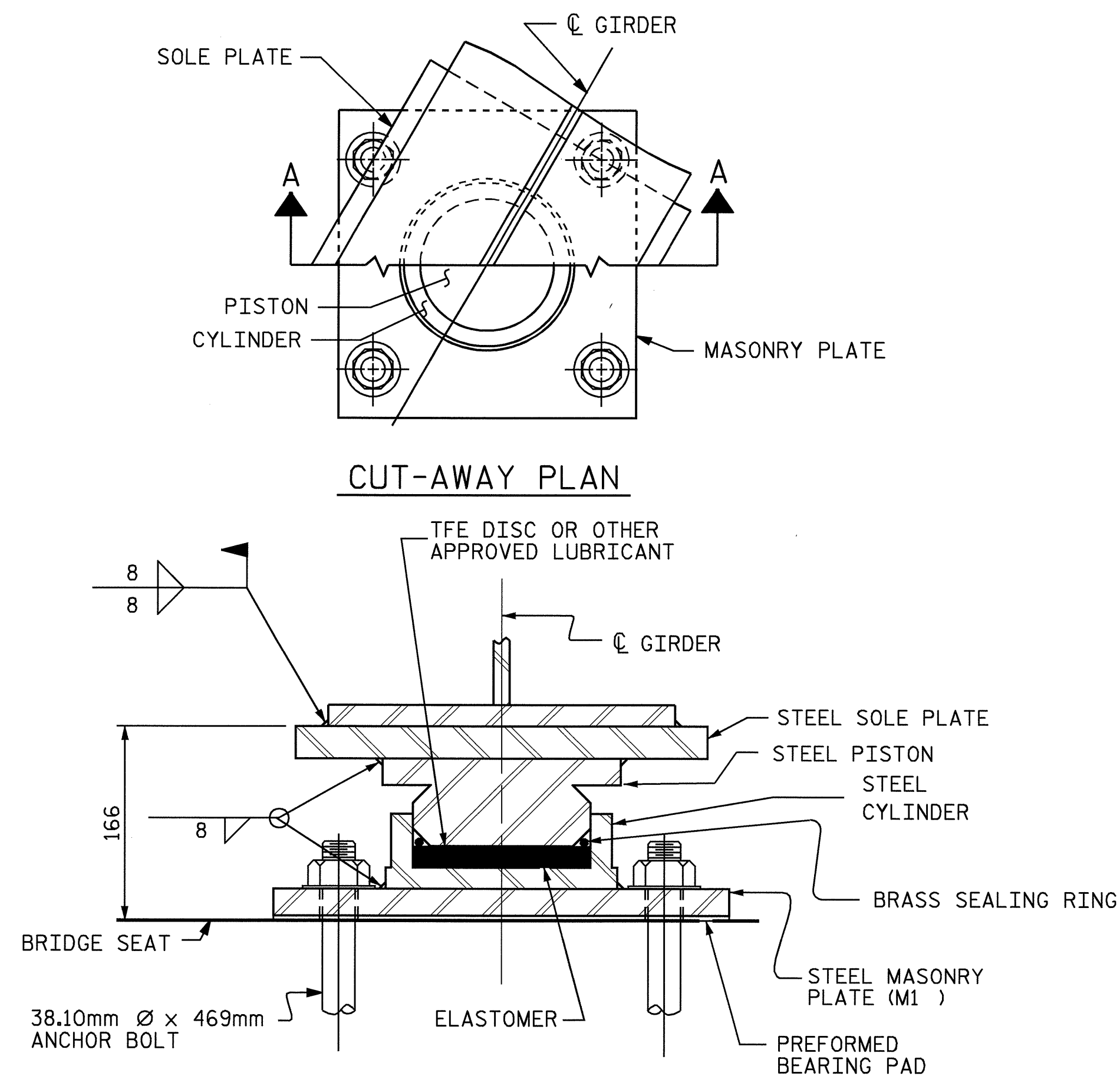
WHEN WELDING THE SOLE PLATE TO THE GIRDER, USE TEMPERATURE INDICATING WAX PENS, OR OTHER SUITABLE MEANS, TO ENSURE THAT THE TEMPERATURE OF THE BEARING DOES NOT EXCEED 121°C. TEMPERATURES ABOVE THIS MAY DAMAGE THE TFE OR ELASTOMER.

SOLE PLATES SHOULD BE WELDED TO GIRDER FLANGES BEFORE FALSEWORK IS PLACED.

ALL SURFACES OF BEARING PLATES SHALL BE SMOOTH AND STRAIGHT.

FOR THERMAL SPRAYED COATINGS (METALLIZATION), SEE SPECIAL PROVISIONS.

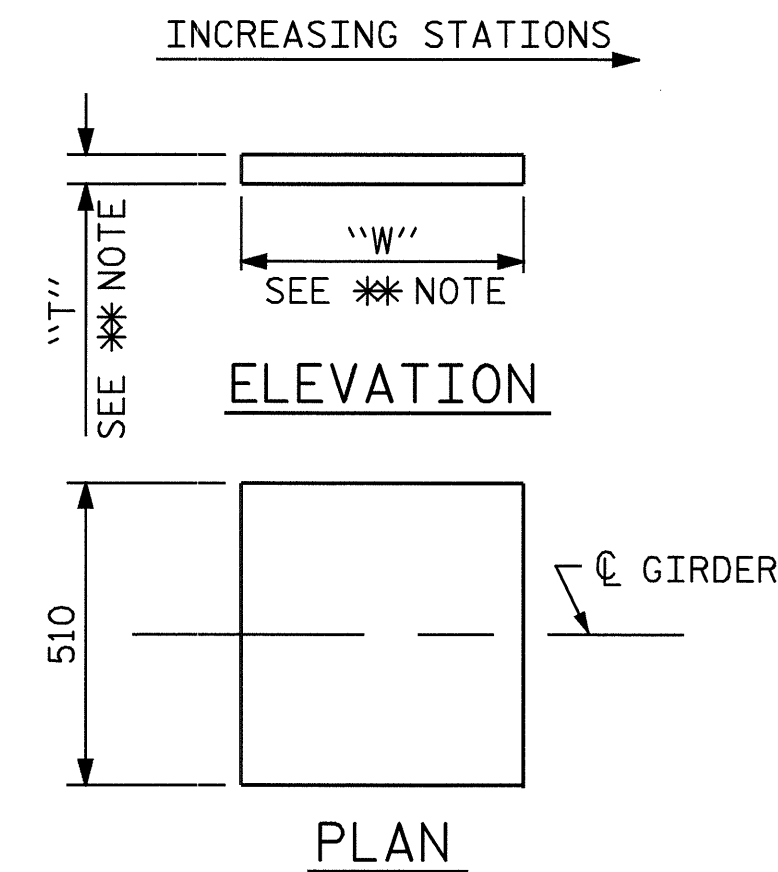
THE CONTRACTOR MAY SUBSTITUTE DISC BEARINGS FOR THE POT BEARINGS SHOWN. FOR OPTIONAL DISC BEARINGS, SEE SPECIAL PROVISIONS.



CUT-AWAY PLAN

SECTION A-A
PB1, FIXED
(6 REQ'D.)

POT BEARING DETAILS



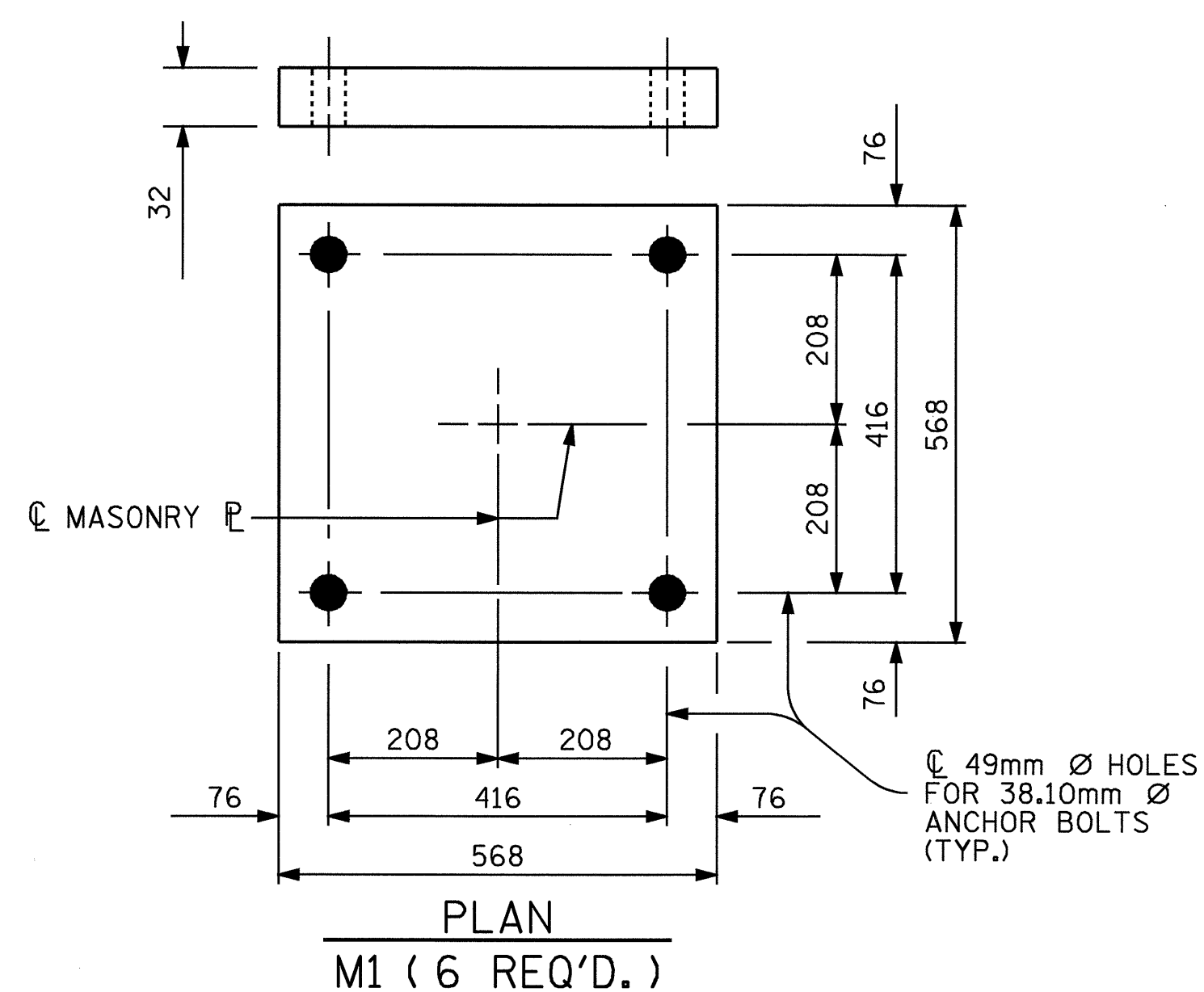
ELEVATION

PLAN

** NOTE:
DIMENSIONS "W" AND "T" ARE TO BE DETERMINED BY THE MANUFACTURER.

SOLE PLATE DETAILS (S1)

(6 REQ'D.)



PLAN
M1 (6 REQ'D.)

MASONRY PLATE DETAILS

BEARING	LOCATION	VERTICAL LOAD (kN)			LATERAL LOAD (kN)	TOTAL MOVEMENT (mm)
		DEAD	LIVE	TOTAL		
PB1 (FIXED)	BENT #1	1340	640	1980	270	**

** NO MOVEMENT FOR FIXED POT BEARING

PROJECT NO. R-2911A
IREDELL COUNTY
STATION: 39+62.402-L-



STATE OF NORTH CAROLINA
DEPARTMENT OF TRANSPORTATION
RALEIGH
STANDARD
POT BEARING
DETAILS
LEFT LANE

REVISIONS						SHEET NO. S-14
NO.	BY:	DATE:	NO.	BY:	DATE:	
1			3			TOTAL SHEETS 106
2			4			

ASSEMBLED BY : L.L.MURPHY	DATE : 01-04
CHECKED BY : D.HODGE	DATE : 20-04
DRAWN BY : RWW 8/99	REV. 10/17/00 RWW/LES
CHECKED BY : LES 8/99	REV. 7/10/01 LES/RWW
	REV. 5/7/03 RWW/JTE