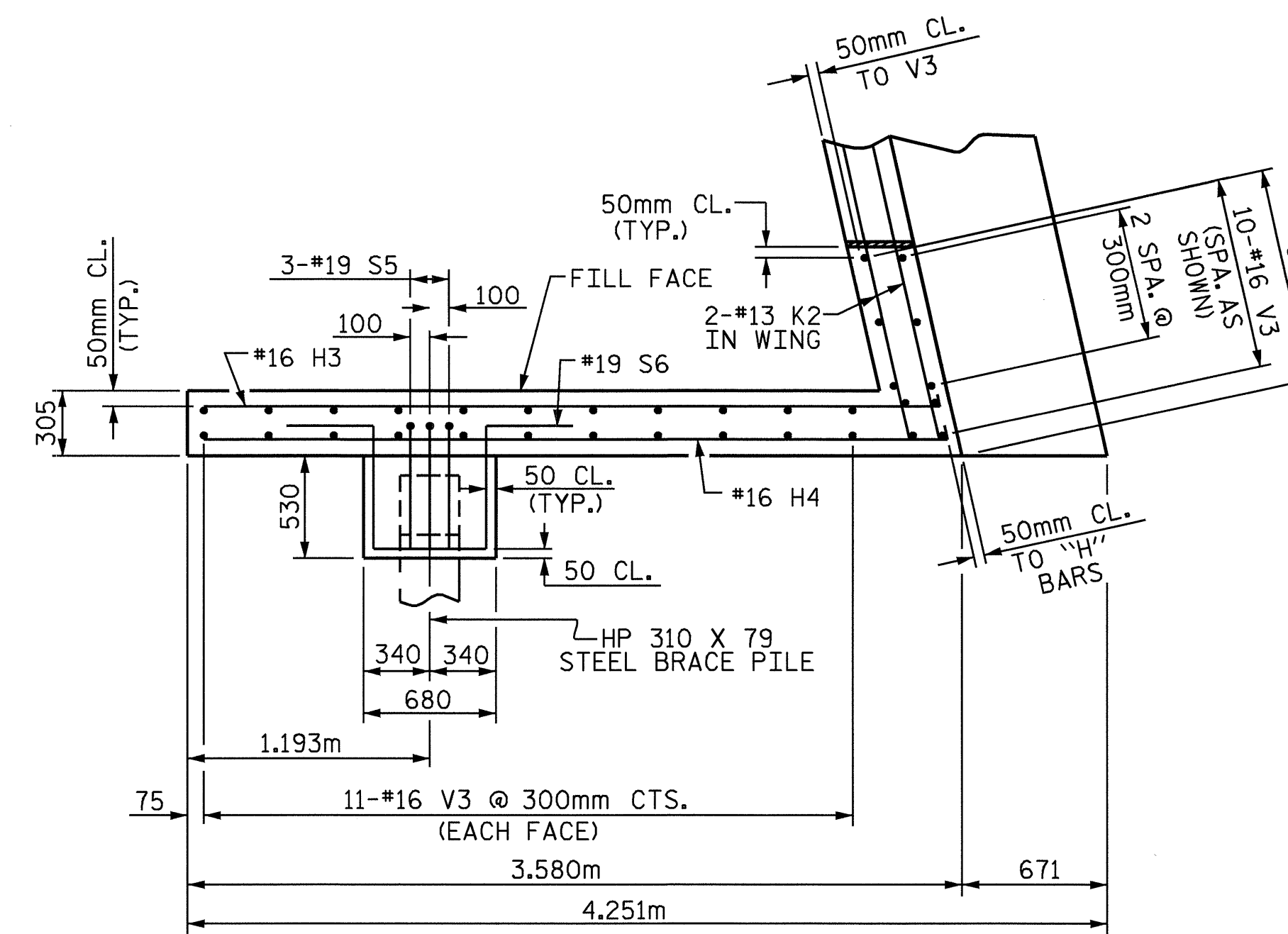
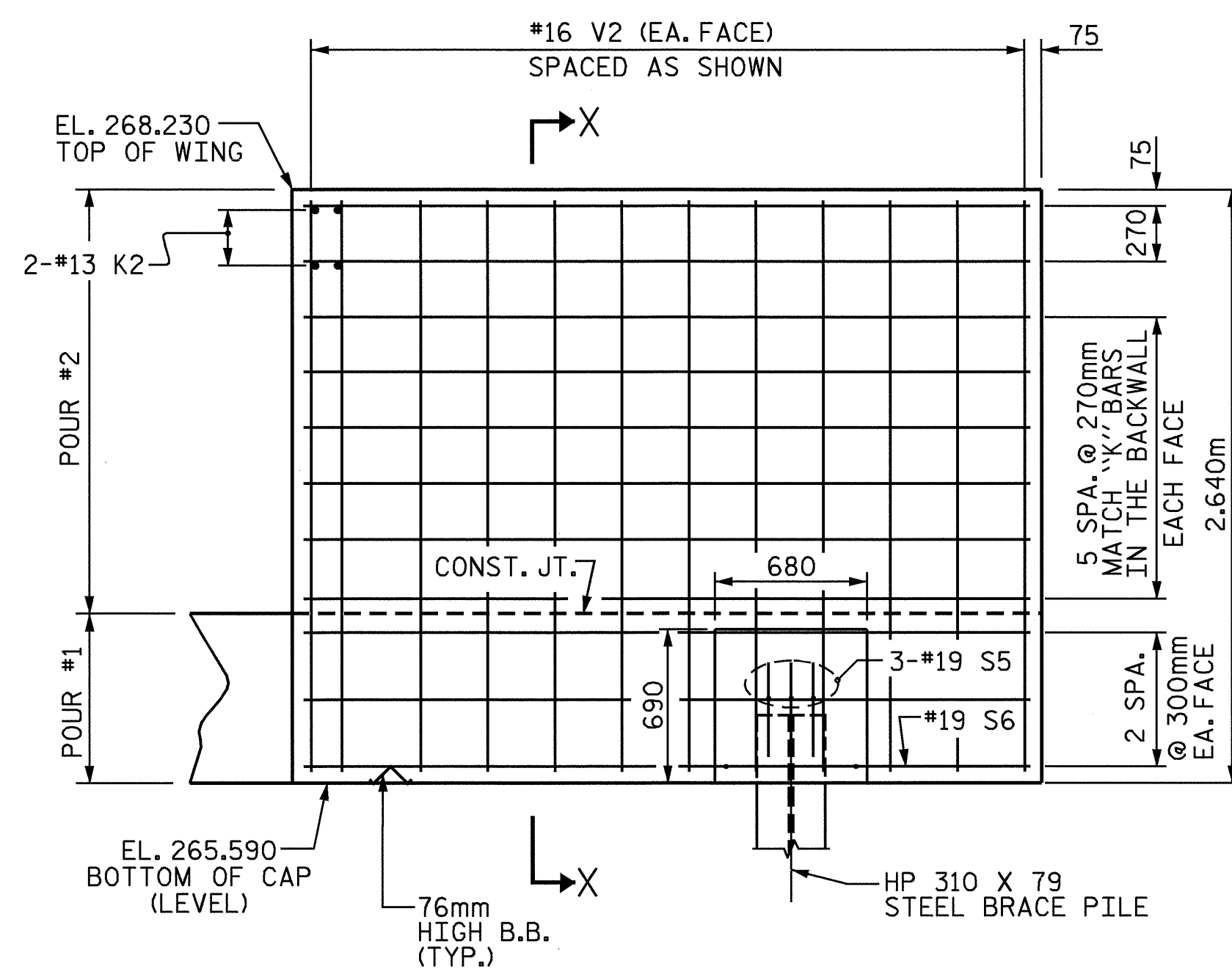


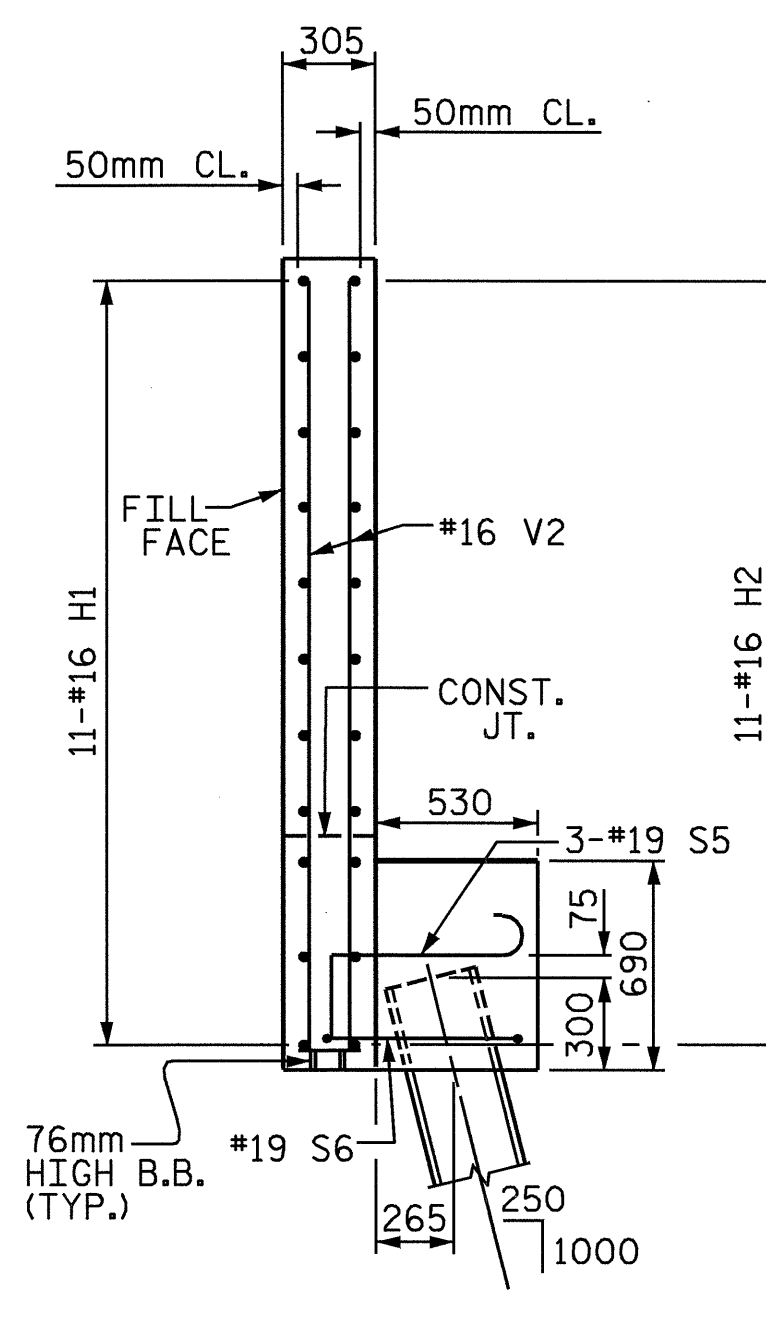
PLAN OF LEFT WING W1



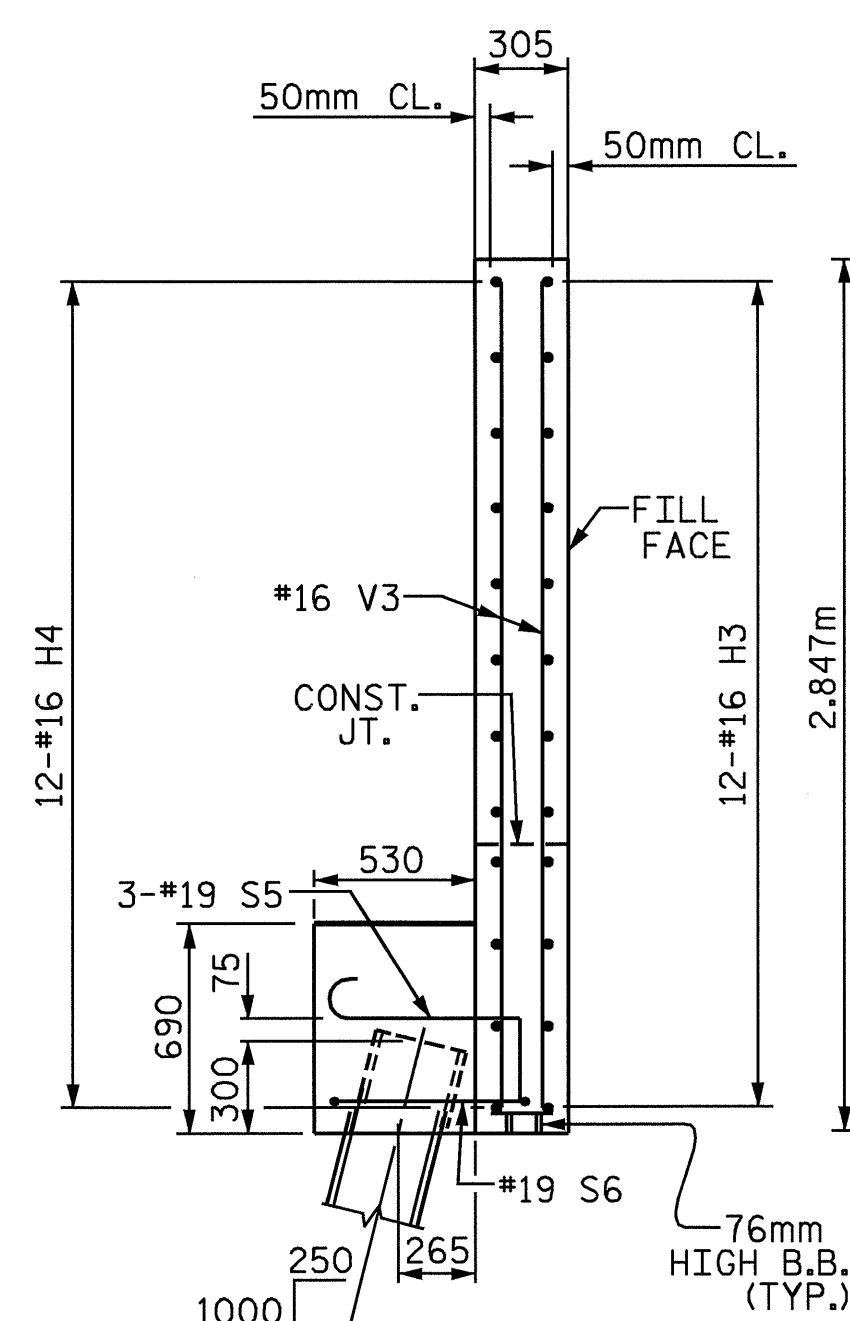
PLAN OF RIGHT WING W2



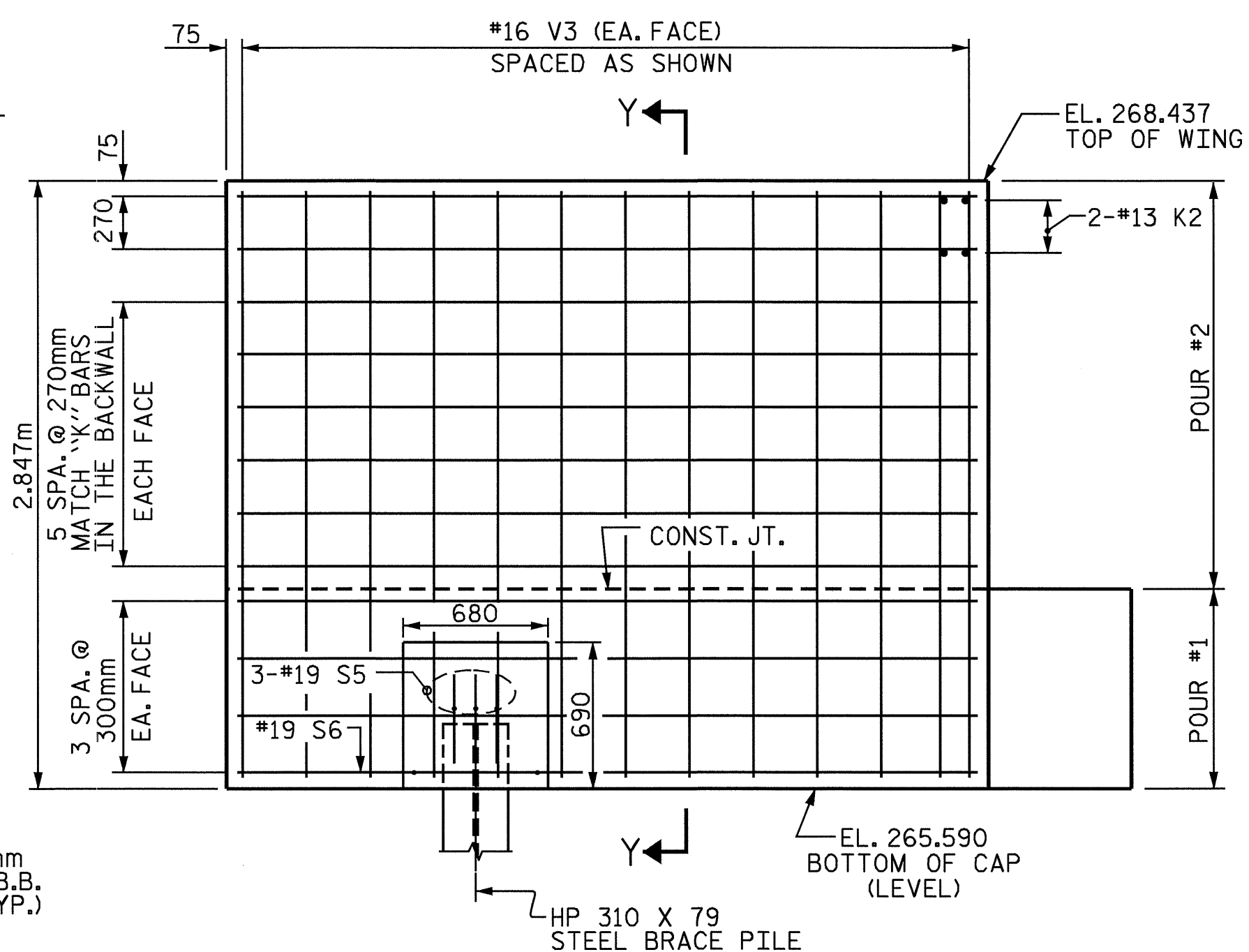
ELEVATION OF LEFT WING W1



SECTION X-X



SECTION Y-Y



ELEVATION OF RIGHT WING W2

PROJECT NO. R-2911A
IREDELL COUNTY
STATION: 39+62.402 -L-

SHEET 2 OF 3

STATE OF NORTH CAROLINA
DEPARTMENT OF TRANSPORTATION
RALEIGH

SUBSTRUCTURE
END BENT #1
LEFT LANE



DRAWN BY: QT NGUYEN DATE: 2-04
CHECKED BY: L.L. MURPHY DATE: 3-04

07-MAY-2004 12:15
W:\squadry\2911a\Final plans\2911ale.dgn
clewis

REVISIONS					SHEET NO.
NO.	BY:	DATE:	NO.	BY:	DATE:
1			3		
2			4		

TOTAL SHEETS: 106

STR. #1