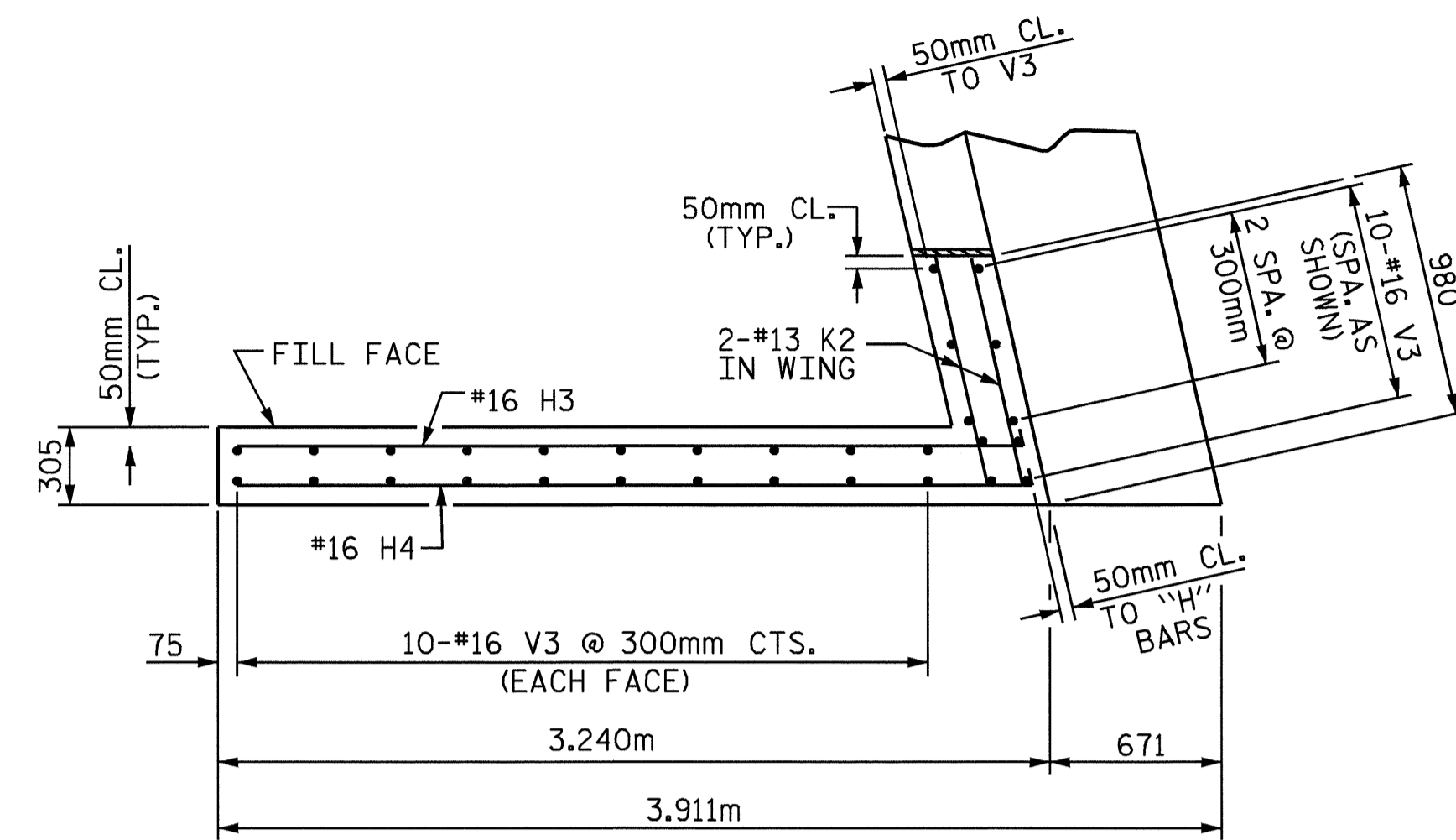
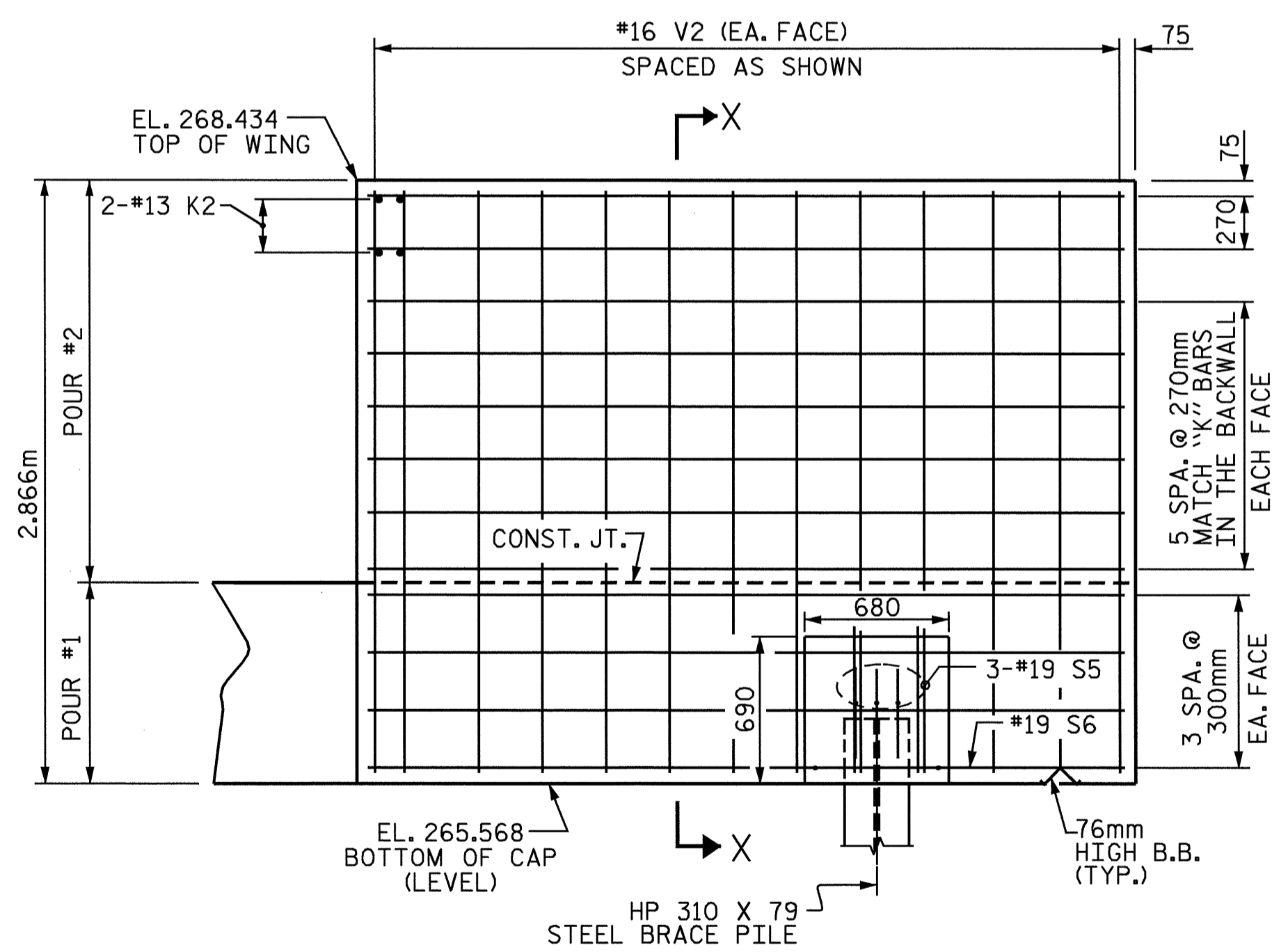


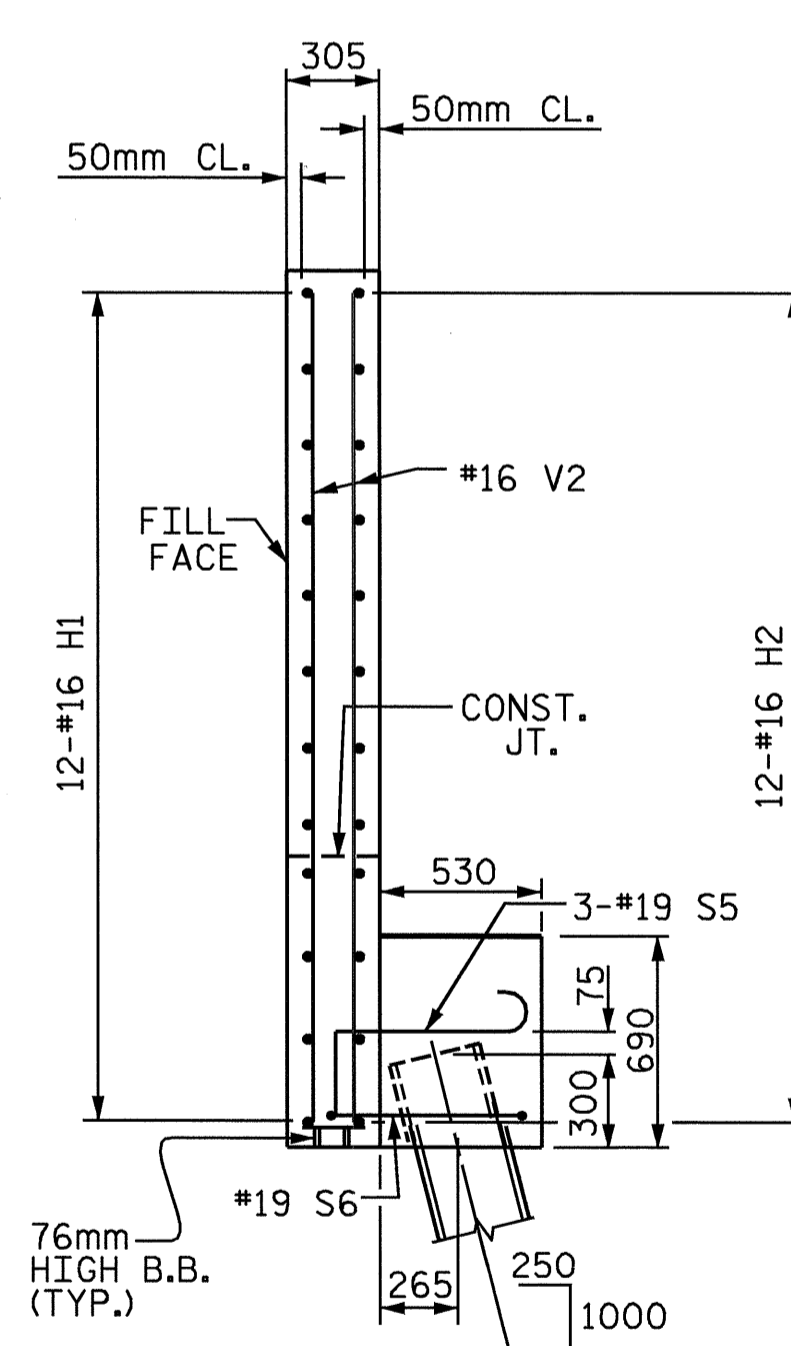
PLAN OF LEFT WING W1



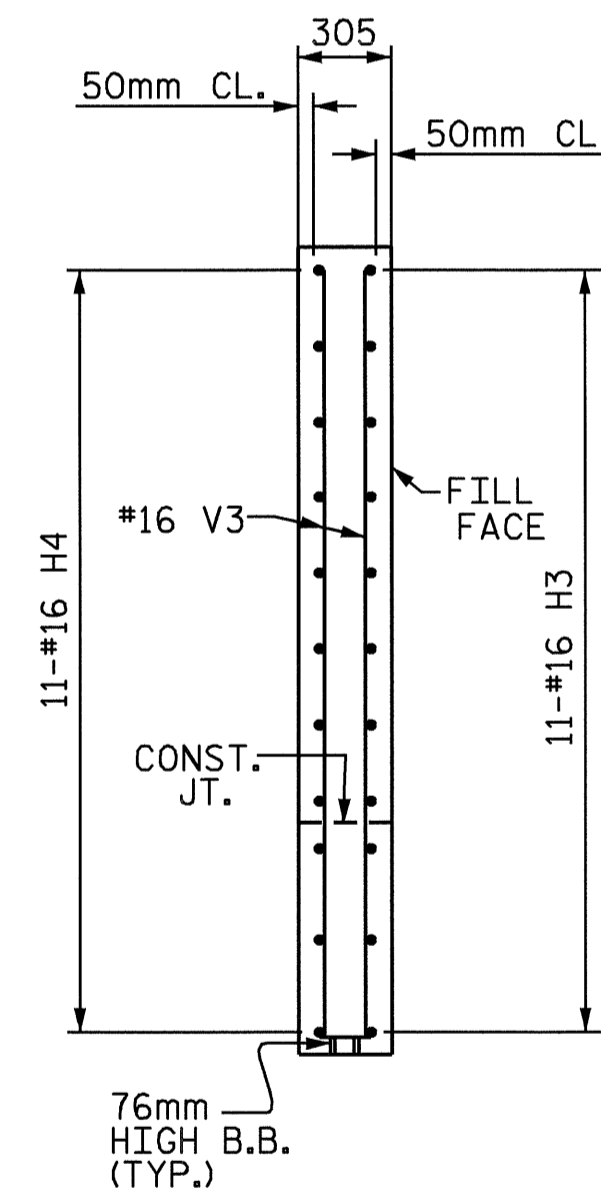
PLAN OF RIGHT WING W2



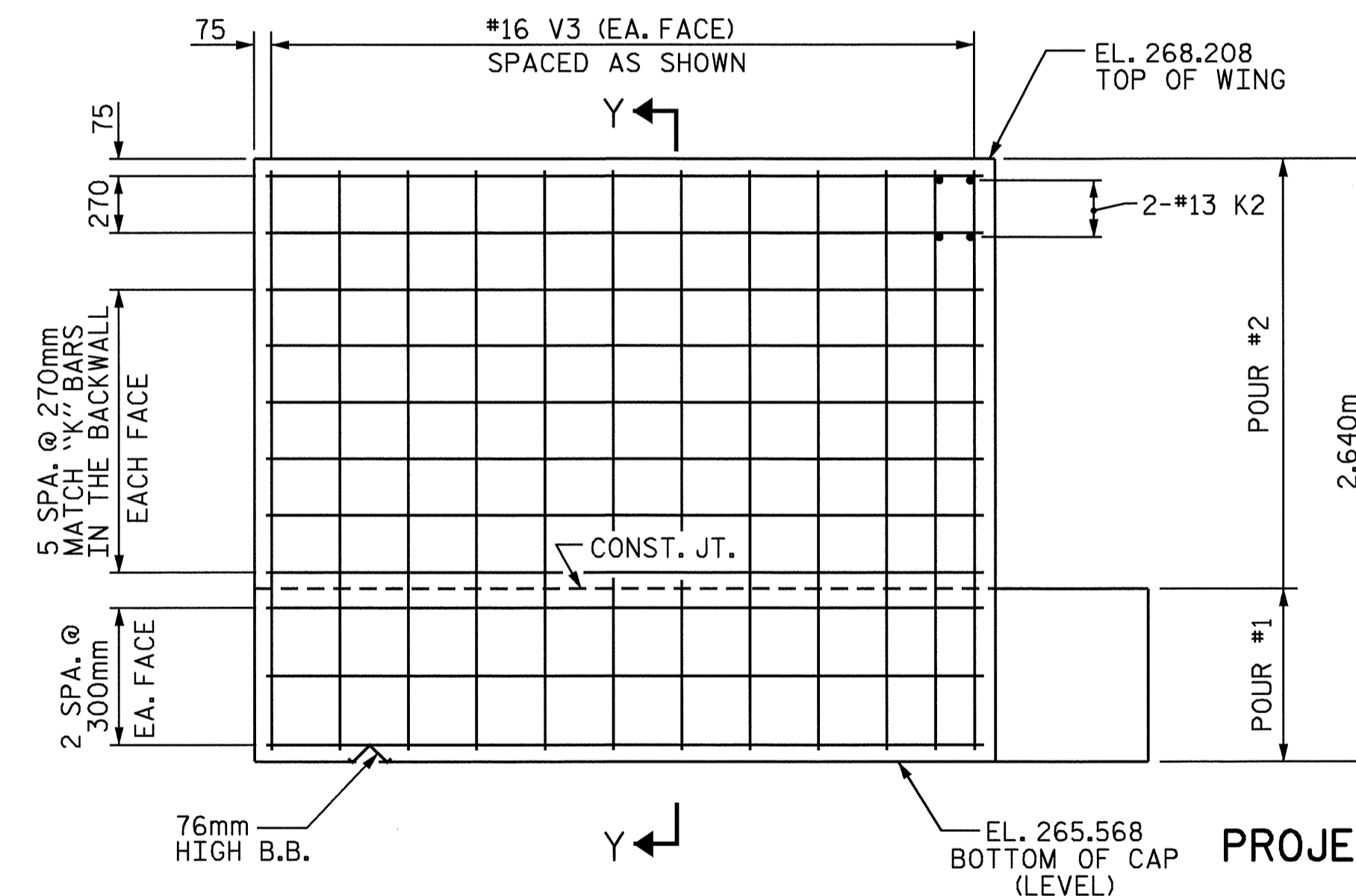
ELEVATION OF LEFT WING W1



SECTION X-X



SECTION Y-Y



ELEVATION OF RIGHT WING W2

PROJECT NO. R-2911A
 IREDELL COUNTY
 STATION: 39+62.402 -L-

SHEET 2 OF 3

STATE OF NORTH CAROLINA
 DEPARTMENT OF TRANSPORTATION
 RALEIGH

SUBSTRUCTURE
 END BENT #1
 RIGHT LANE



DRAWN BY: QT NGUYEN DATE: 3-04
 CHECKED BY: L.L. MURPHY DATE: 3-04

07-MAY-2004 12:20
 W:\sdquady\2911a\Final plans\2911a2e.dgn
 clewis

| REVISIONS | | | | | | SHEET NO. |
|-----------|-----|-------|-----|-----|-------|------------------|
| NO. | BY: | DATE: | NO. | BY: | DATE: | S-48 |
| 1 | | | 3 | | | TOTAL SHEETS 106 |
| 2 | | | 4 | | | |

STR. #2