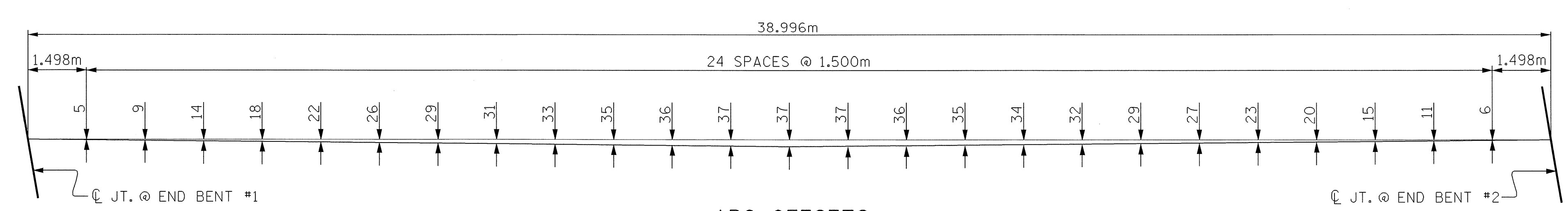
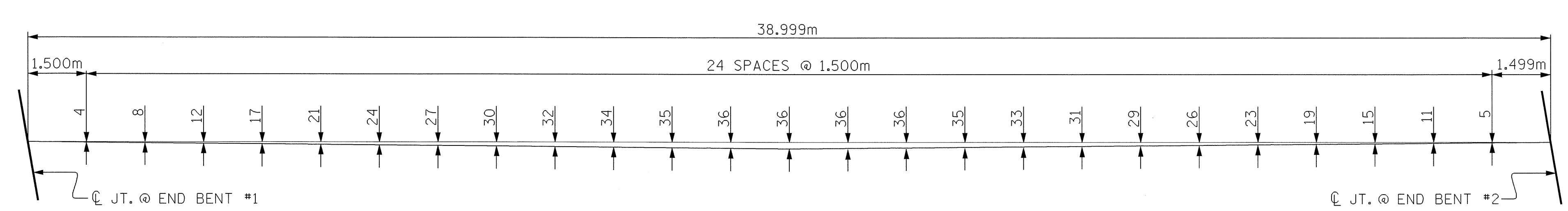


PLAN



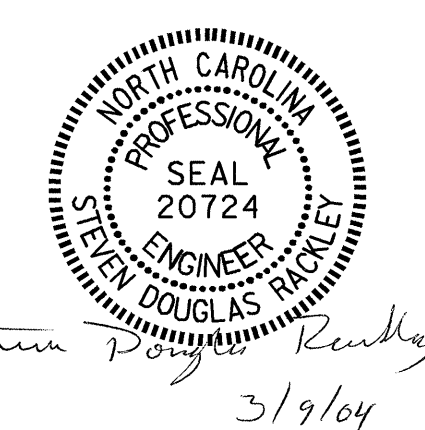
PROJECT NO. R-2911A
IREDELL COUNTY
 STATION: 41+59.472 -L-

STATE OF NORTH CAROLINA
 DEPARTMENT OF TRANSPORTATION
 RALEIGH

SUPERSTRUCTURE
 PLAN OF SPAN A
 (LEFT LANE)

REVISIONS				SHEET NO.	
NO.	BY:	DATE:	NO.	BY:	DATE:
1			3		
2			4		

TOTAL SHEETS: 106



DRAWN BY: M.K. BEARD DATE: 01/14/04
 CHECKED BY: K.D. LAYNE DATE: 02/05/04

09-MAR-2004 13:32
 W:\squads\R2911a\Final Plans\Str 3\R-2911A.sd.S*_03.dgn
 Klayne