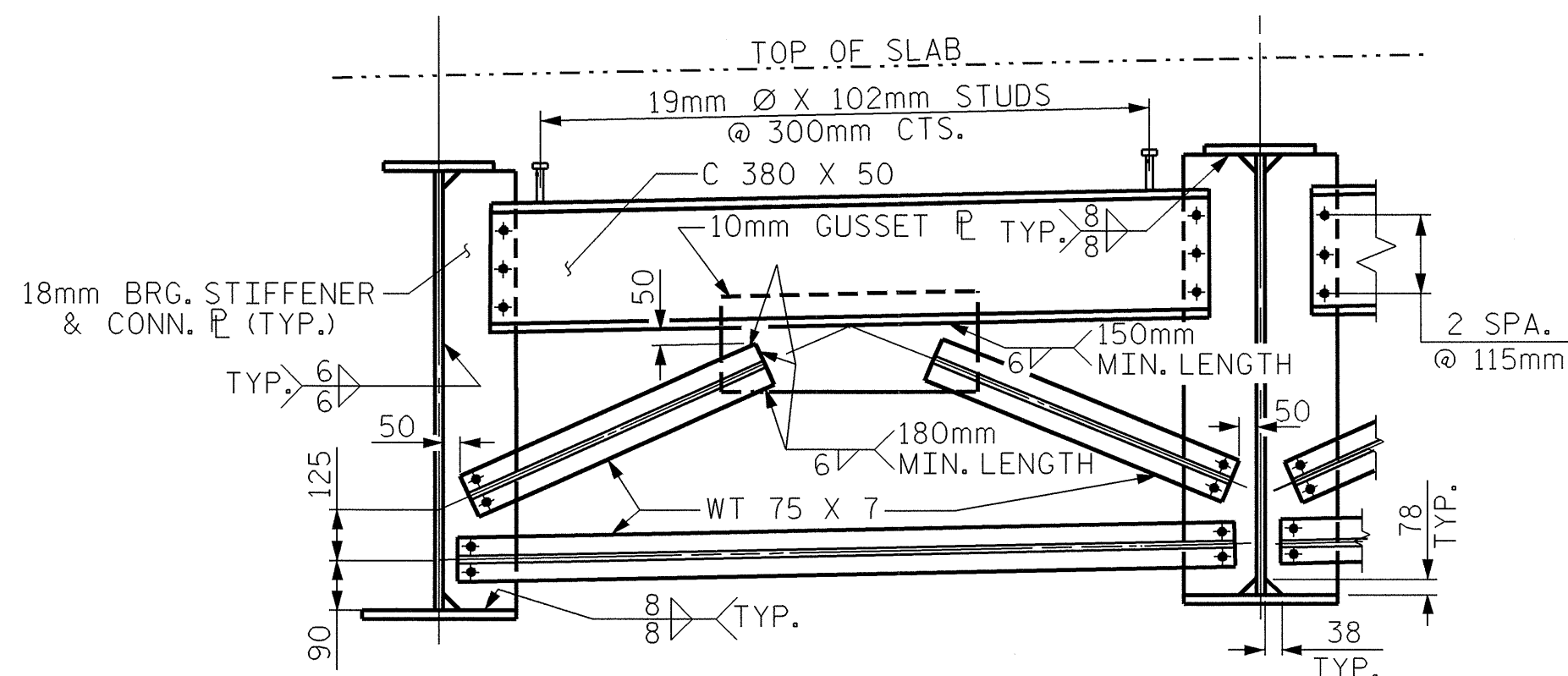
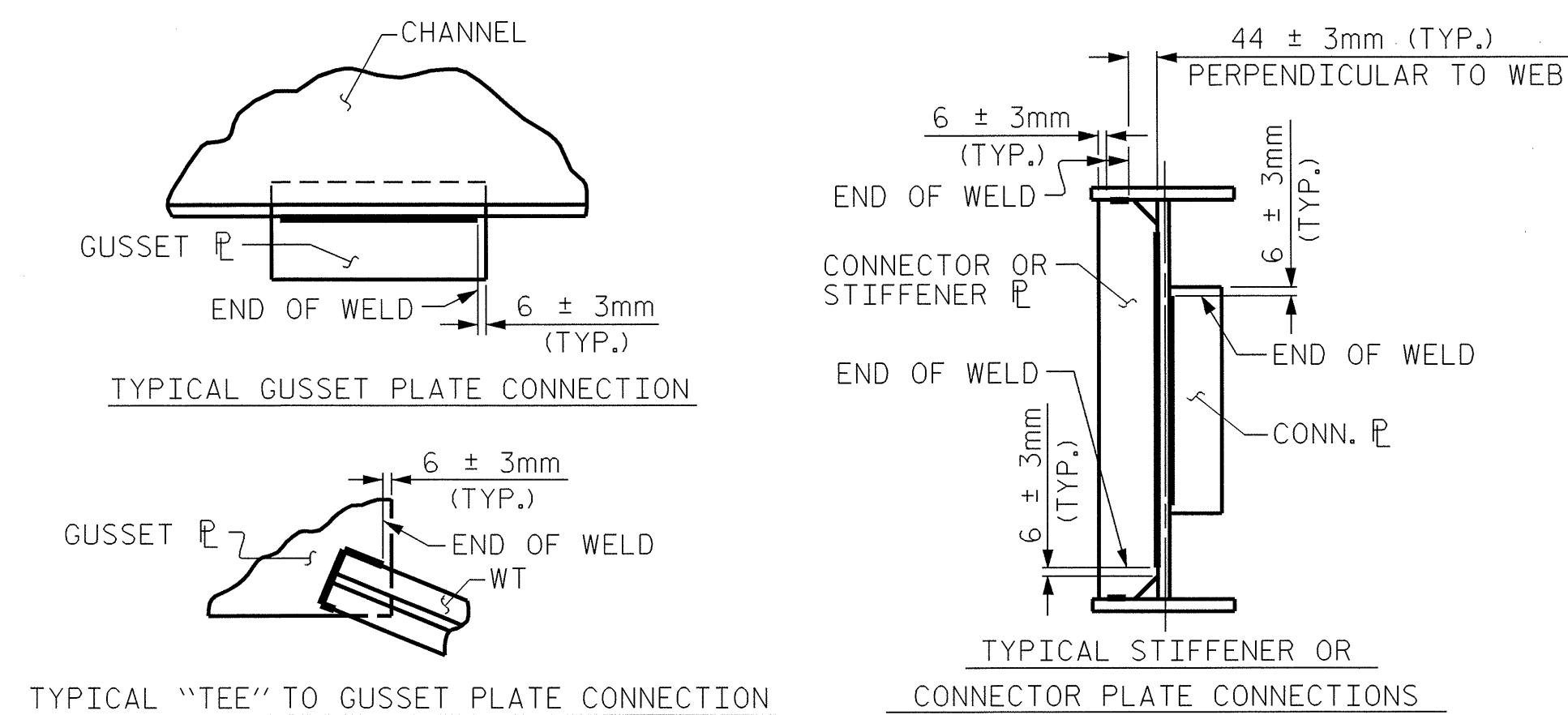


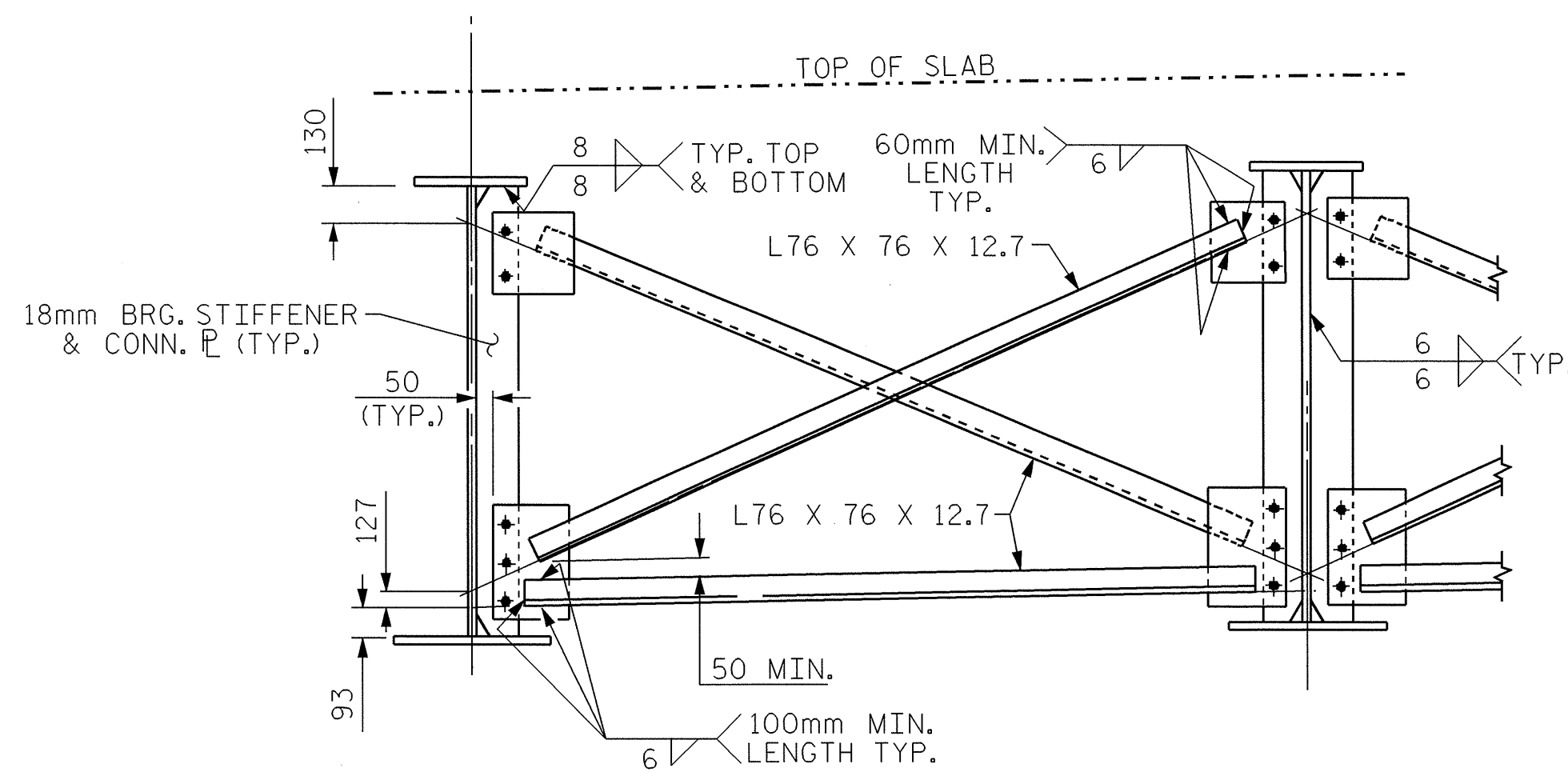
TYPICAL INTERMEDIATE CROSSFRAME



TYPICAL BENT CROSSFRAME

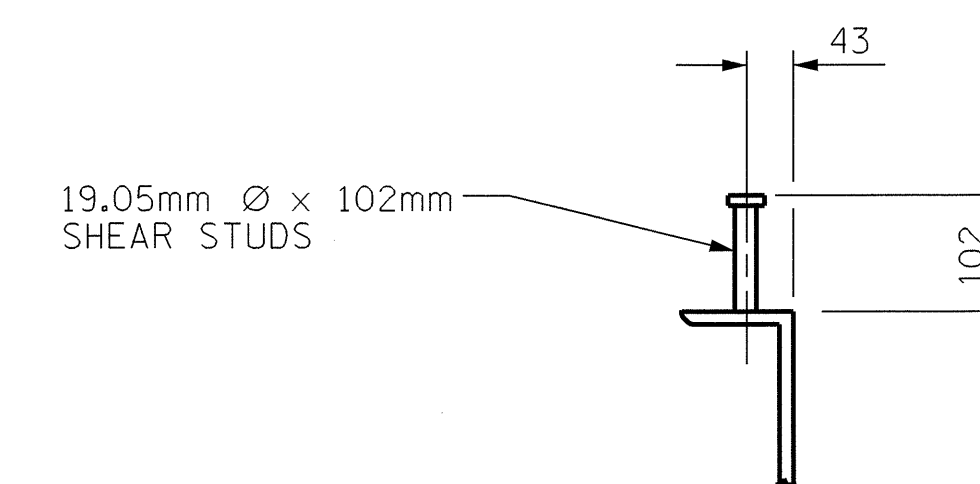


WELD TERMINATION DETAILS

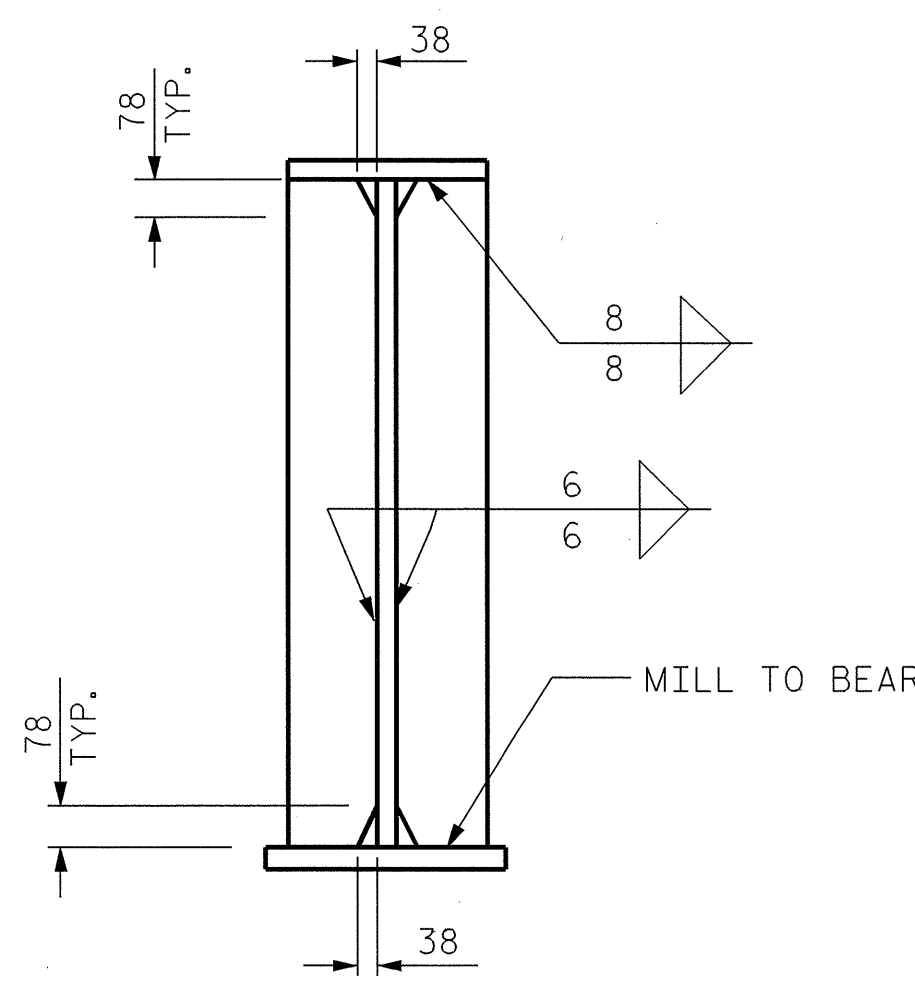


OPTIONAL INTERMEDIATE CROSSFRAME

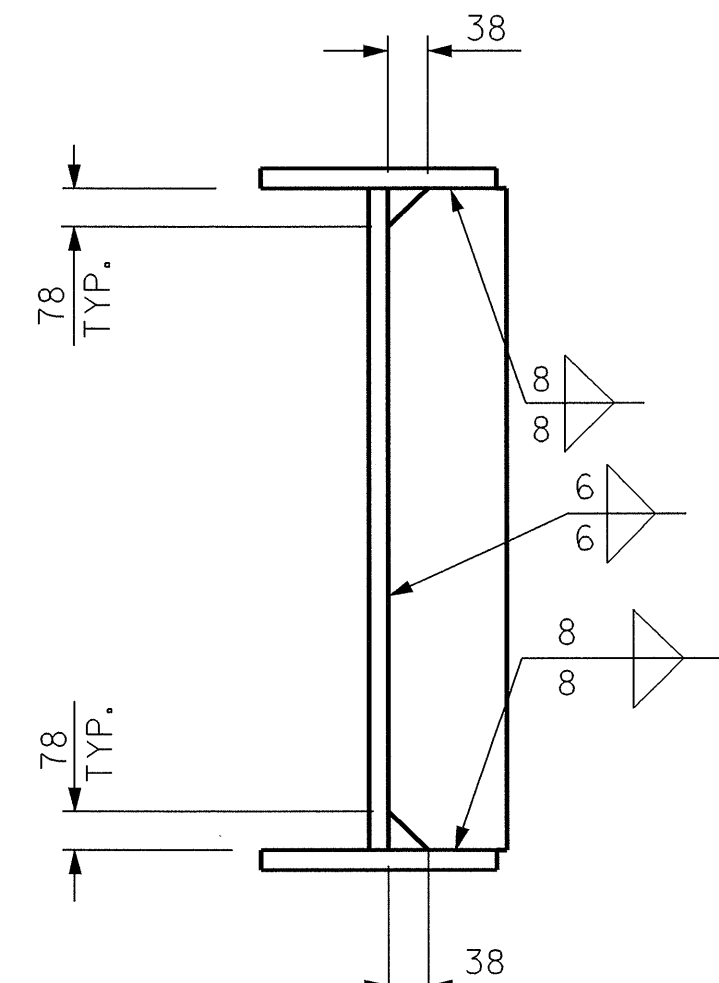
AT THE CONTRACTOR'S OPTION, THE DIAPHRAGM WITH THE WELDED GUSSET PLATES MAY BE USED IN LIEU OF THE DIAPHRAGM WITH BOLTED ANGLES AT NO ADDITIONAL COST TO THE DEPARTMENT.



SHEAR STUD DETAILS



BEARING STIFFENER



CONNECTOR PLATE

PROJECT NO. R-2911A
IREDELL COUNTY
 STATION: 41+59.472 -L-

SHEET 2 OF 2

STATE OF NORTH CAROLINA					SHEET NO. S-68
DEPARTMENT OF TRANSPORTATION RALEIGH					
SUPERSTRUCTURE					
STRUCTURAL STEEL DETAILS					
(LEFT LANE)					
REVISIONS					
NO.	BY:	DATE:	NO.	BY:	DATE:
1			3		
2			4		
TOTAL SHEETS					106

Seal and signature of Douglas Rickley, North Carolina Professional Engineer, Seal 20724, dated 3/19/04.

DRAWN BY : M.K. BEARD DATE : 01/14/04
 CHECKED BY : K.D. LAYNE DATE : 02/05/04