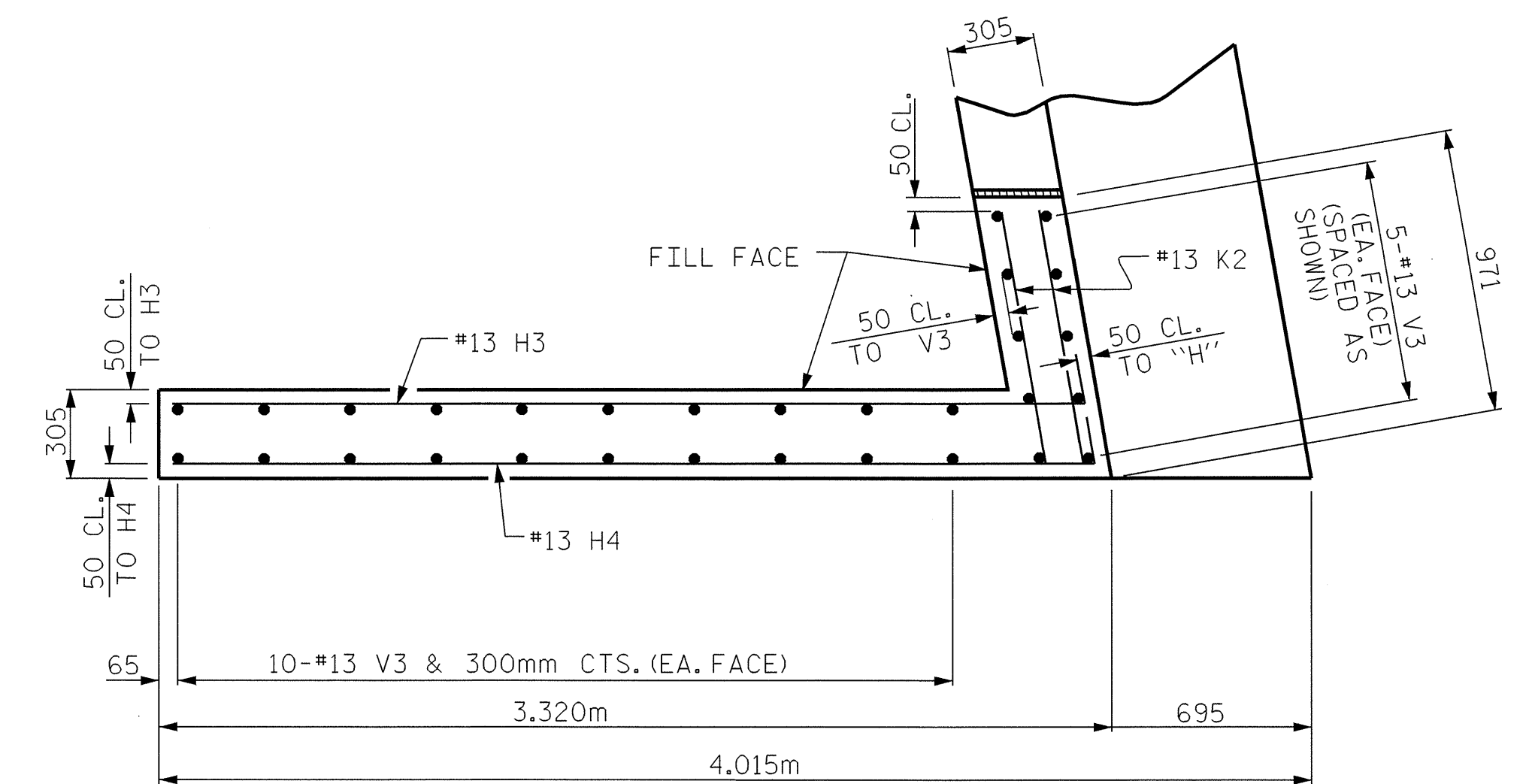
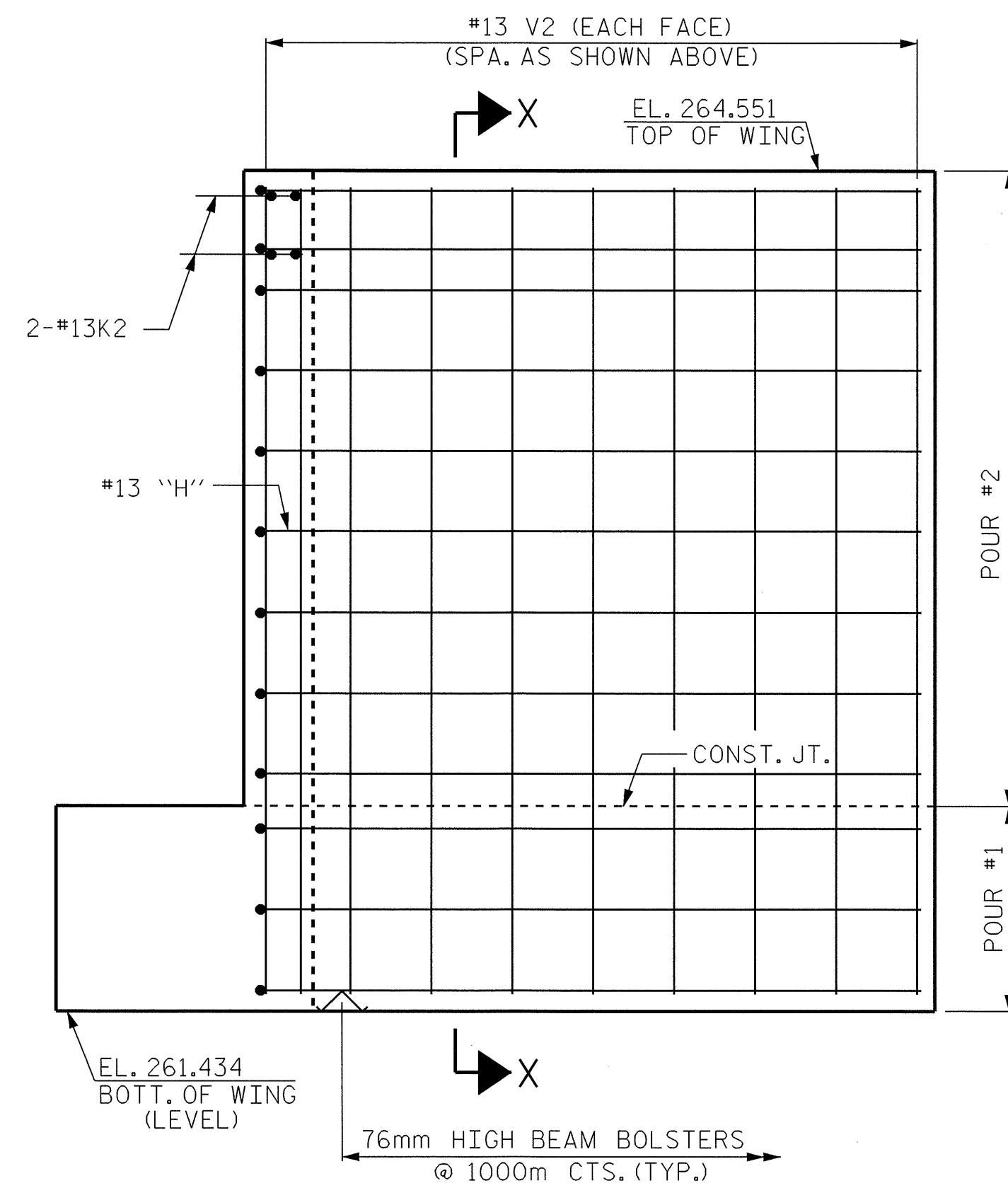


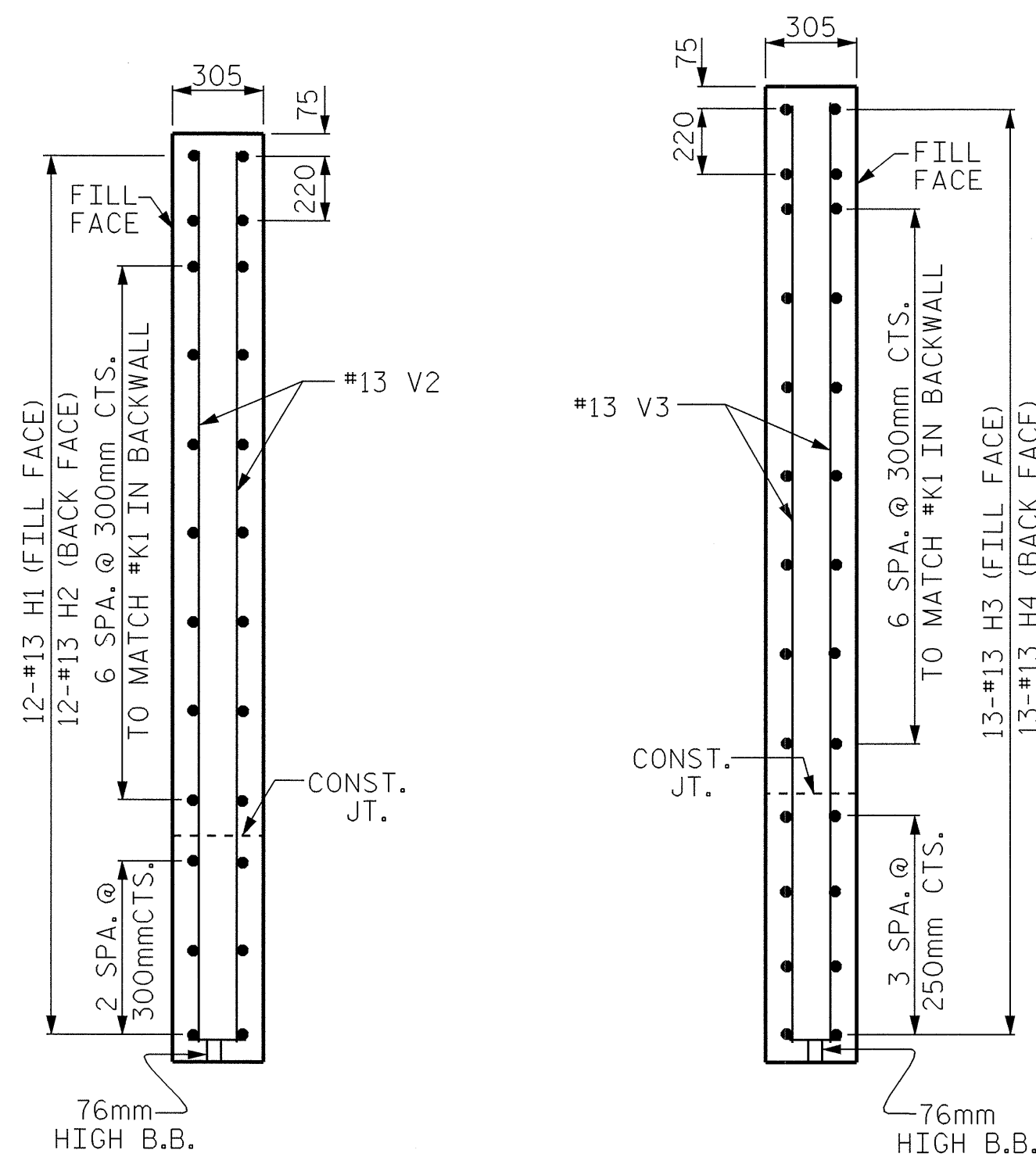
PLAN LEFT WING - W1



PLAN RIGHT WING - W2

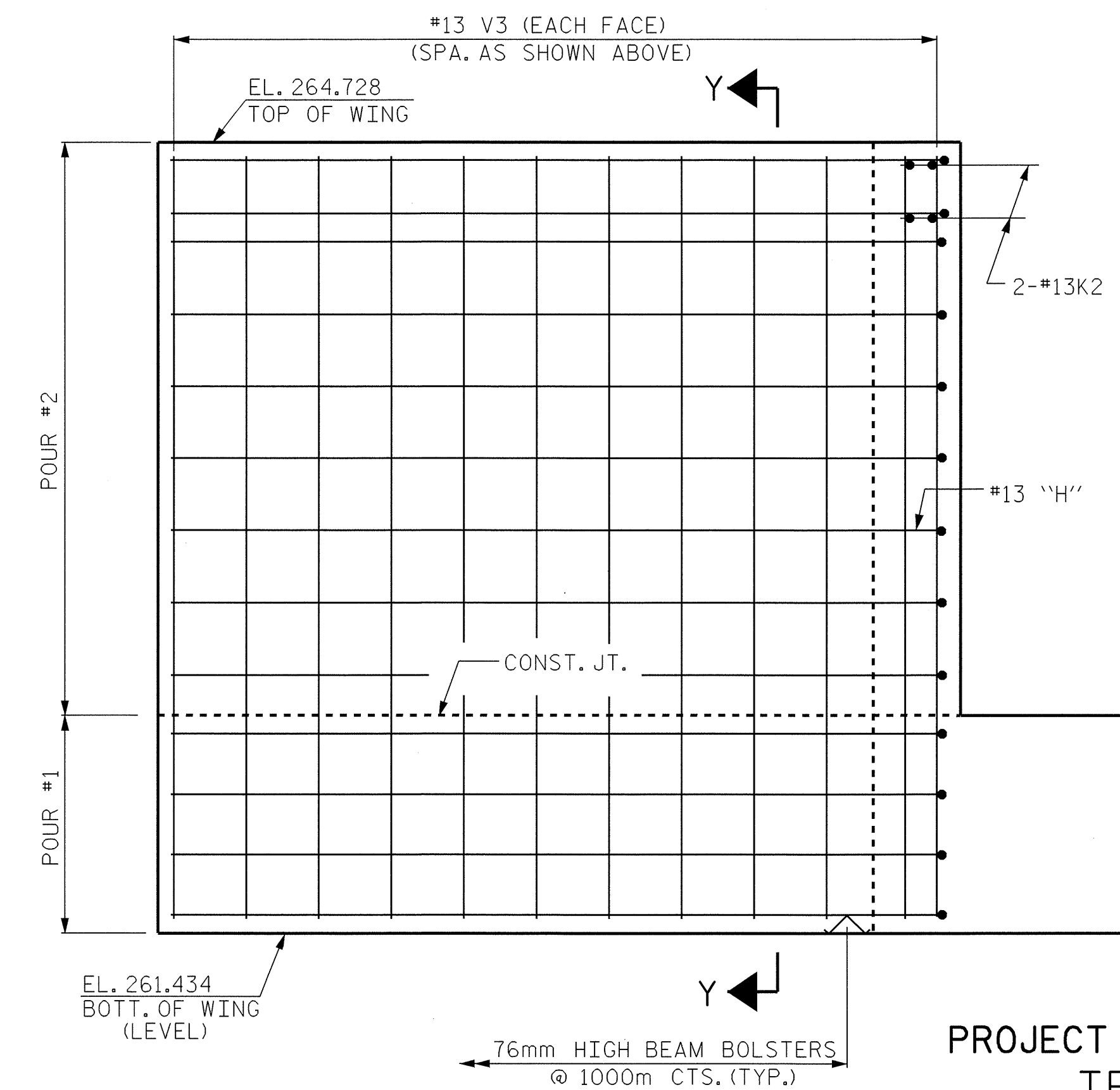


ELEVATION LEFT WING - W1



SECTION X-X

SECTION Y-Y



ELEVATION RIGHT WING - W2

PROJECT NO. R-2911A
IREDELL COUNTY
 STATION: 41+59.472 -L-

SHEET 2 OF 3

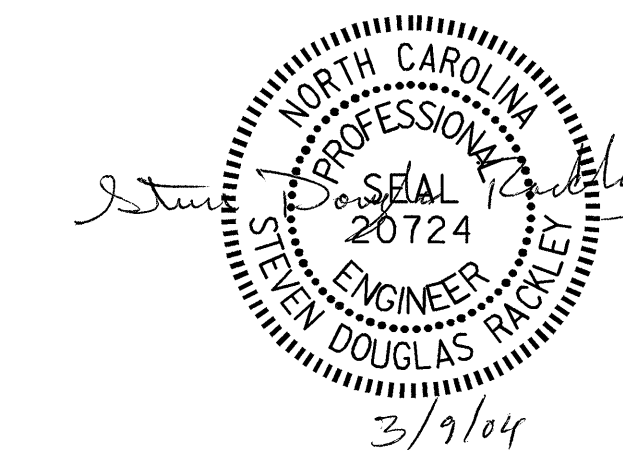
STATE OF NORTH CAROLINA
 DEPARTMENT OF TRANSPORTATION
 RALEIGH

SUBSTRUCTURE
 END BENT #1

(LEFT LANE)

REVISIONS

NO.	DATE	NO.	BY	DATE	SHEET NO.
1		3			S-74
2		4			TOTAL SHEETS 106



DRAWN BY: DAN PLATICA DATE: 01/08/04
 CHECKED BY: M. K. BEARD DATE: 01/30/04

09-MAR-2004 13:28
 W:\squads\R2911a\Final Plans\Str3\R-2911A.sd_EBL.03.dgn
 klayne

STR. #3