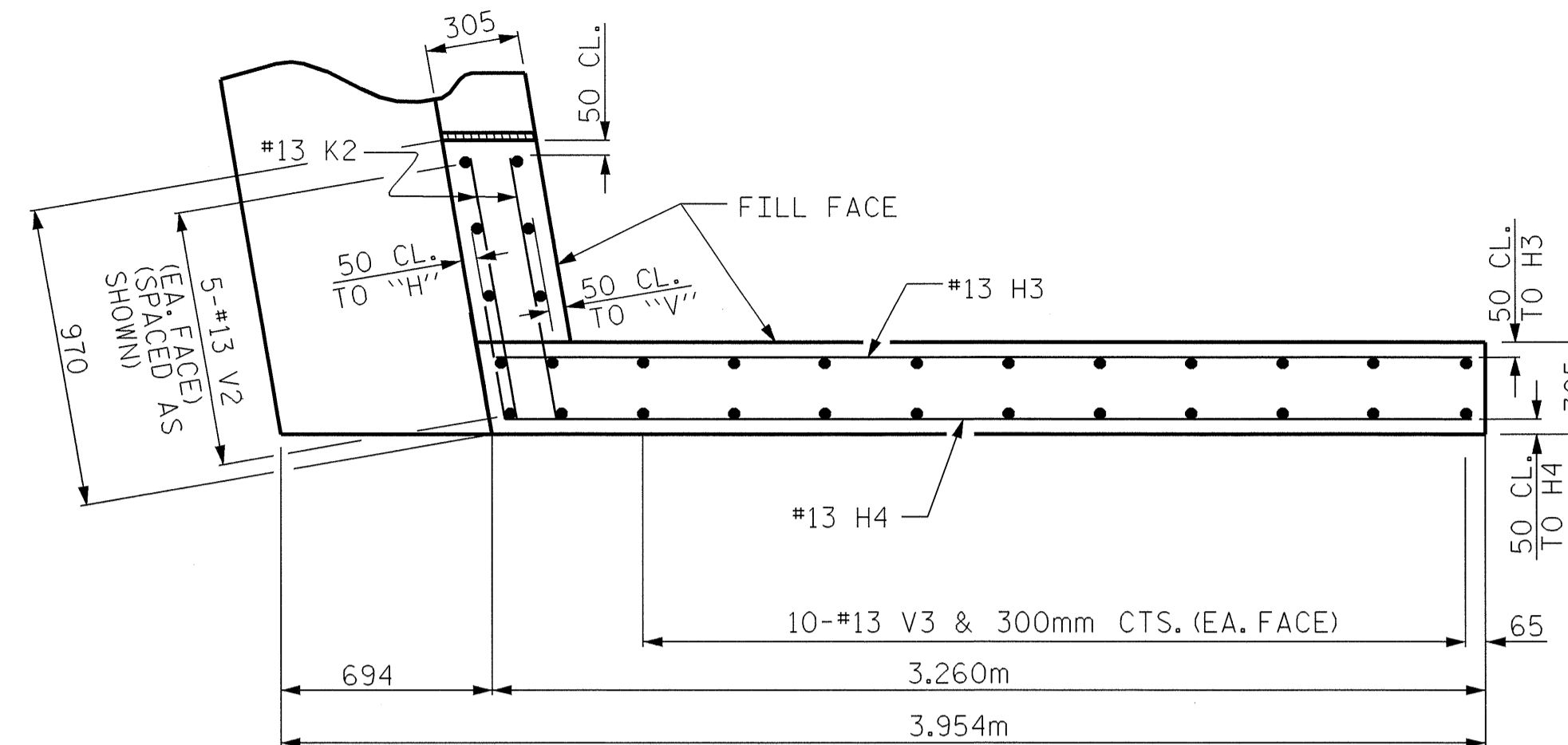
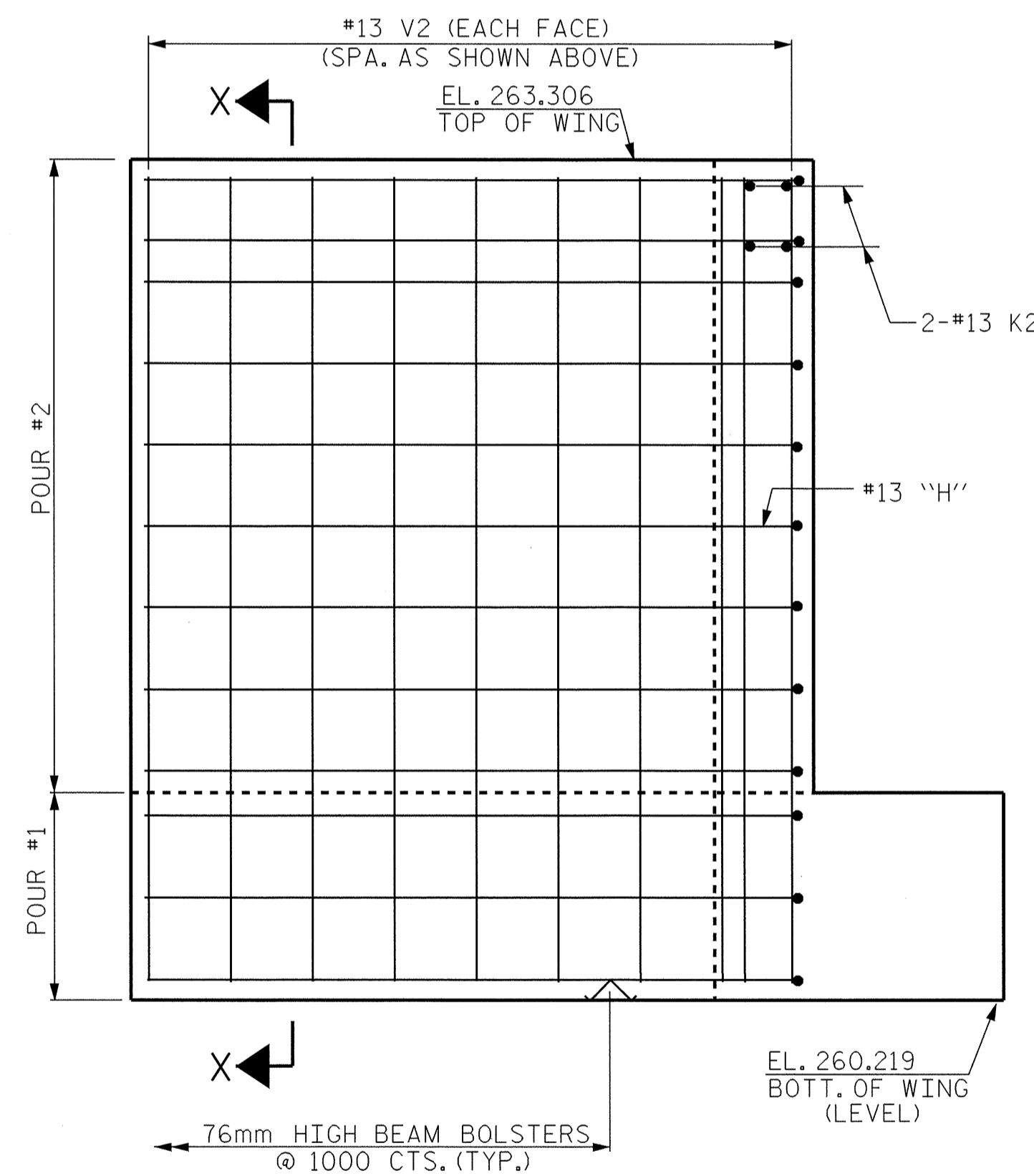


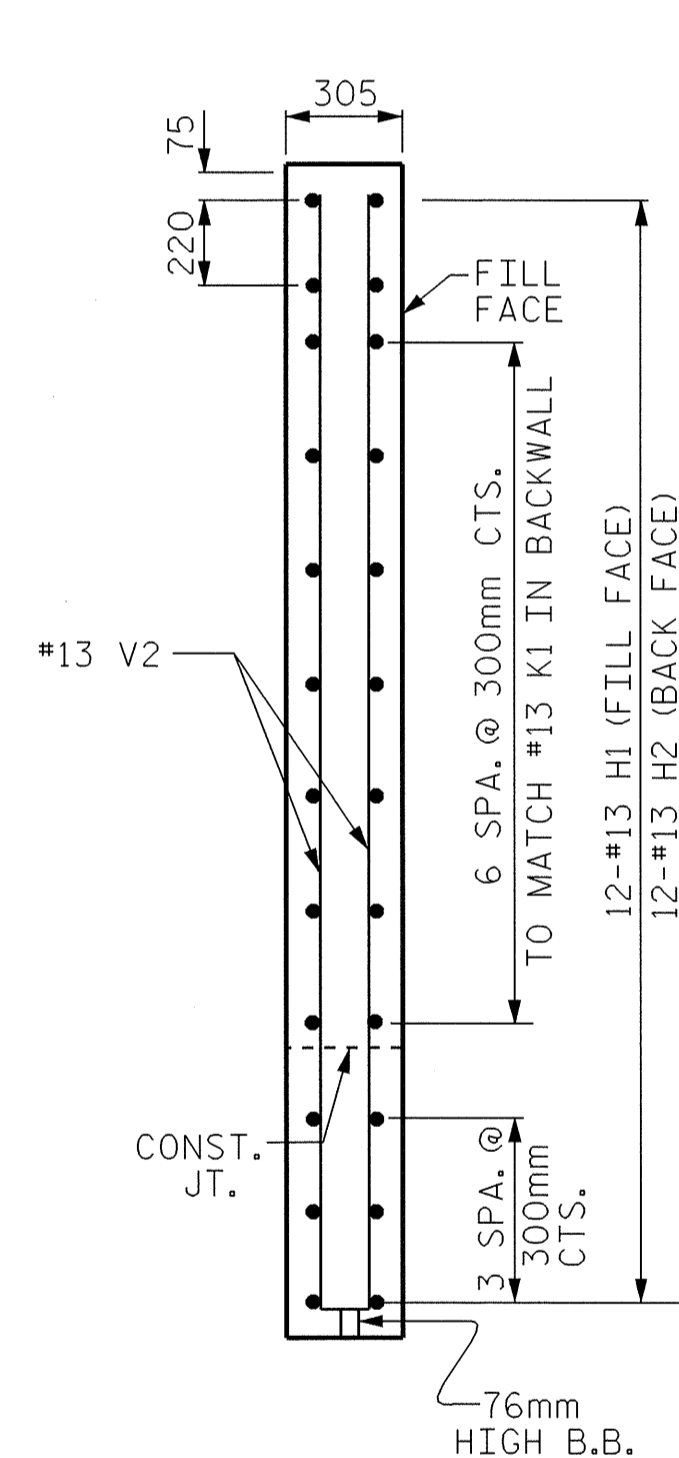
PLAN LEFT WING - W1



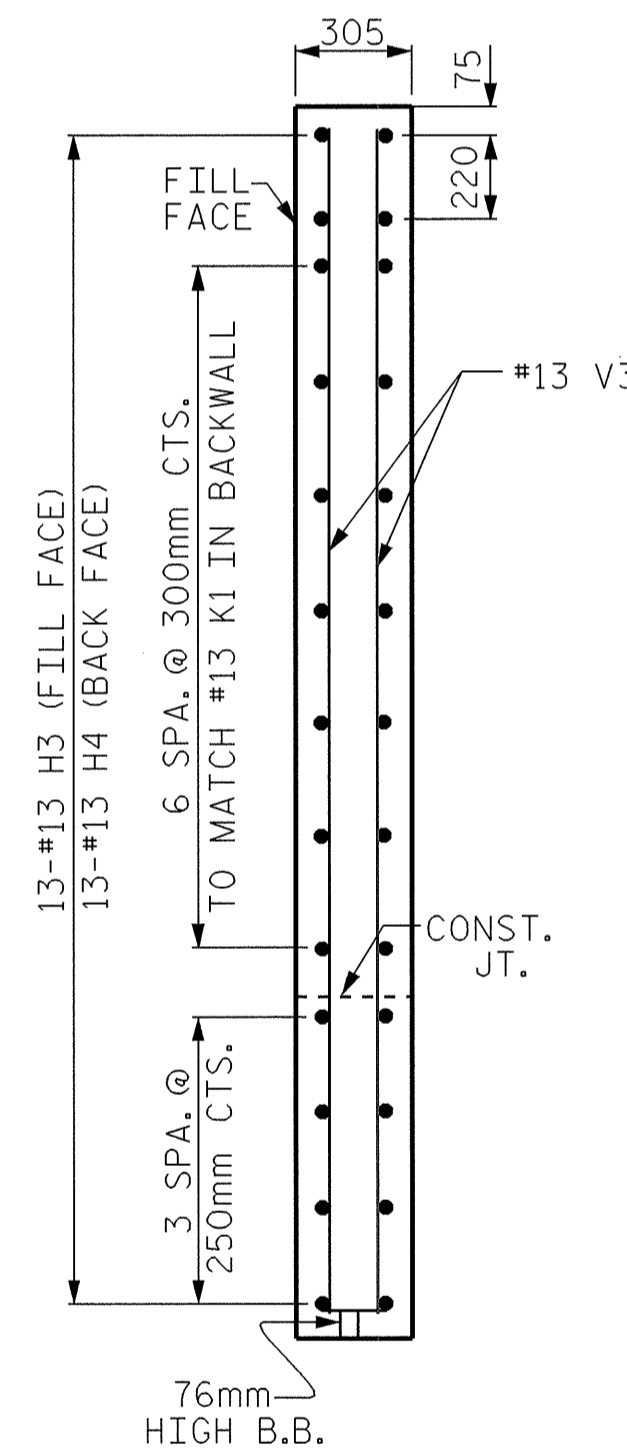
PLAN RIGHT WING - W2



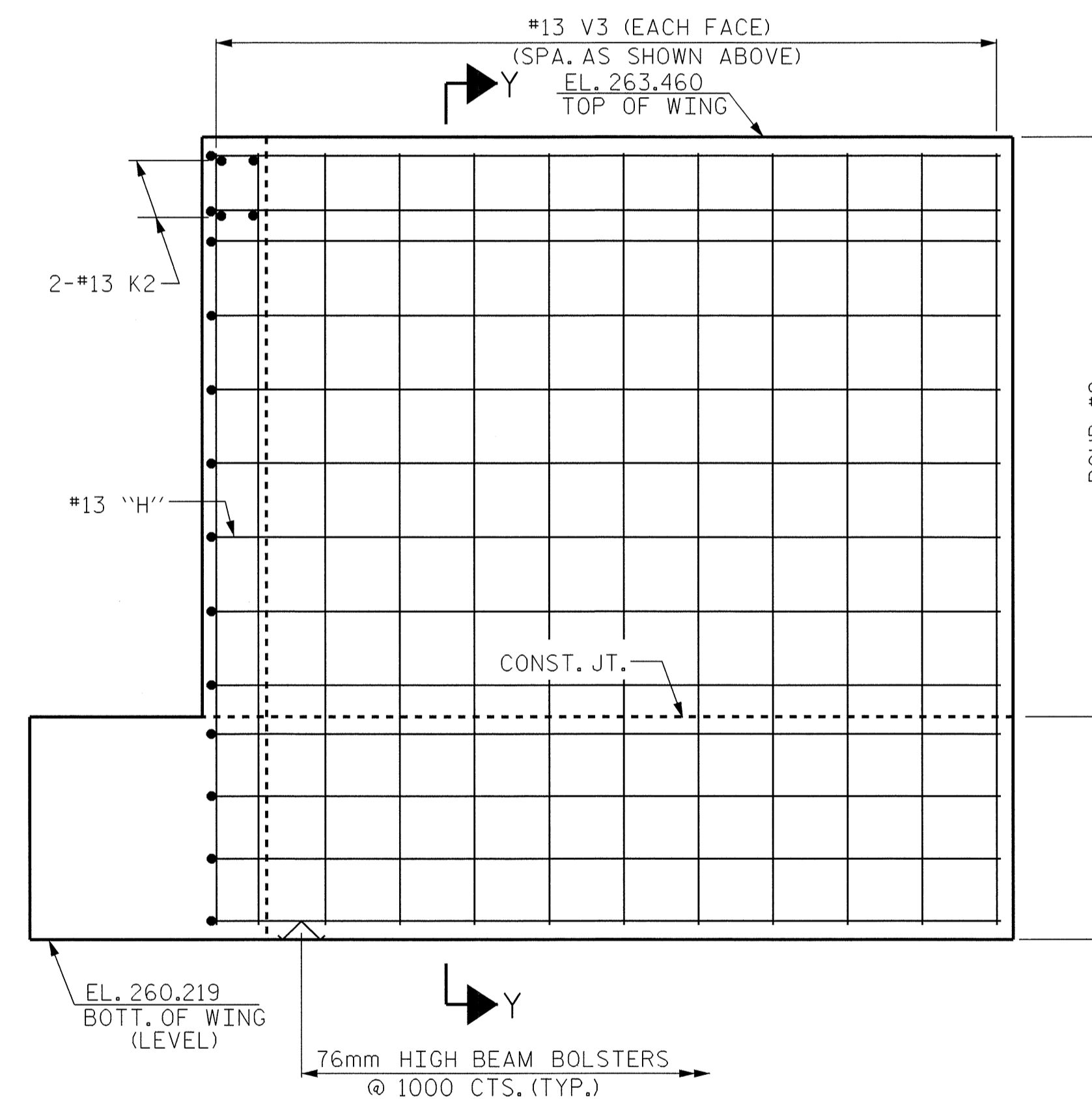
ELEVATION LEFT WING - W1



SECTION X-X



SECTION Y-Y



ELEVATION RIGHT WING - W2

PROJECT NO. R-2911A  
IREDELL COUNTY  
 STATION: 41+59.472 -L-

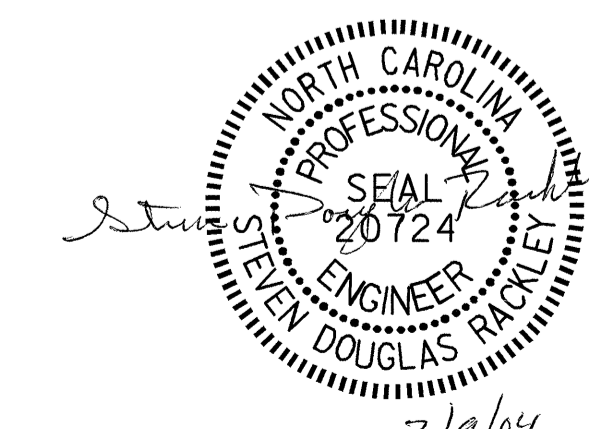
SHEET 2 OF 3

STATE OF NORTH CAROLINA  
 DEPARTMENT OF TRANSPORTATION  
 RALEIGH

SUBSTRUCTURE  
 END BENT #2

(LEFT LANE)

REVISIONS				SHEET NO.	
NO.	BY:	DATE:	NO.	BY:	DATE:
1			3		
2			4		
					TOTAL SHEETS
					106



DRAWN BY: DAN PLATICA DATE: 01/14/04  
 CHECKED BY: M. K. BEARD DATE: 02/04/04

09-MAR-2004 13:28  
 W:\squads\R2911a\Final Plans\Str3\R-2911A.sd\_EB2\_03.dgn  
 klayne

STR. #3