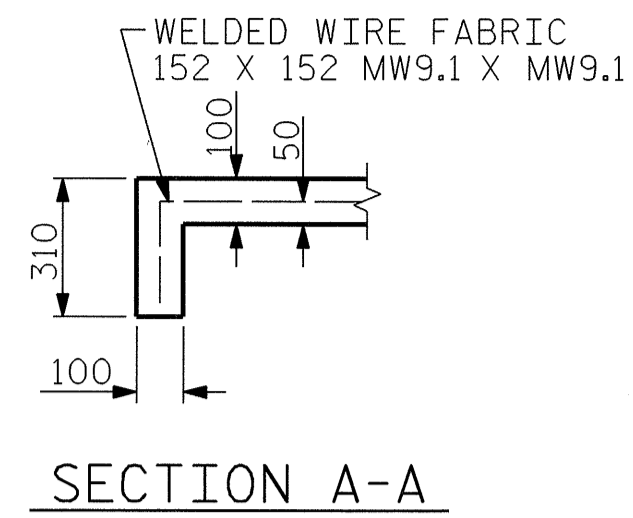
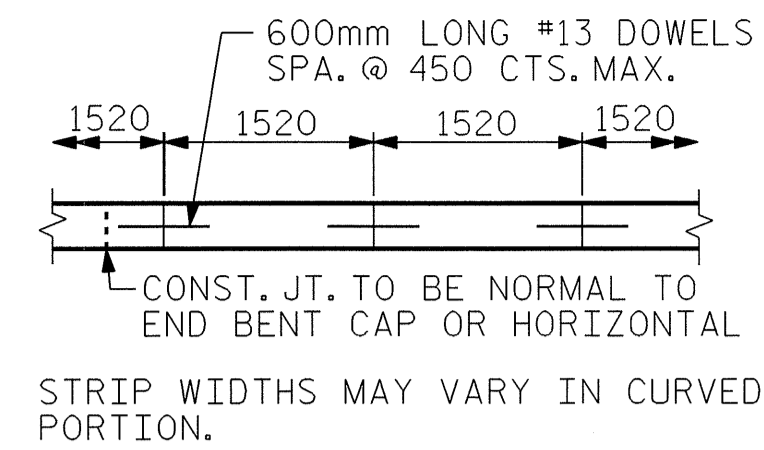


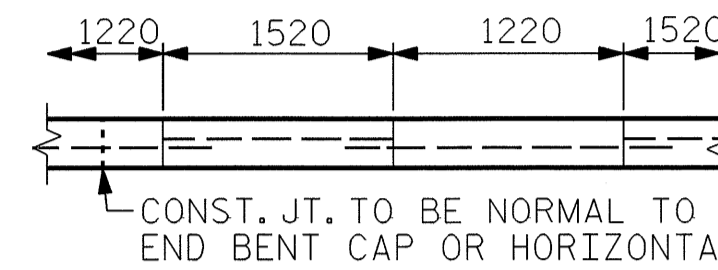
SECTION ALONG C ROADWAY WHEN FILL CATCHES IN DITCH



SECTION A-A



POURING DETAIL



POUR A 1220mm STRIP FIRST. STRIP WIDTHS MAY VARY IN CURVED PORTION.

OPTIONAL POURING DETAIL

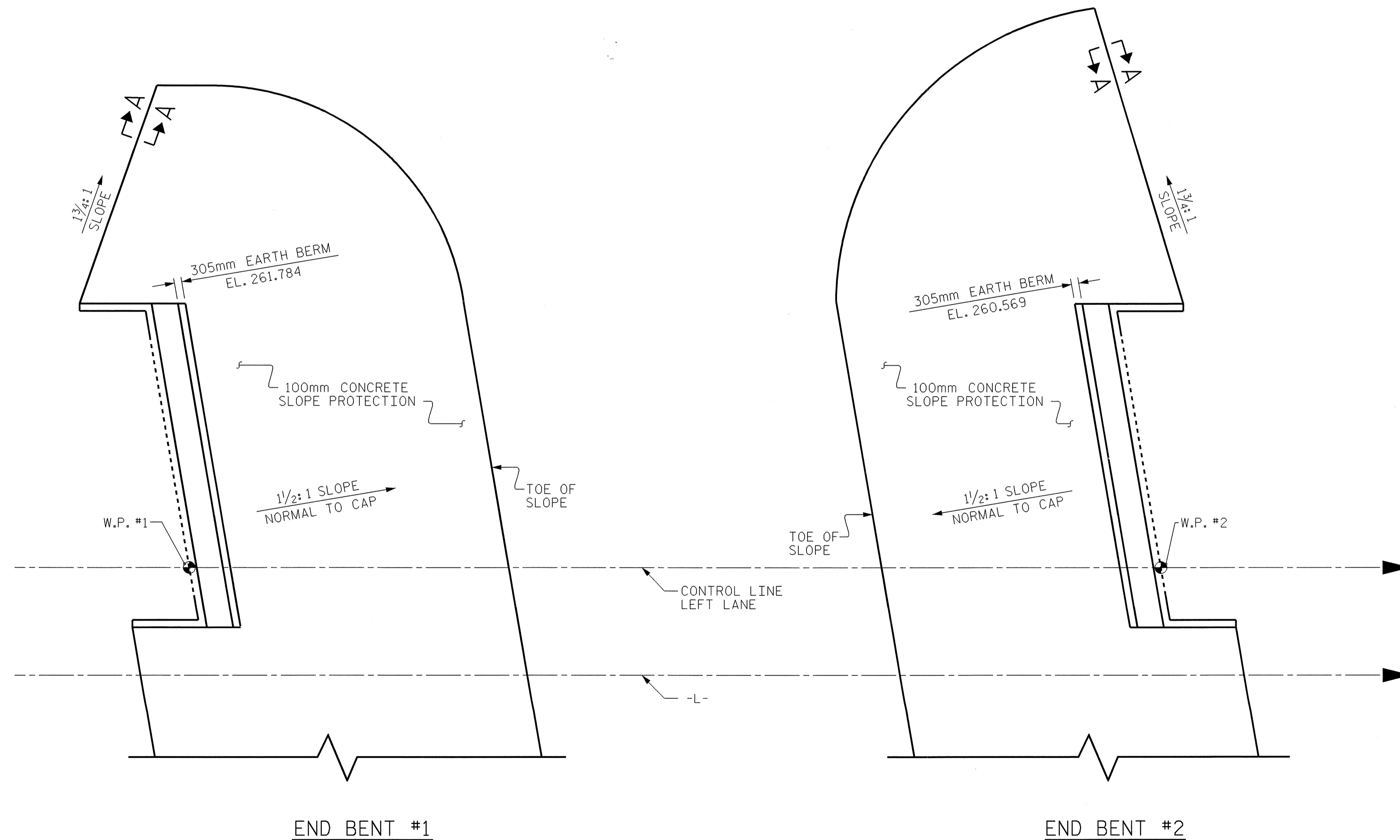
GENERAL NOTES

SLOPE PROTECTION SHALL BE PLACED UNDER THE ENDS OF THE BRIDGE AS SHOWN IN THE DETAILS. METHOD OF MEASUREMENT AND BASIS OF PAYMENT SHALL BE AS PRESCRIBED IN SECTION 462 OF THE STANDARD SPECIFICATIONS.

SLOPE PROTECTION SHALL CONSIST OF 100mm POURED-IN-PLACE CONCRETE PAVING AS SHOWN IN THE DETAILS ON THIS SHEET. CONCRETE SHALL BE CLASS "B". THE CONCRETE SURFACE SHALL BE FLOATED WITH A WOODEN FLOAT AND FINISHED. WELDED WIRE FABRIC REINFORCING SHALL BE 152 X 152 - W9.1 X W9.1, 1520mm WIDE. SLOPE PROTECTION SHALL BE POURED IN 1520mm STRIPS AS SHOWN IN THE "POURING DETAIL" WITH 600mm LONG #13 BARS PLACED ALONG THE SLOPE BETWEEN STRIPS AT 450mm MAXIMUM SPACING. SLOPE PROTECTION MAY BE POURED IN ALTERNATE 1220mm AND 1520mm STRIPS AS SHOWN IN THE "OPTIONAL POURING DETAIL" WITH ADJACENT RUNS OF WELDED WIRE FABRIC LAPPING AT LEAST 152mm. THE COST OF THE WELDED WIRE FABRIC AND #13 BARS, IF USED, SHALL BE INCLUDED IN THE CONTRACT UNIT PRICE BID PER SQUARE METER FOR SLOPE PROTECTION.

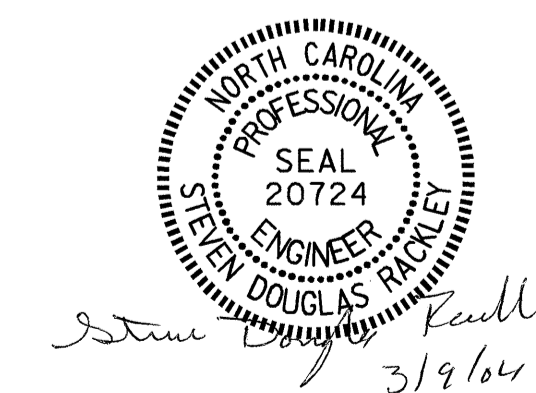
BRIDGE @ STA. 41+59.472 -L- LEFT LANE	100mm SLOPE PROTECTION	* WELDED WIRE FABRIC 1520mm WIDE
	SQUARE METERS	APPROX. METERS
END BENT #1	435	300
END BENT #2	454	313

\* QUANTITY SHOWN IS BASED ON 1520mm POURS.



PLAN OF SLOPE PROTECTION

PROJECT NO. R-2911A  
 IREDELL COUNTY  
 STATION: 41+59.472 -L-



STATE OF NORTH CAROLINA DEPARTMENT OF TRANSPORTATION RALEIGH					
SLOPE PROTECTION DETAILS					
(LEFT LANE)					
REVISIONS					
NO.	BY:	DATE:	NO.	BY:	DATE:
1			3		
2			4		

SHEET NO.				
S-79				
TOTAL SHEETS				
106				

ASSEMBLED BY : J.P. ADAMS	DATE : 12/11/03
CHECKED BY : A.R. CHESSON	DATE : 2/12/04
DRAWN BY : ELR 5/92	REV. 10/17/00 RWW/LES
CHECKED BY : GRP 6/92	REV. 7/10/01 LES/RDR
	REV. 5/17/03 RWW/JTE

09-MAR-2004 13:33  
 W:\squads\R2911a\Final Plans\Str3\R-2911A.sd.SP\_03.dgn  
 klayne