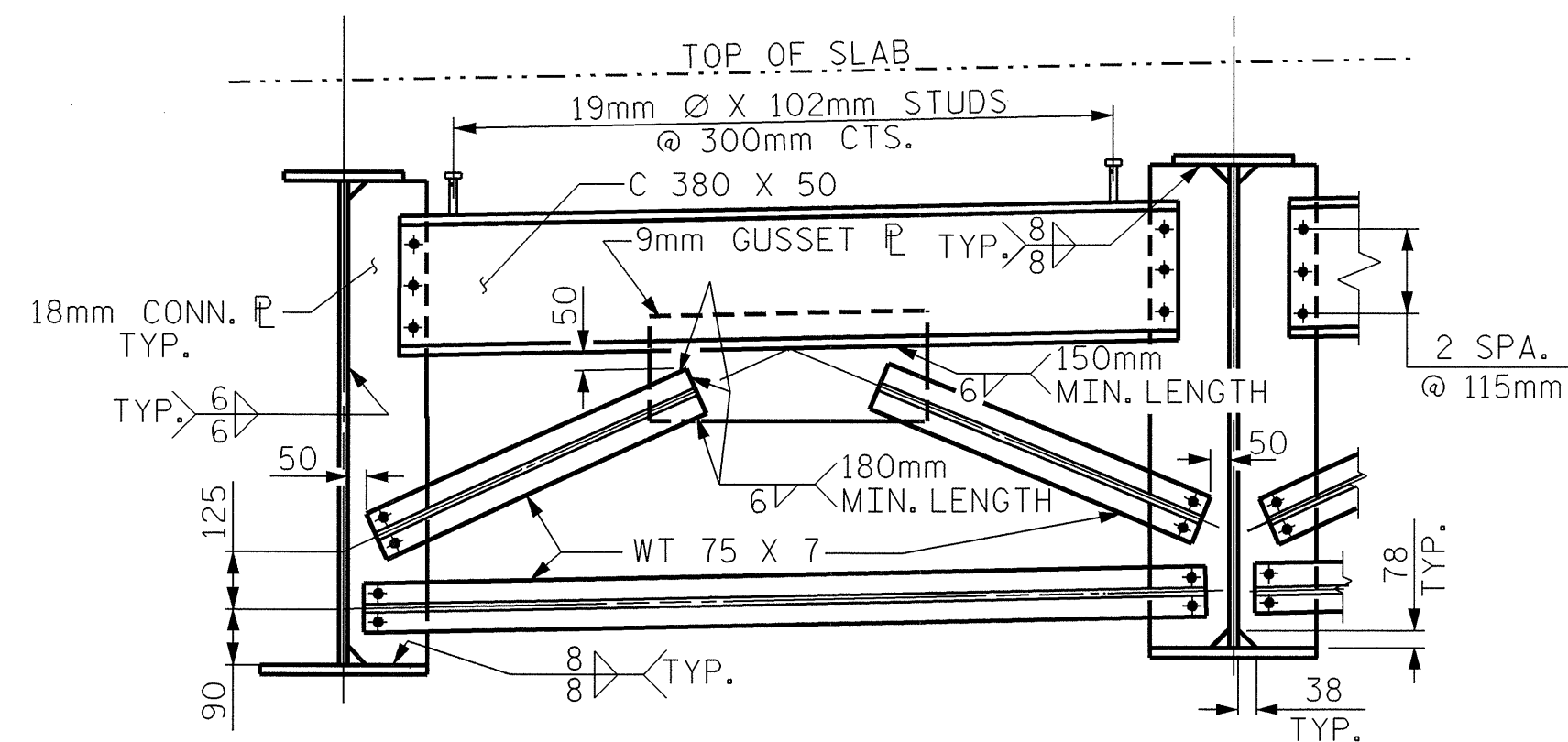
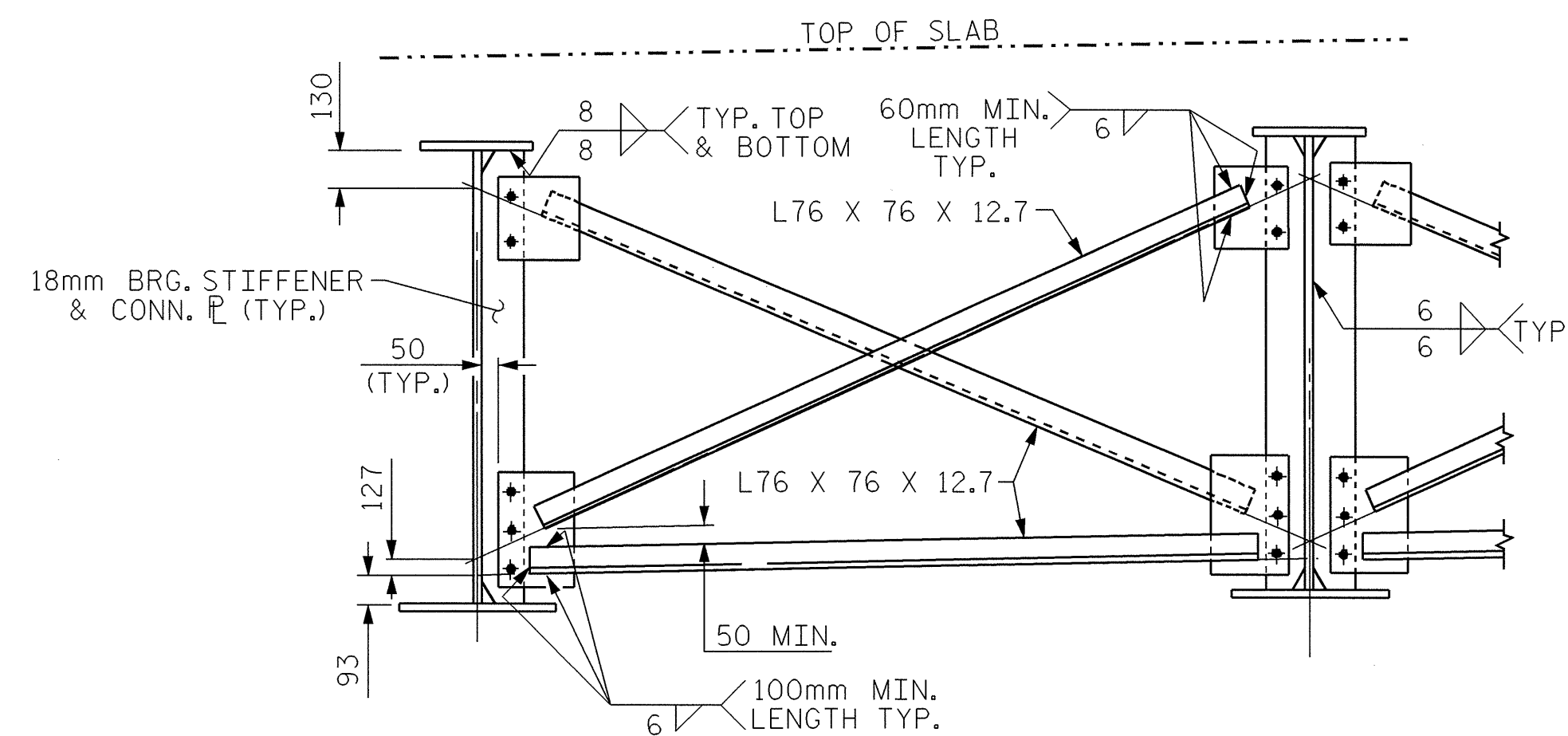


TYPICAL INTERMEDIATE CROSSFRAME

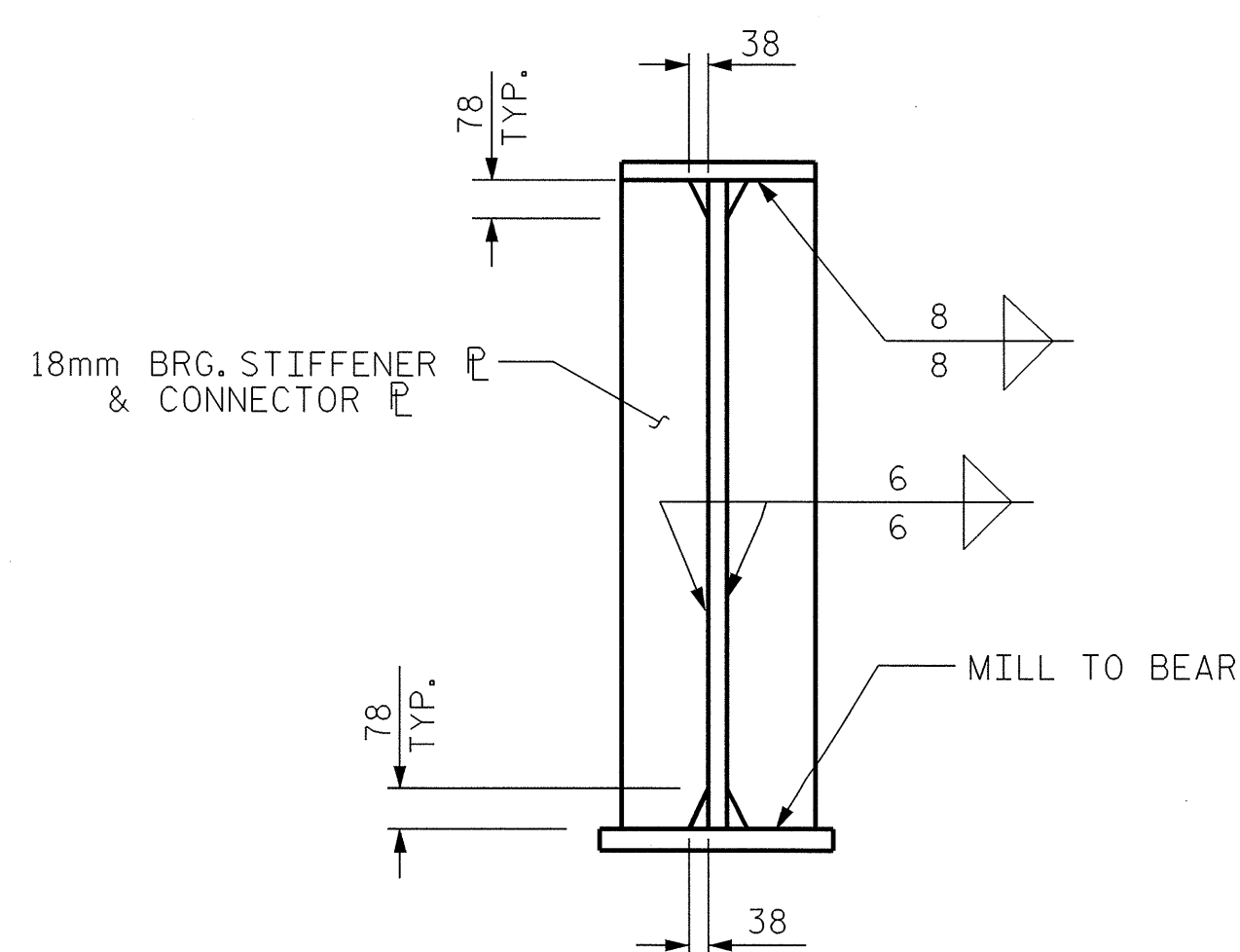


TYPICAL BENT CROSSFRAME

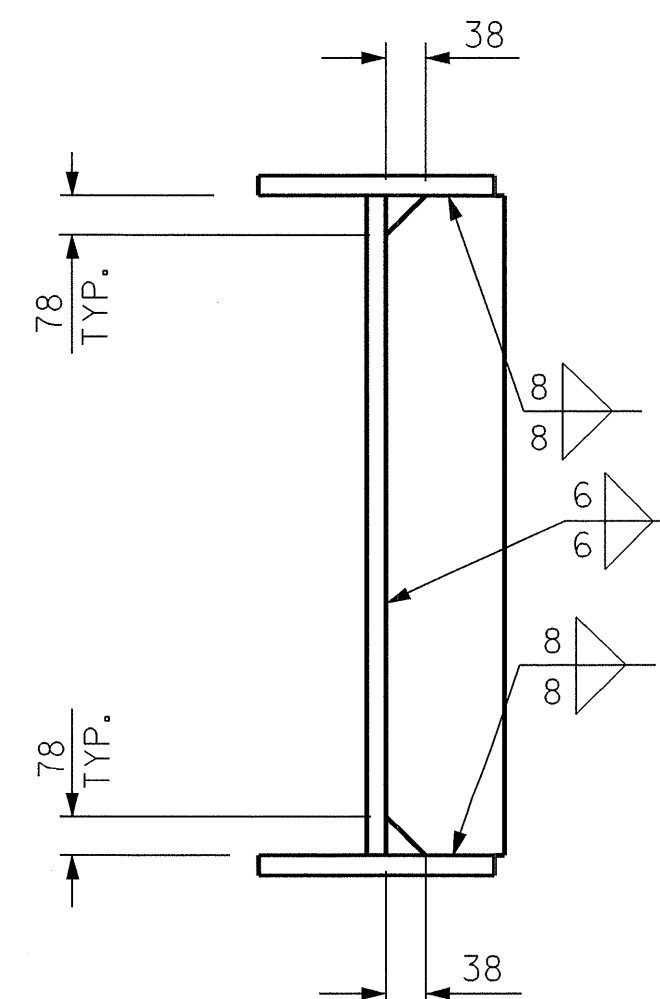


OPTIONAL INTERMEDIATE CROSSFRAME

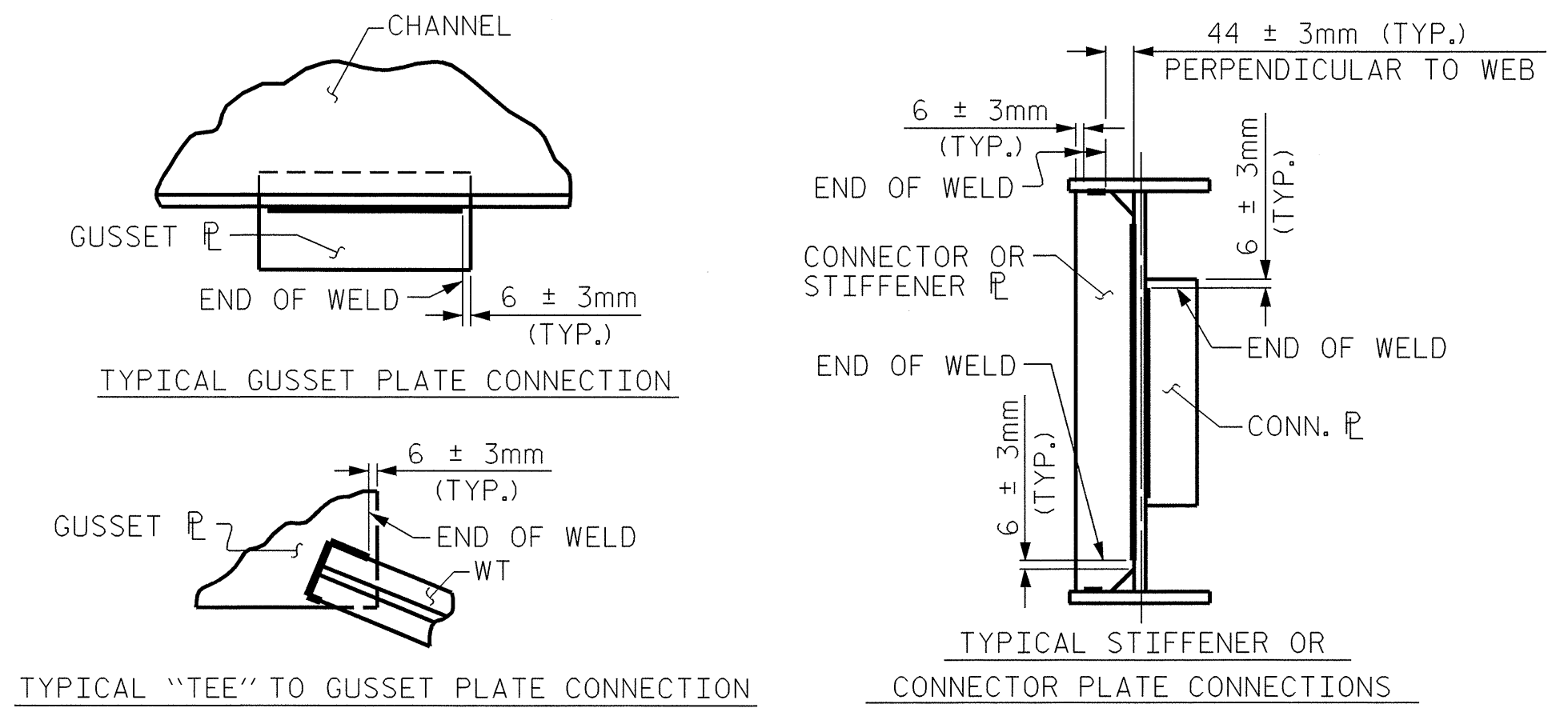
AT THE CONTRACTOR'S OPTION, THE DIAPHRAGM WITH THE WELDED GUSSET PLATES MAY BE USED IN LIEU OF THE DIAPHRAGM WITH BOLTED ANGLES AT NO ADDITIONAL COST TO THE DEPARTMENT.



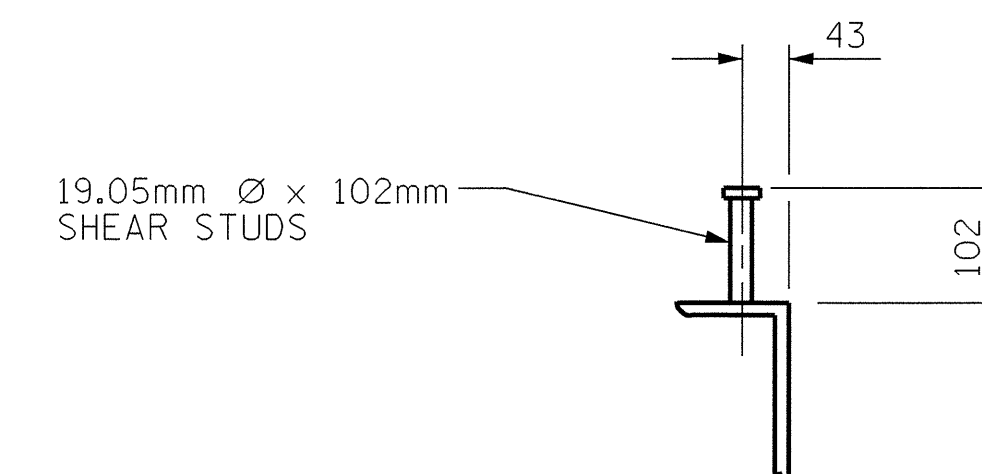
BEARING STIFFENER



CONNECTOR PLATE



WELD TERMINATION DETAILS



SHEAR STUD DETAILS

PROJECT NO. R-2911A
IREDELL COUNTY
 STATION: 41+59.472 -L-

SHEET 2 OF 2

STATE OF NORTH CAROLINA
 DEPARTMENT OF TRANSPORTATION
 RALEIGH

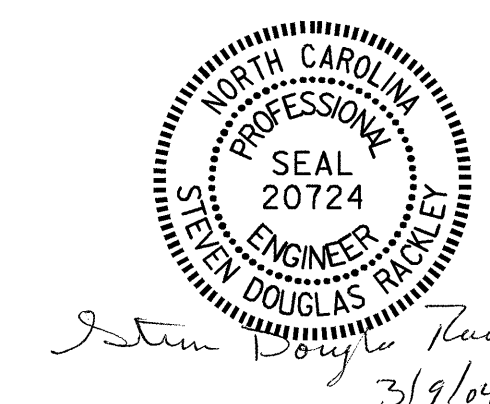
SUPERSTRUCTURE

STRUCTURAL STEEL
 DETAILS

(RIGHT LANE)

REVISIONS

NO.	BY:	DATE:	NO.	BY:	DATE:	SHEET NO.
1			3			S-92
2			4			TOTAL SHEETS 106



DRAWN BY: M.K. BEARD DATE: 01/21/04
 CHECKED BY: K.D. LAYNE DATE: 02/05/04

09-MAR-2004 13:45
 W:\squads\R2911a\Final Plans\Str 4\R-2911A_sd_SS_04.dgn
 klayne