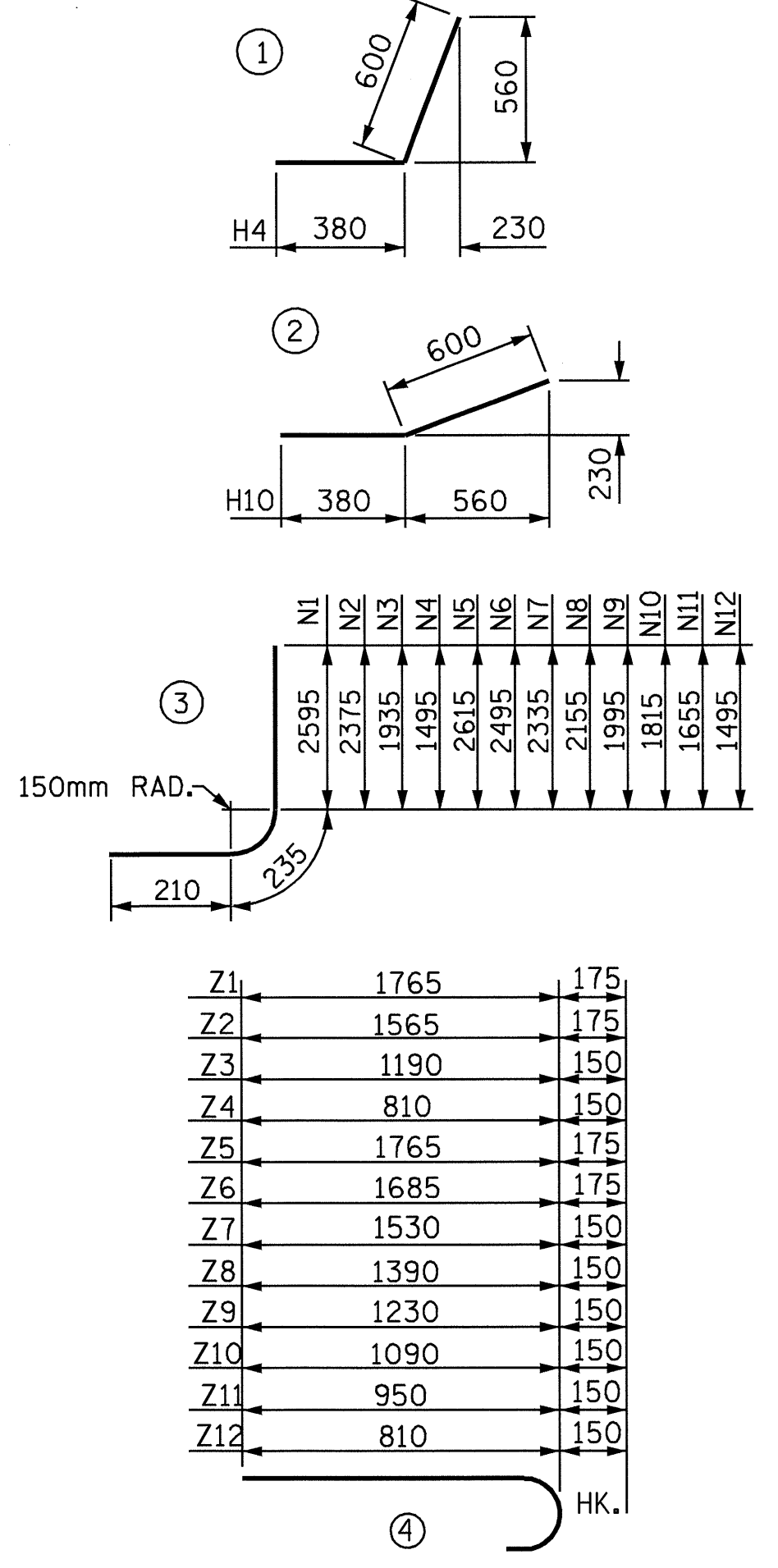


**BAR TYPES**

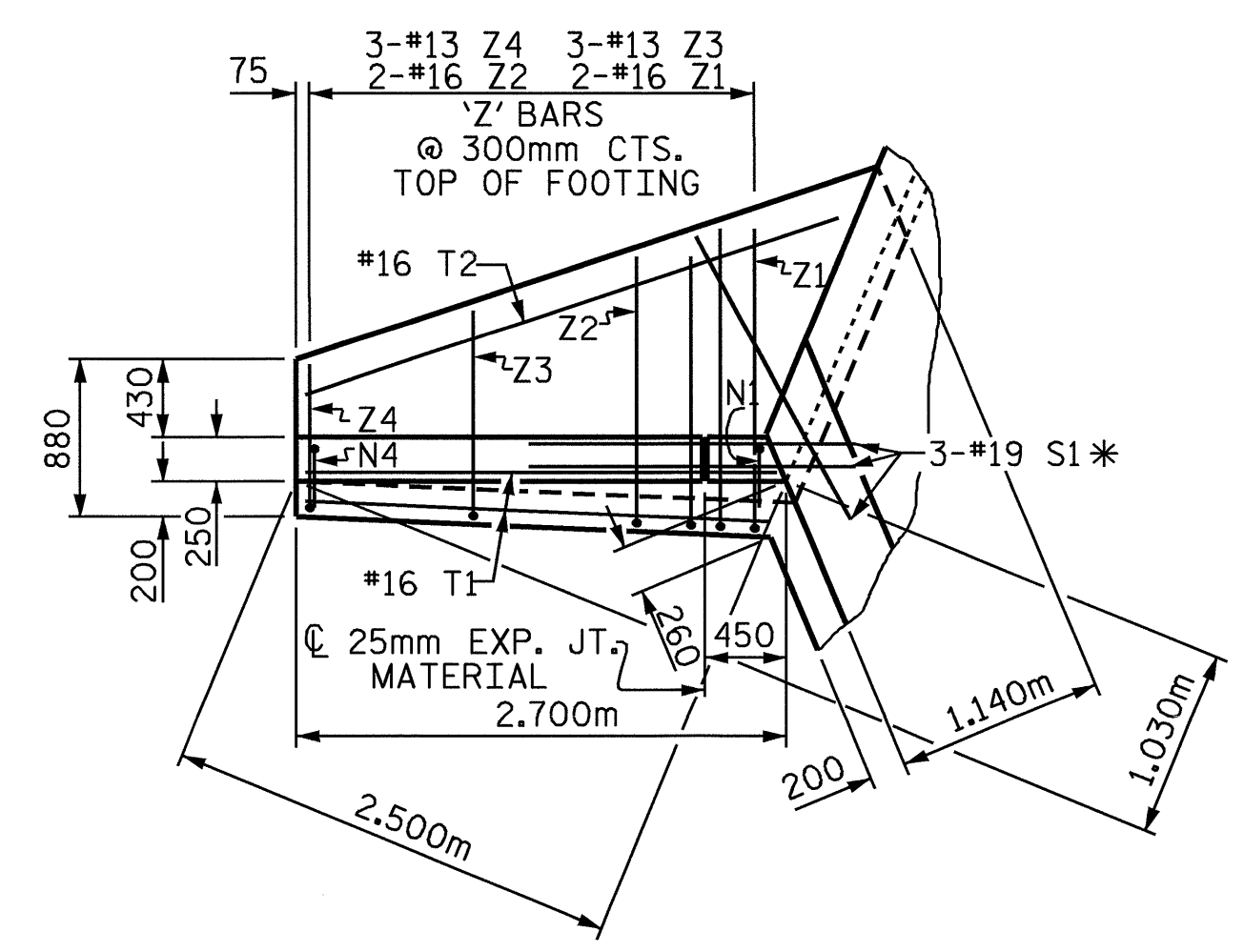
ALL BAR DIMENSIONS ARE OUT TO OUT.



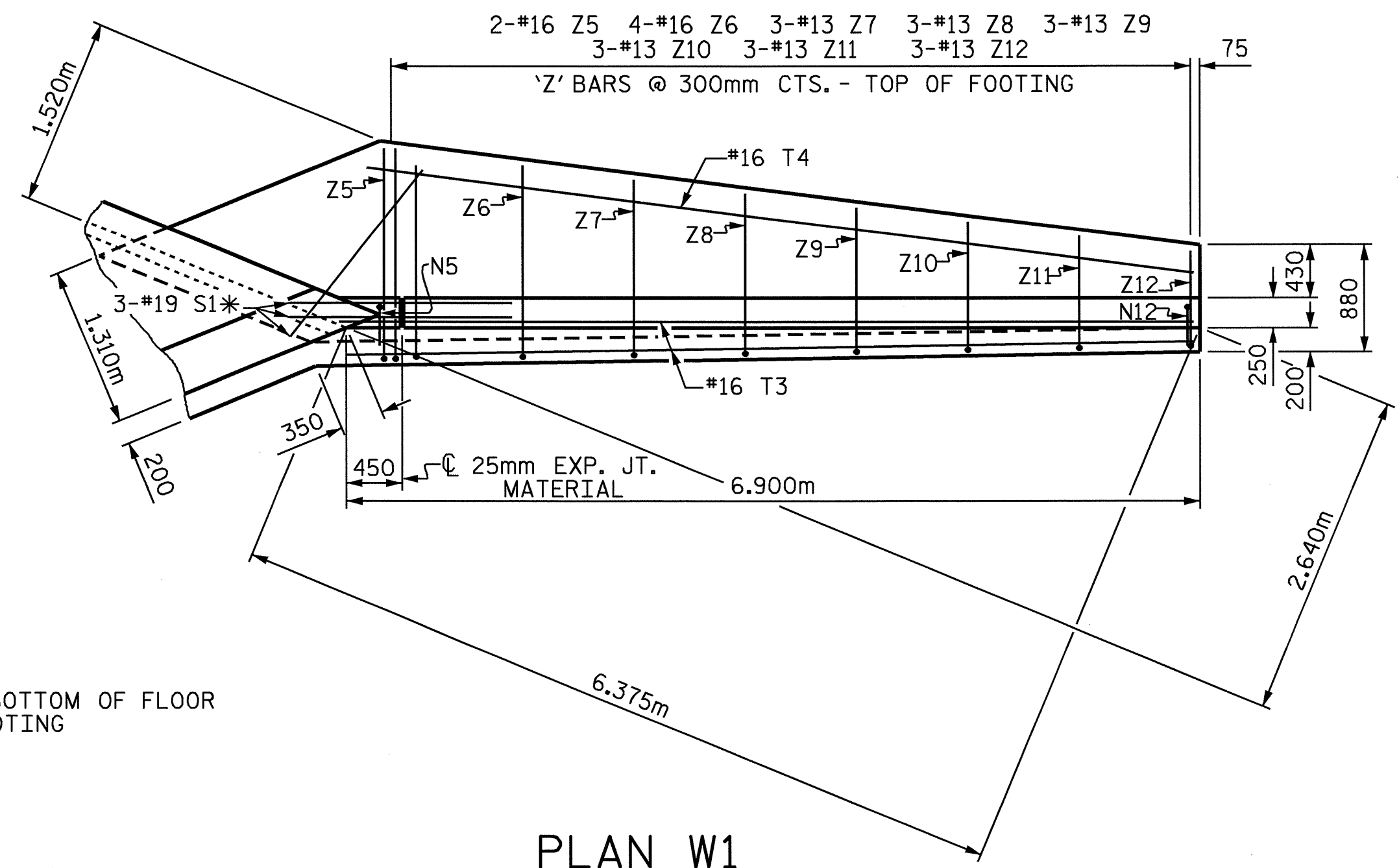
**BILL OF MATERIAL**

BAR NO.	NO.	SIZE	TYPE	LENGTH	WEIGHT
H1	12	13	STR	2140	26
H2	4	13	STR	1960	8
H3	4	13	STR	1020	4
H4	24	13	1	980	23
H5	4	13	STR	2360	9
H6	12	13	STR	6340	76
H7	4	13	STR	6000	24
H8	4	13	STR	3580	14
H9	4	13	STR	1180	5
H10	24	13	2	980	23
H11	4	13	STR	6440	26
N1	4	16	3	3040	19
N2	4	16	3	2820	18
N3	6	16	3	2380	22
N4	6	16	3	1940	12
N5	6	16	3	3060	19
N6	6	16	3	2940	37
N7	6	16	3	2780	26
N8	6	16	3	2600	24
N9	6	16	3	2440	15
N10	6	13	3	2260	13
N11	6	13	3	2100	13
N12	6	13	3	1940	12
S1	12	19	STR	1800	48
T1	4	16	STR	2700	17
T2	2	16	STR	3100	10
T3	4	16	STR	6900	43
T4	2	16	STR	6700	21
T5	16	16	STR	1460	36
V1	4	13	STR	2420	10
V2	4	13	STR	2200	9
V3	6	13	STR	1760	10
V4	6	13	STR	1320	8
V5	4	13	STR	2440	10
V6	8	13	STR	2320	18
V7	6	13	STR	2160	13
V8	6	13	STR	1980	12
V9	6	13	STR	1820	11
V10	6	13	STR	1640	10
V11	6	13	STR	1480	9
V12	6	13	STR	1320	8
Z1	4	16	4	1940	12
Z2	4	16	4	1740	11
Z3	6	13	4	1340	8
Z4	6	13	4	960	6
Z5	4	16	4	1940	12
Z6	8	16	4	1860	23
Z7	6	13	4	1680	10
Z8	6	13	4	1540	9
Z9	6	13	4	1380	8
Z10	6	13	4	1240	7
Z11	6	13	4	1100	7
Z12	6	13	4	960	6

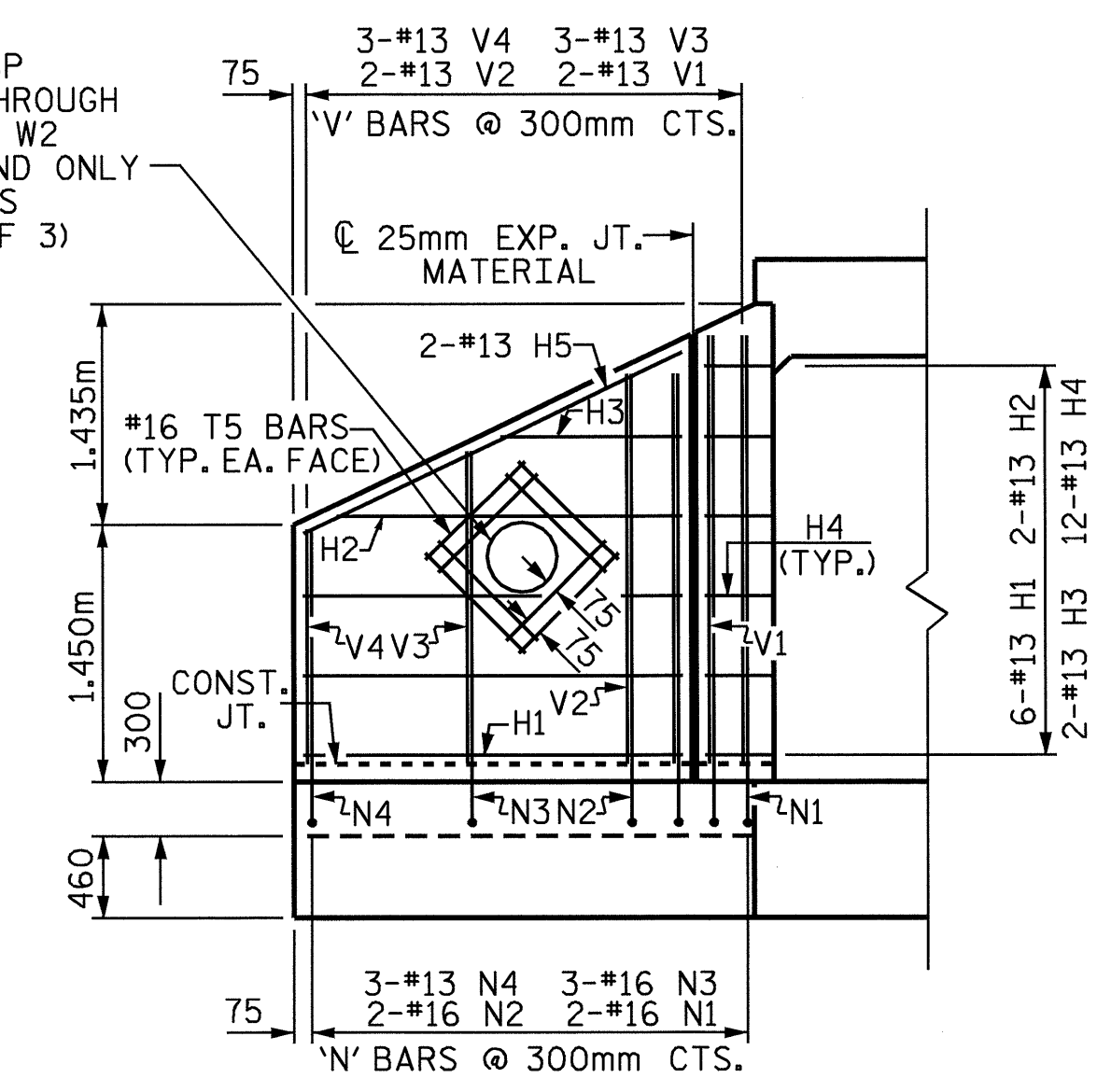
REINFORCING STEEL FOR 4 WING WALLS	890 kg
CLASS A CONCRETE	
4 WINGS	20.5 m <sup>3</sup>
2 HEADWALLS	0.9 m <sup>3</sup>
2 END CURTAIN WALLS	0.9 m <sup>3</sup>
<b>TOTAL</b>	<b>22.3 m<sup>3</sup></b>



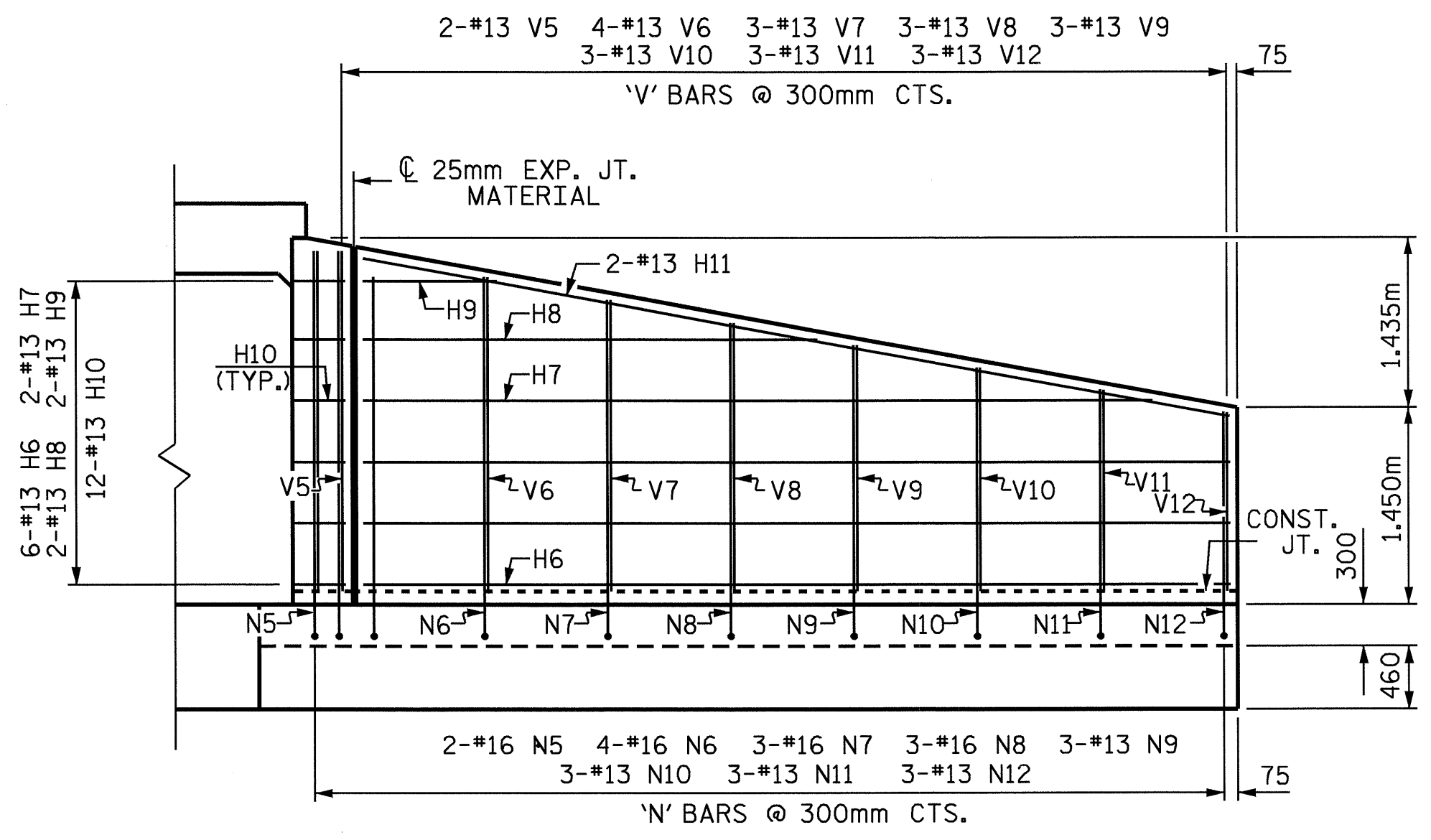
PLAN W2



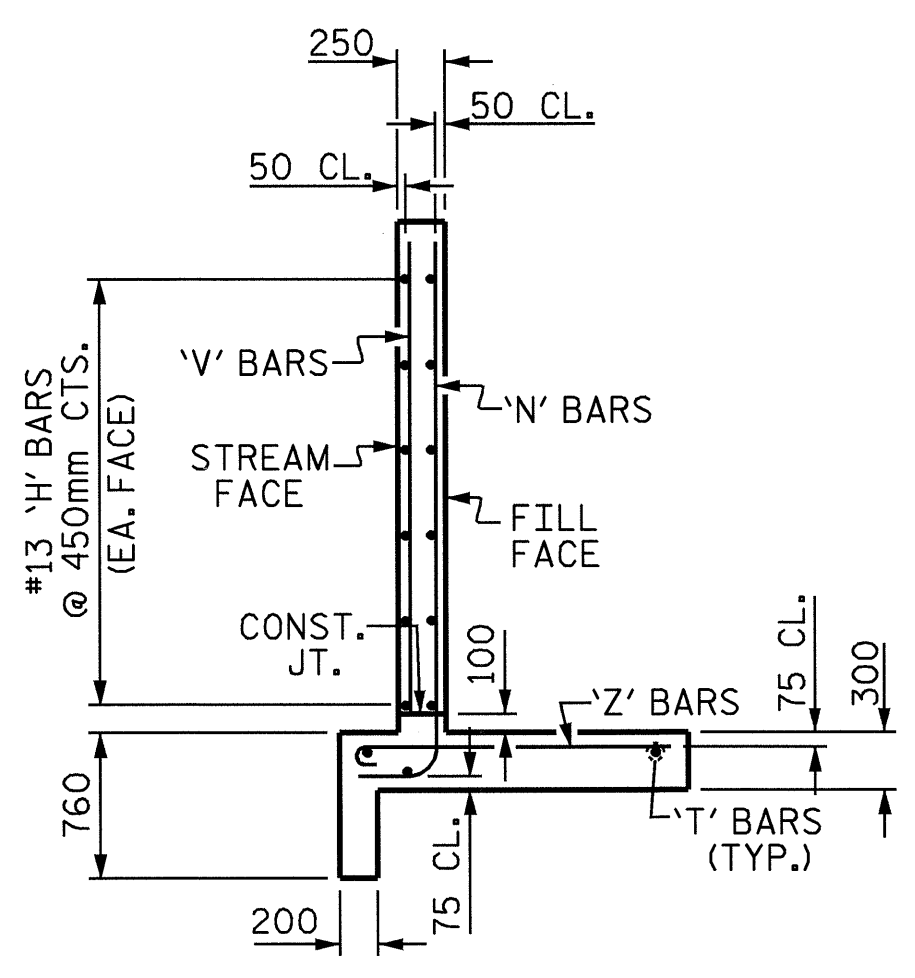
PLAN W1



ELEVATION W2



ELEVATION W1



TYPICAL WING SECTION

FOR WING ORIENTATION, SEE BARREL STANDARD SHEET.  
 A 900mm STRIP OF FILTER FABRIC SHALL BE ATTACHED TO THE FILL FACE OF THE WING COVERING THE ENTIRE LENGTH OF THE EXPANSION JOINT.

ASSEMBLED BY : D. HODGE	DATE : 1/2004
CHECKED BY : M. CHEEK	DATE : 2/2004
DRAWN BY : JLR 7/97	
CHECKED BY : VAP 10/97	

PROJECT NO. R-2911A  
IREDELL COUNTY  
 STATION: 44+43.180 -L-

SHEET 3 OF 3  
 STATE OF NORTH CAROLINA  
 DEPARTMENT OF TRANSPORTATION  
 RALEIGH  
**STANDARD WINGS FOR CONCRETE BOX CULVERT**  
 H=2.400m SLOPE=2:1  
 50° SKEW

REVISIONS				SHEET NO.	
NO.	BY:	DATE:	NO.	BY:	DATE:
1			3		
2			4		

