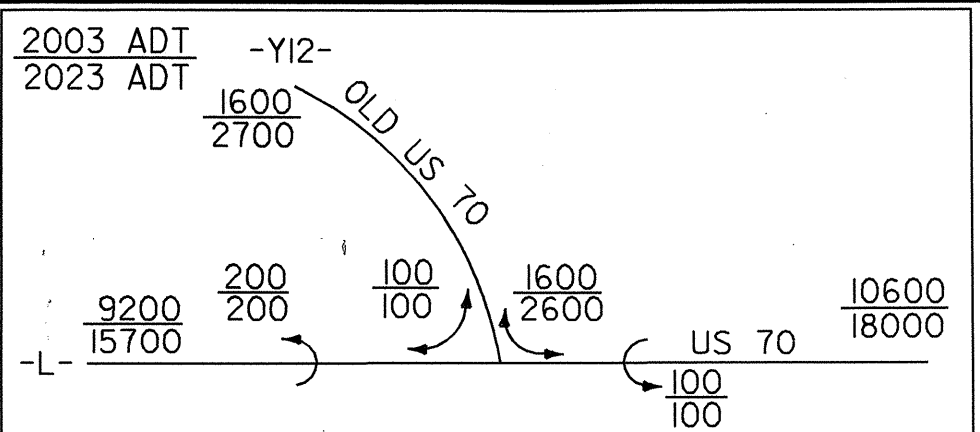


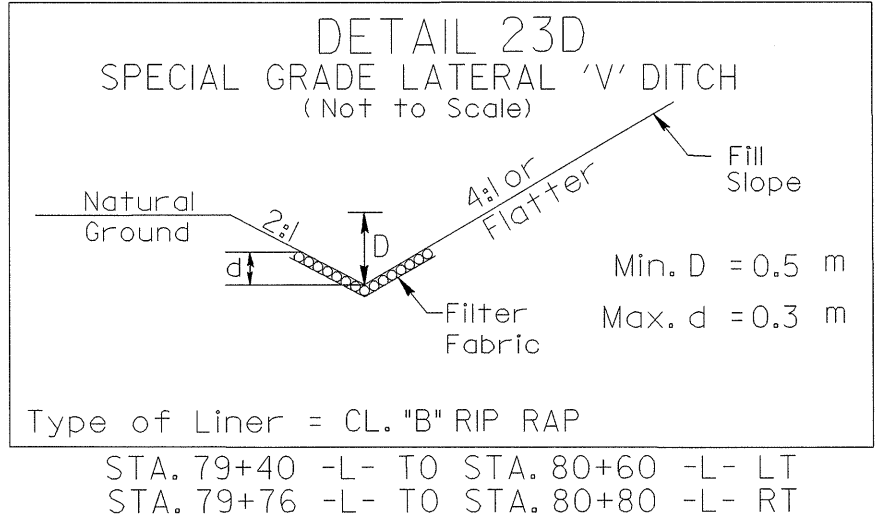
UTILITIES BY OTHERS

NOTE: ALL PROPOSED UTILITY WORK SHOWN ON THIS SHEET WILL BE DONE BY OTHERS

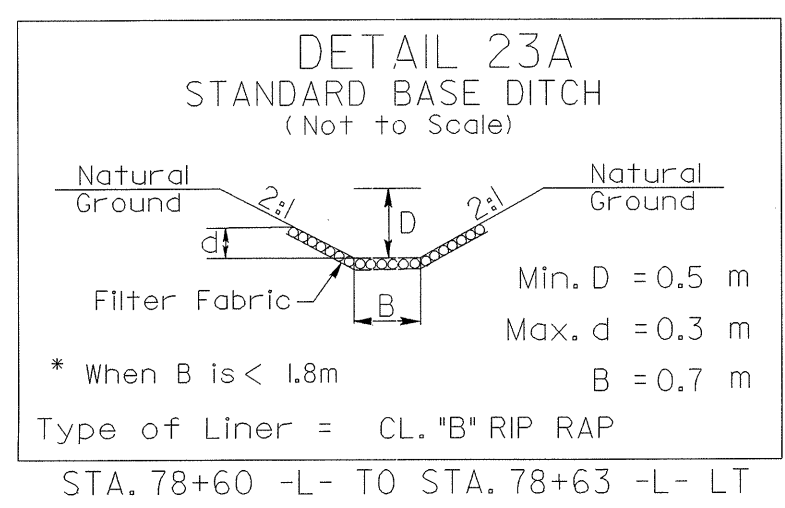
Y12
P.I. = 10+49.219
Δ = 74°39'35.8" LT
T = 34.318 M
L = 58.638 M
R = 45.000 M
SUPER = 0.04



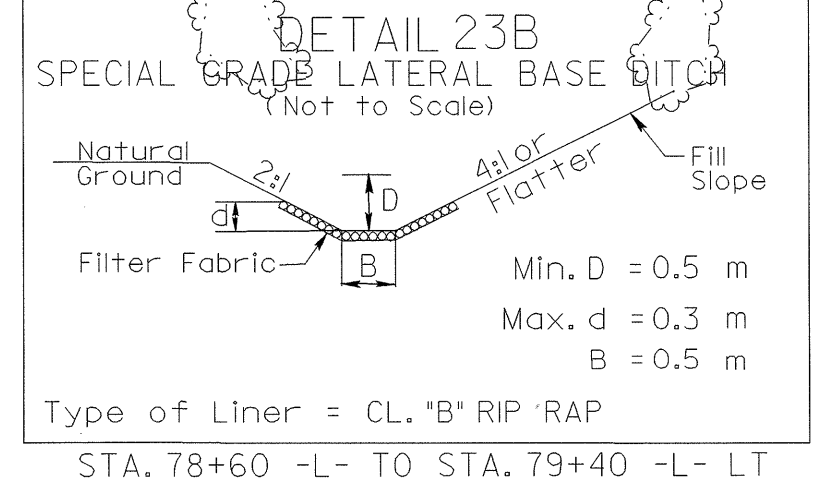
NAD 83



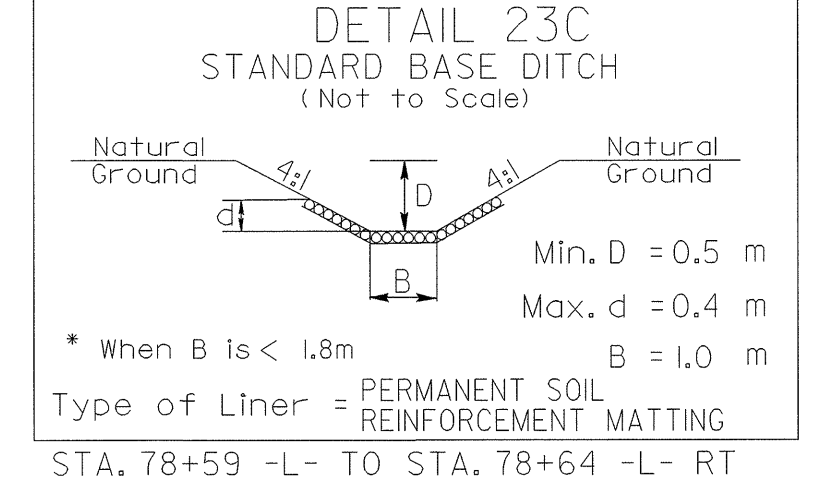
SPEC. GRADE LAT. 'V' DITCH W/ CL. 'B' RIP RAP & FILTER FABRIC LINER EST. 123 M TONS EST. 341.0 m² FABRIC SEE DETAIL 23D



STA. 78+60 -L- TO STA. 78+63 -L- LT



STA. 78+60 -L- TO STA. 79+40 -L- LT



STA. 78+59 -L- TO STA. 78+64 -L- RT

NOTE: ALL PROP. DRIVEWAY RADII 3.0m UNLESS SHOWN OTHERWISE.

NOTE: PAVEMENT OBLITERATION SEE SHEET 43 FOR -L- PROFILE SEE SHEET 52 FOR -Y12- PROFILE

MATCHLINE STA. 76+40 -L- SEE SHEET UO-15

MATCHLINE STA. 80+00 -L- SEE SHEET UO-18

04252
02-11-2004 10:10
R:\Utilities\8400\Drawings\2911A23_U017.DGN
John.Hartman AT DESIGNED