

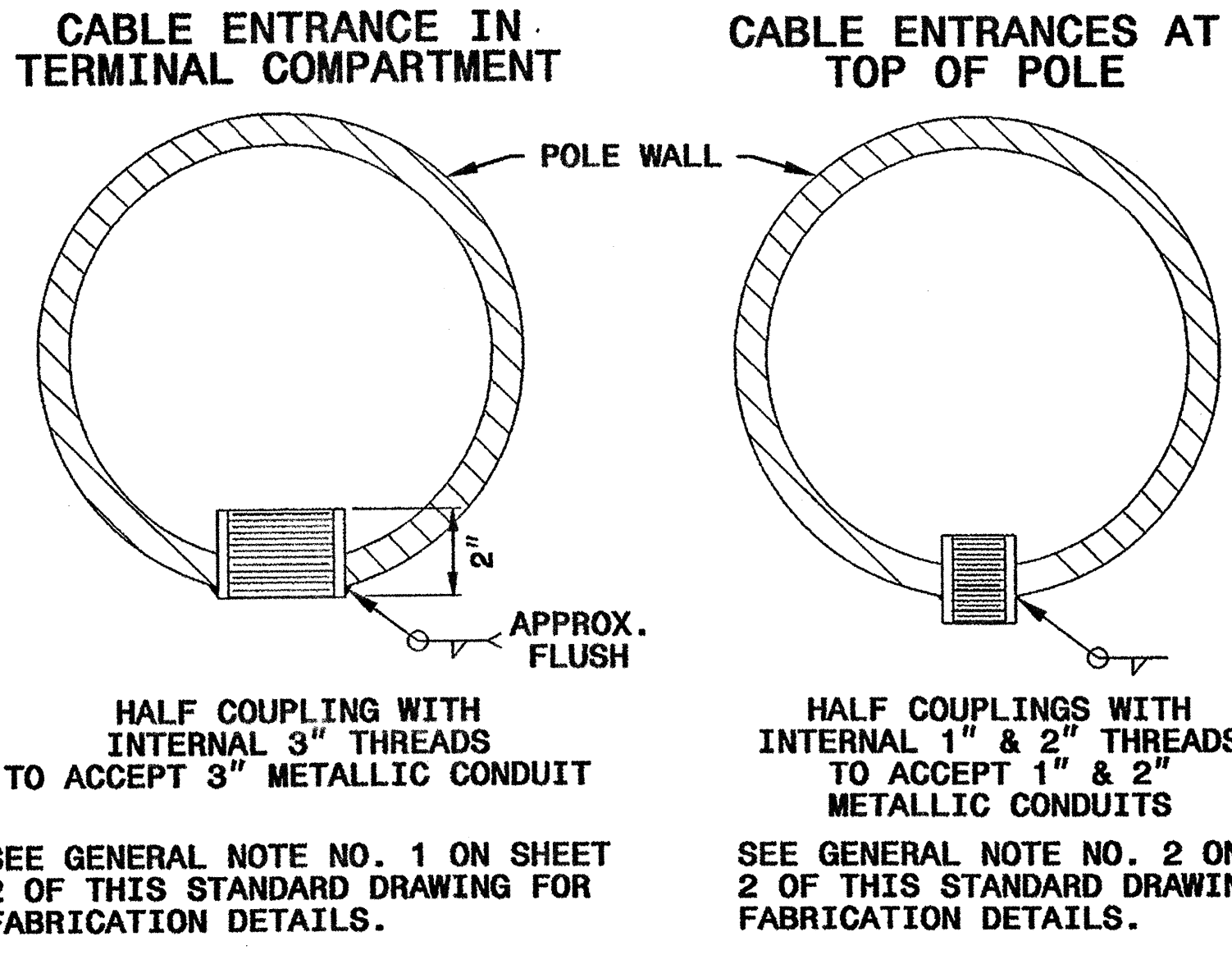
STATE OF NORTH CAROLINA
DEPT. OF TRANSPORTATION
DIVISION OF HIGHWAYS
RALEIGH, N.C.

9-03

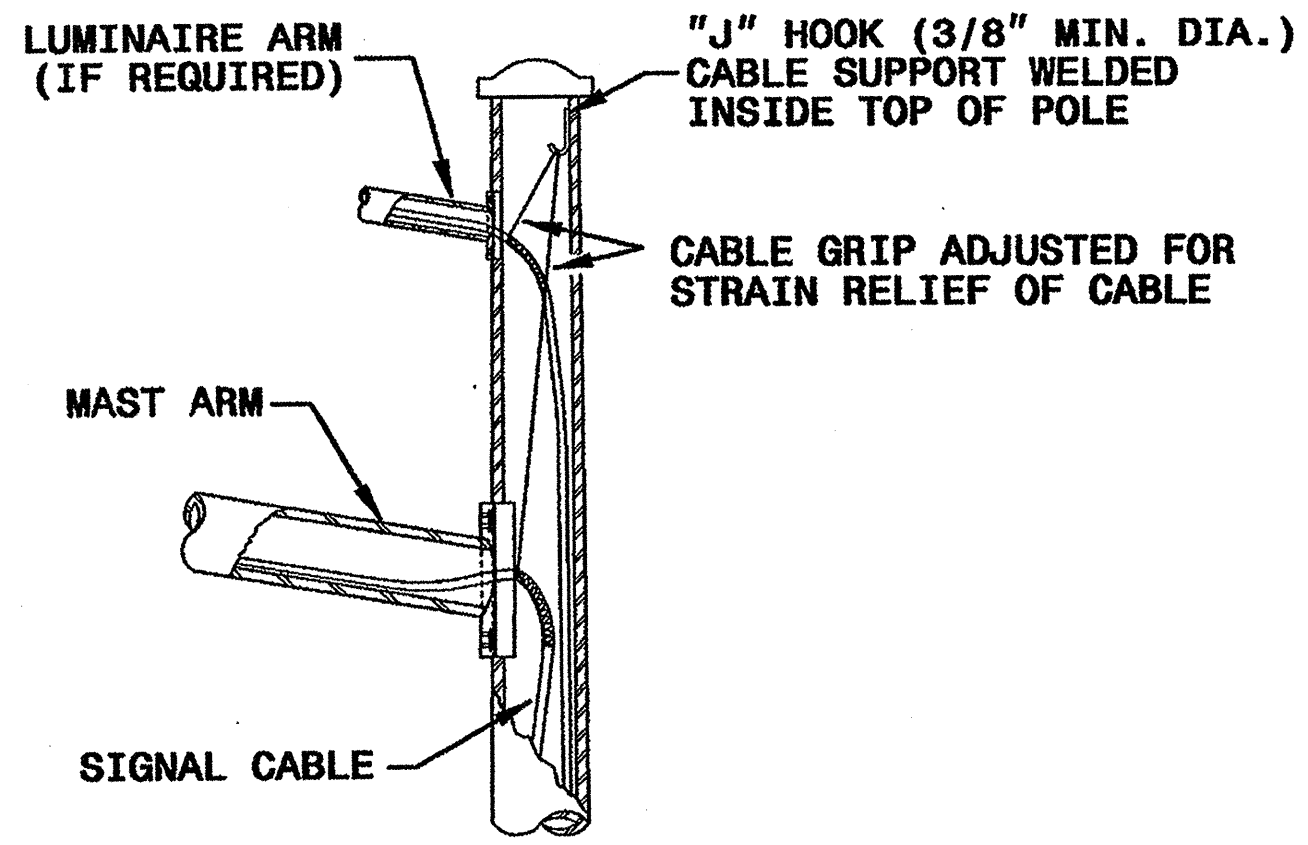
ENGLISH STANDARD DRAWING FOR
METAL POLES
MISCELLANEOUS DETAILS

SHEET 3 OF 3
1740.01

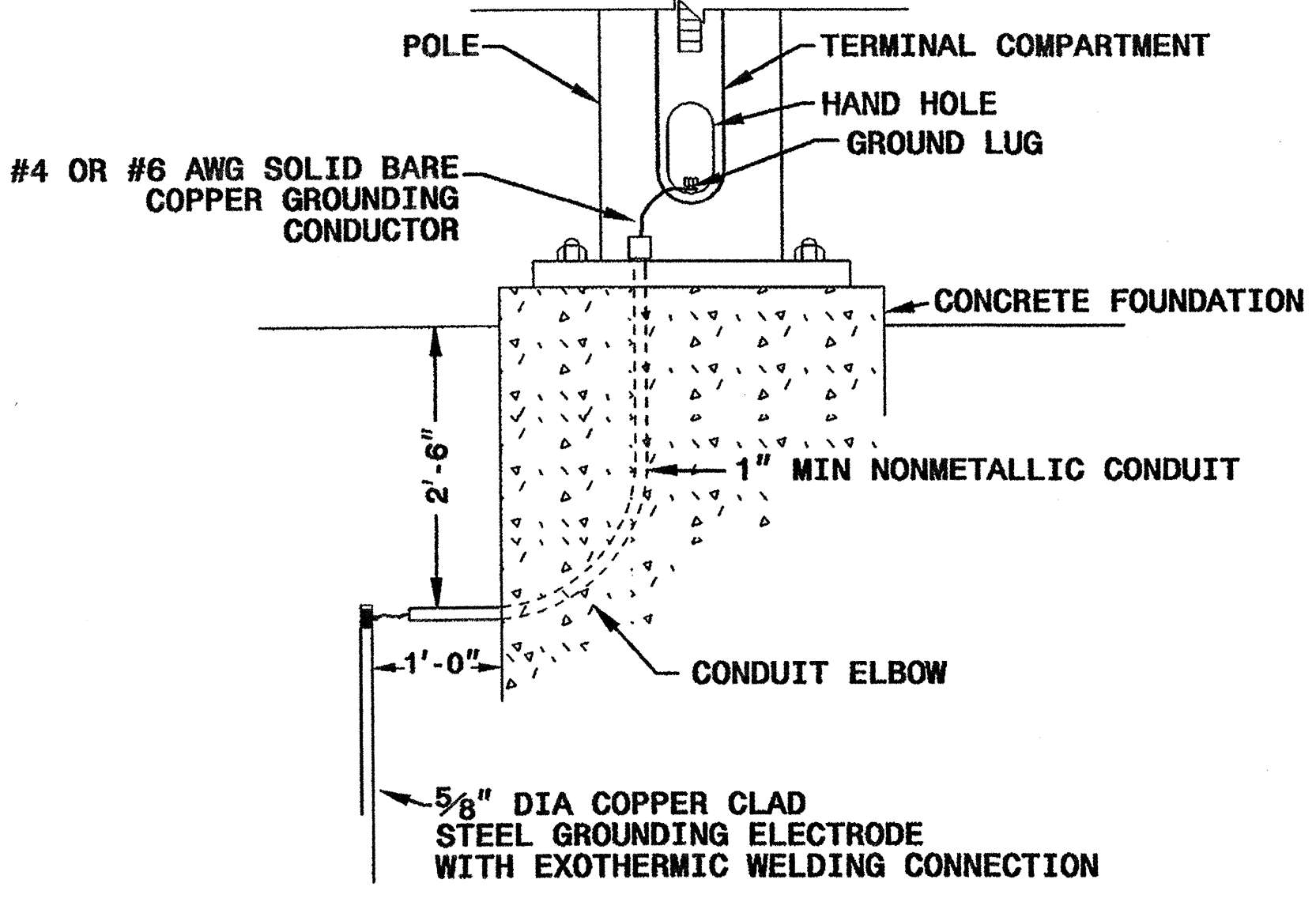
MOUNTING POINT DETAIL



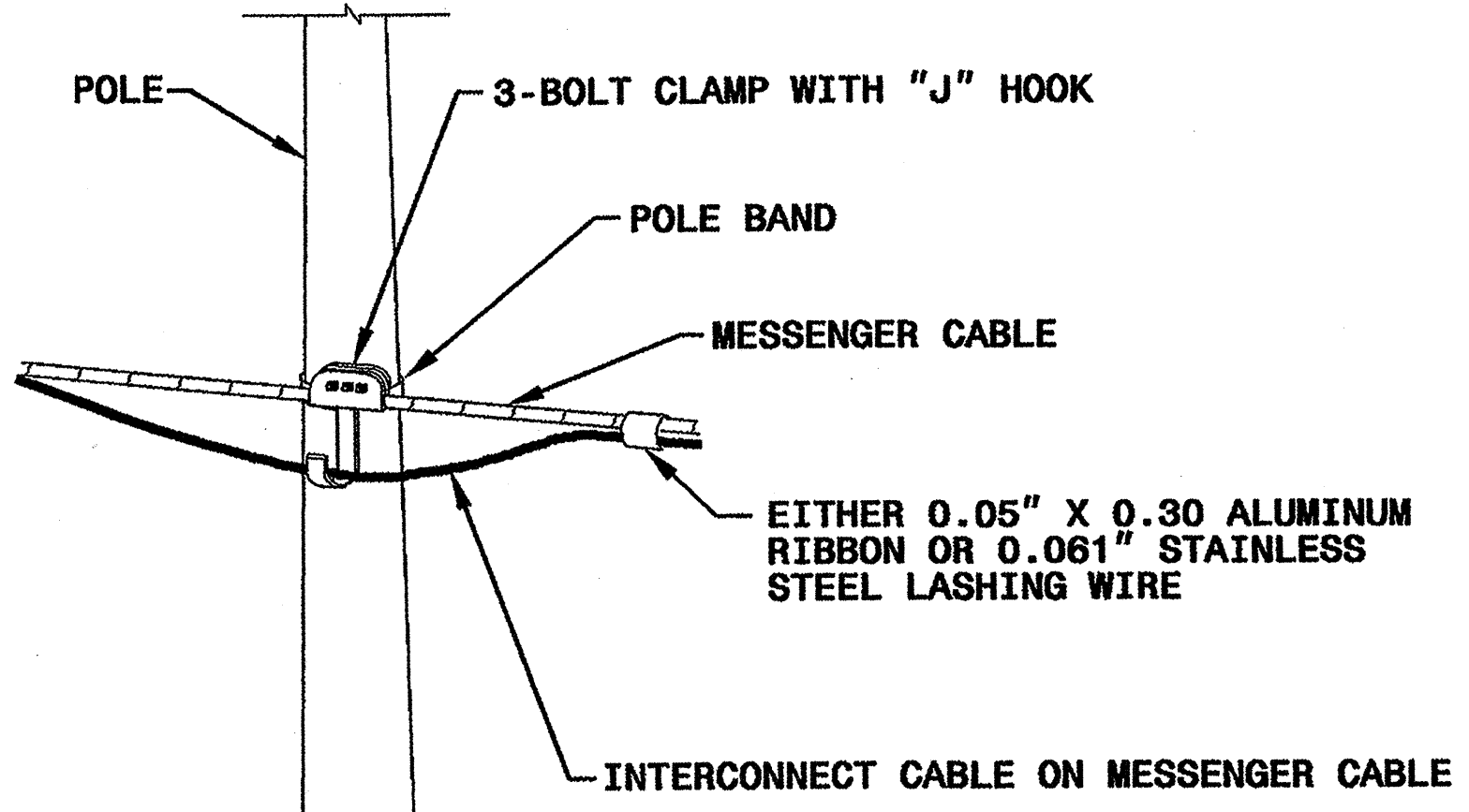
CABLE STRAIN RELIEF



METAL POLE GROUNDING DETAIL



ATTACHMENT OF CABLE TO INTERMEDIATE METAL POLE



STATE OF NORTH CAROLINA
DEPT. OF TRANSPORTATION
DIVISION OF HIGHWAYS
RALEIGH, N.C.

9-03

ENGLISH STANDARD DRAWING FOR
METAL POLES
MISCELLANEOUS DETAILS

SHEET 3 OF 3
1740.01

Structural Engineer	Electrical Engineer
<i>D. Sarkar</i>	<i>Milton I. Dean</i>
9/19/2003	9/22/03
Standard Drawings	
Traffic Management and Signal Systems Unit 122 N. McDowell St., Raleigh, NC 27603	
See Plate for Title	
Original: 2002 Standards	

13-SEP-2003 14:27
 H:\P\proj\1401\1401std\std\1401std\misc\174001 second.dgn
 plot:std\std\1401std\misc\174001 second.dgn