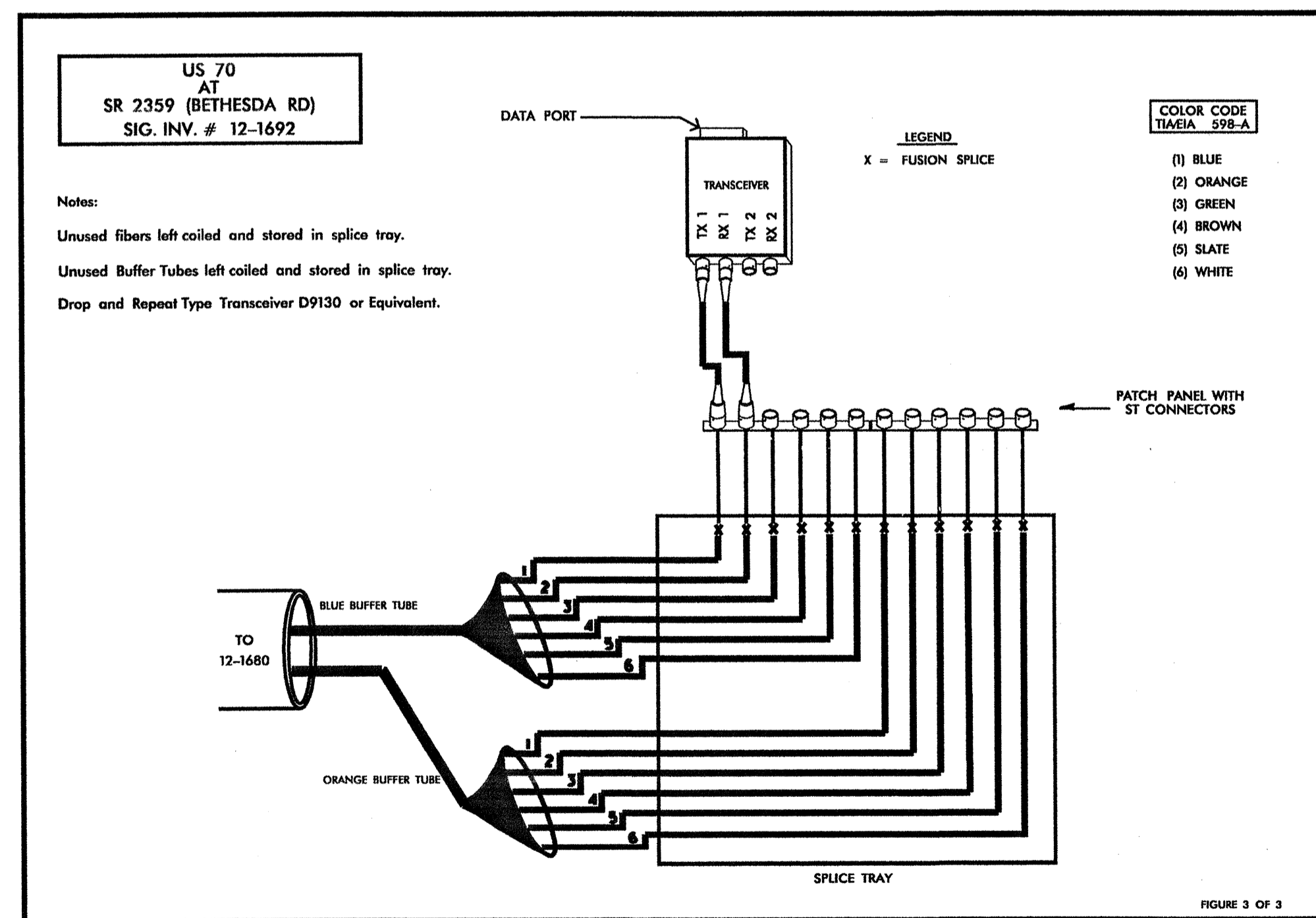
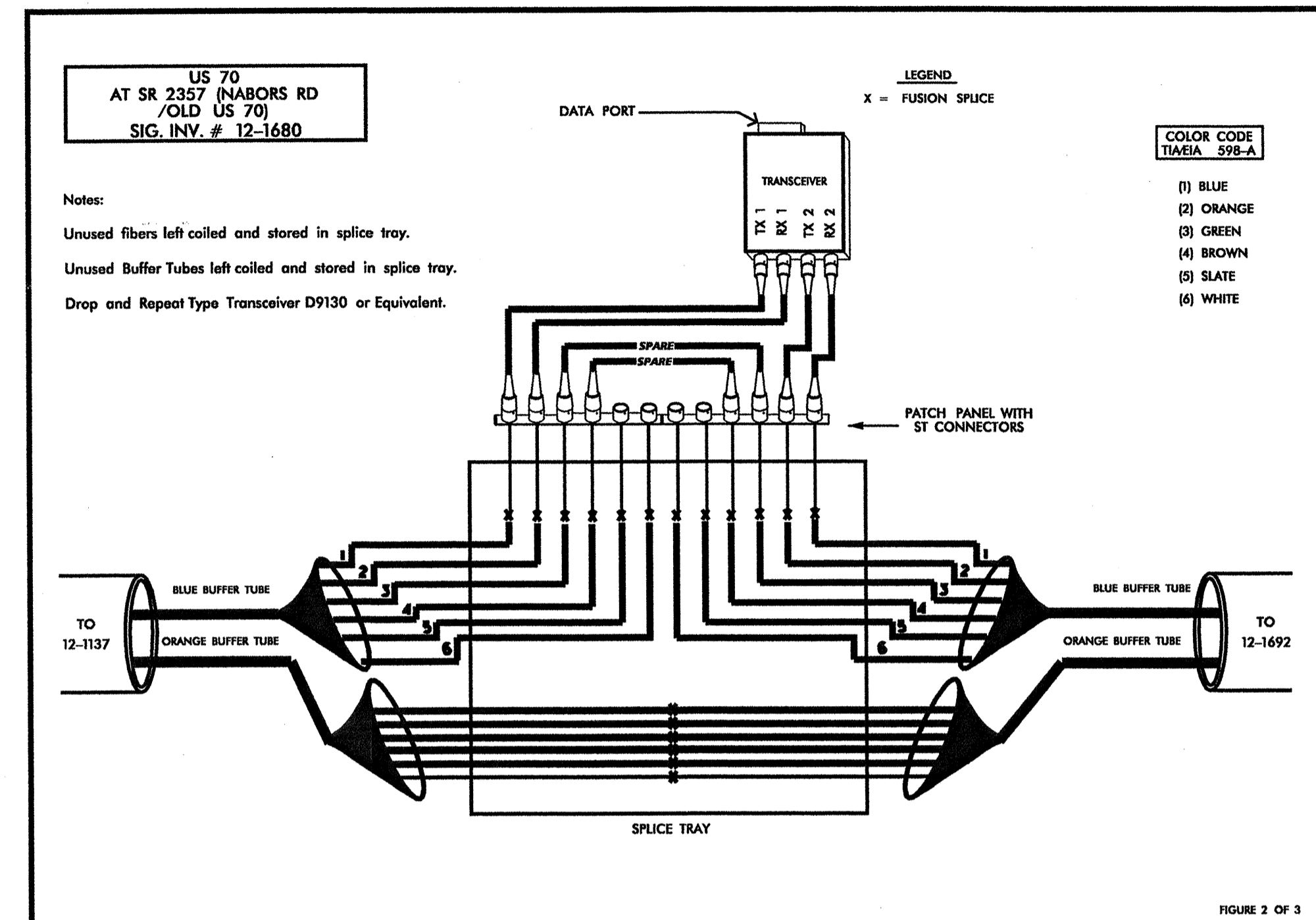
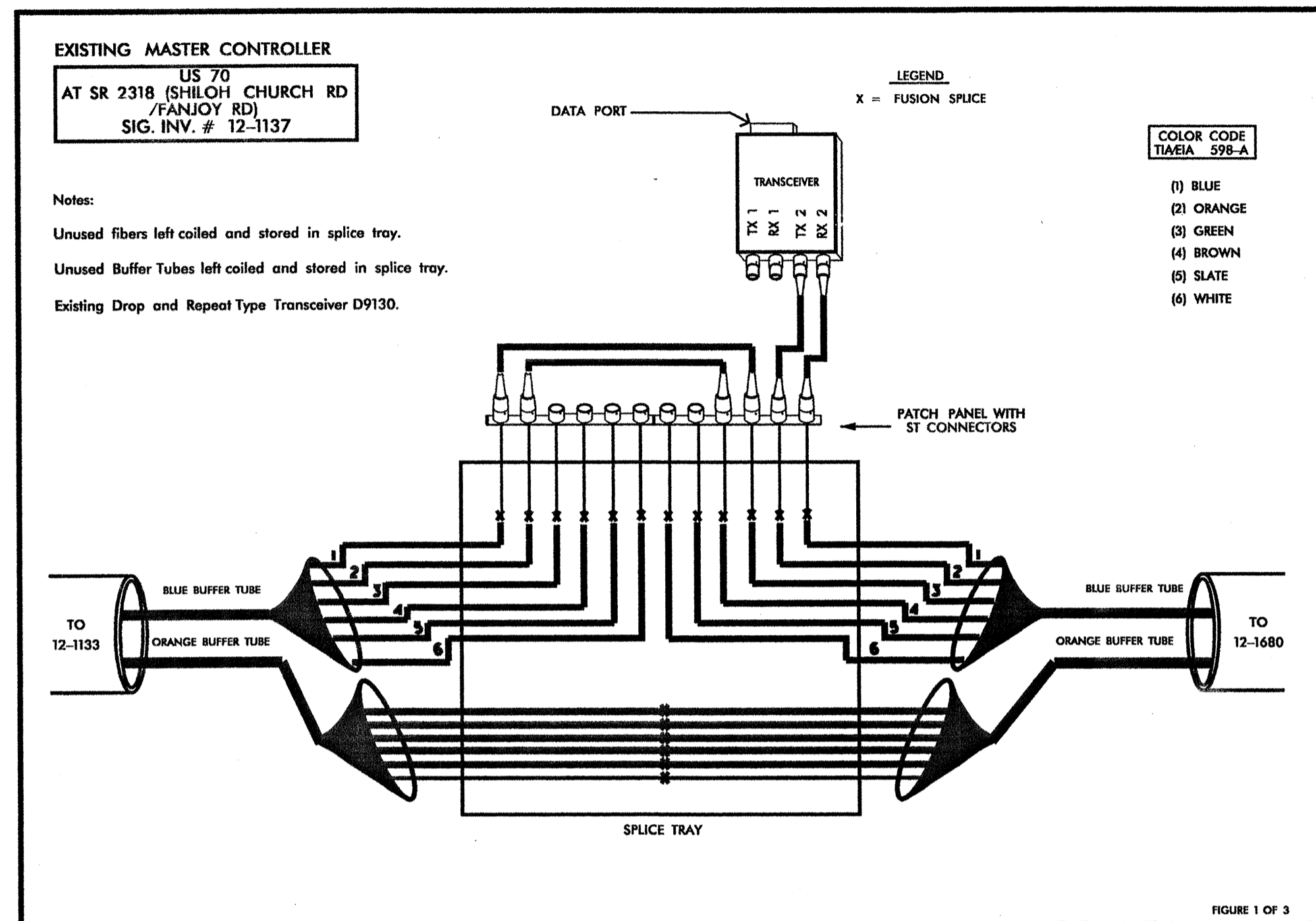


FIBER OPTIC CABLE



Prepared in the Offices of:
 NORTH CAROLINA
 BOARD OF TRANSPORTATION
 TYPE Management Systems
 122 N. McDowell St., Raleigh, NC 27603
 SCALE: 0 N/A NONE

SPLICE PLAN

DIVISION 12 IREDELL COUNTY E. OF STATESVILLE

PLAN DATE: AUGUST 2002	REVIEWED BY: K. MILAM
PREPARED BY: X. FAN	REVIEWED BY:
REVISIONS	INIT. DATE

SEAL
 NORTH CAROLINA
 PROFESSIONAL ENGINEER
 SEAL 21080
 TAYLOR A. GRAYSON
 SEAL NOT VALID UNLESS SIGNED AND DATED
 SIGNATURE DATE 10/22/05
 CADD FILE NAME