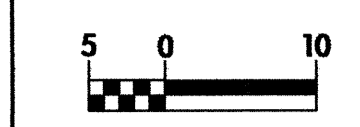


PROJECT REFERENCE NO. R-2911A		SHEET NO. EC-9/CONST.10	
R/W SHEET NO.			
ROADWAY DESIGN ENGINEER		HYDRAULICS ENGINEER	
CONST. REV.			
R/W REV.			

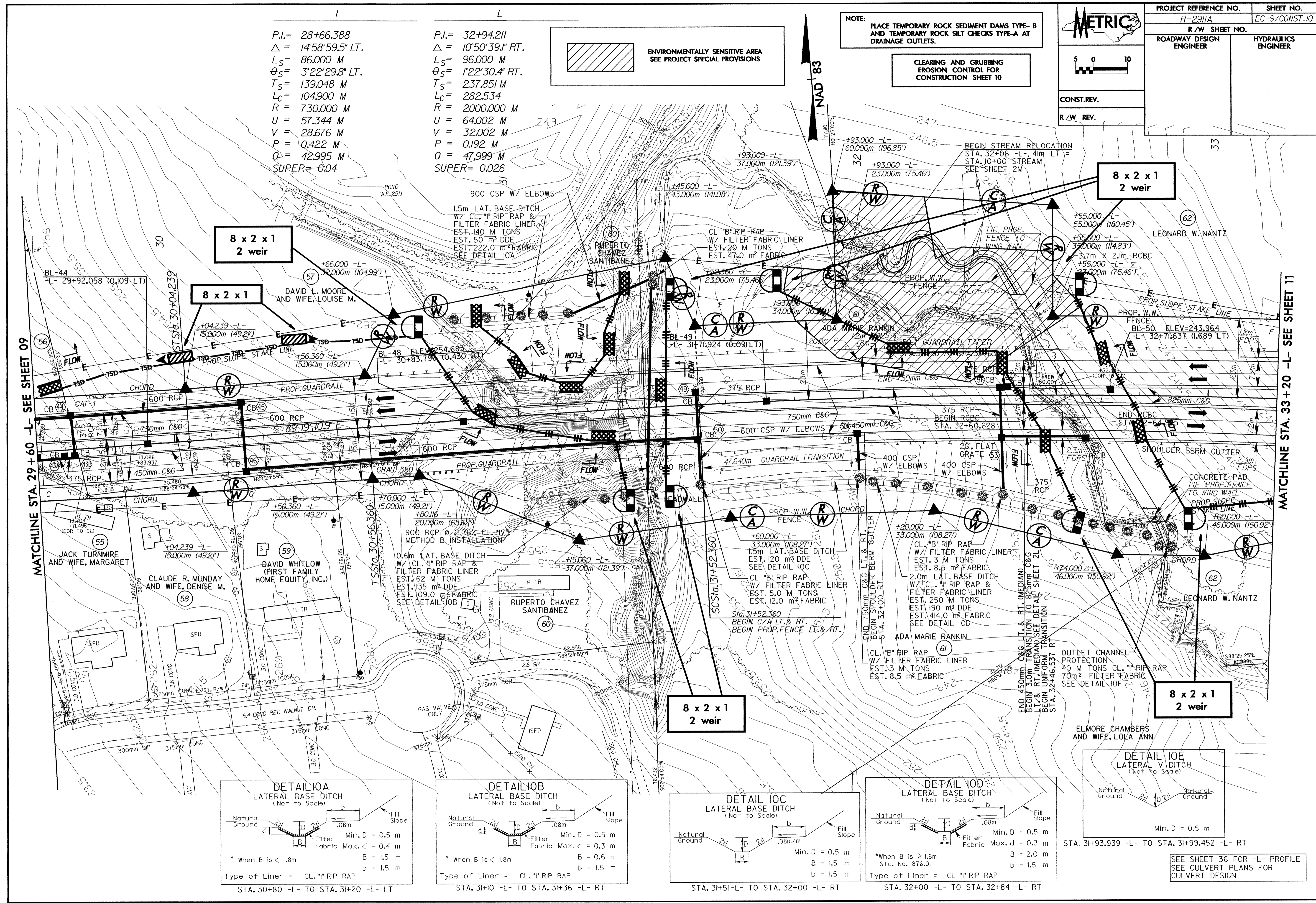
NOTE:  
PLACE TEMPORARY ROCK SEDIMENT DAMS TYPE-B AND TEMPORARY ROCK SILT CHECKS TYPE-A AT DRAINAGE OUTLETS.

CLEARING AND GRUBBING EROSION CONTROL FOR CONSTRUCTION SHEET 10



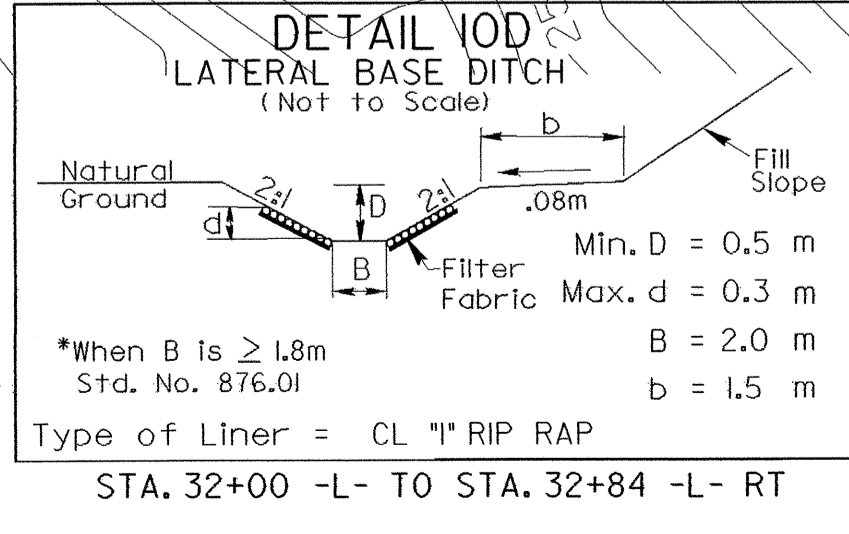
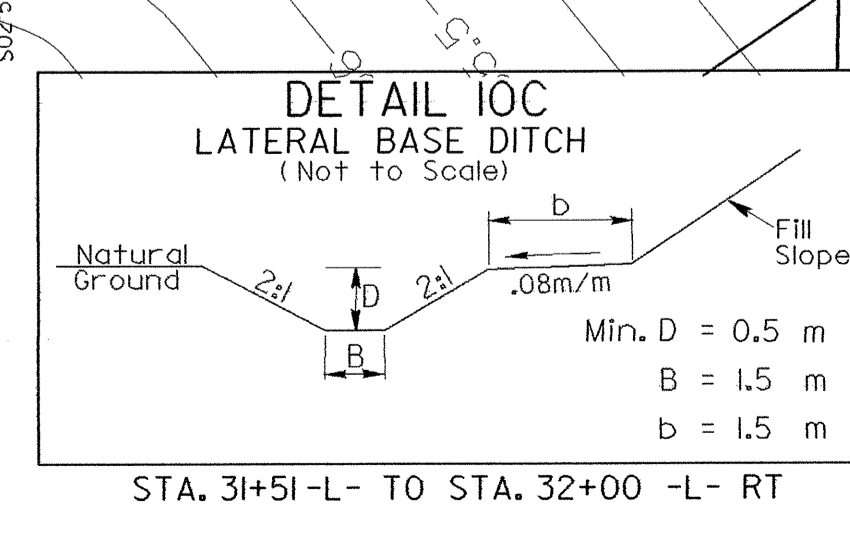
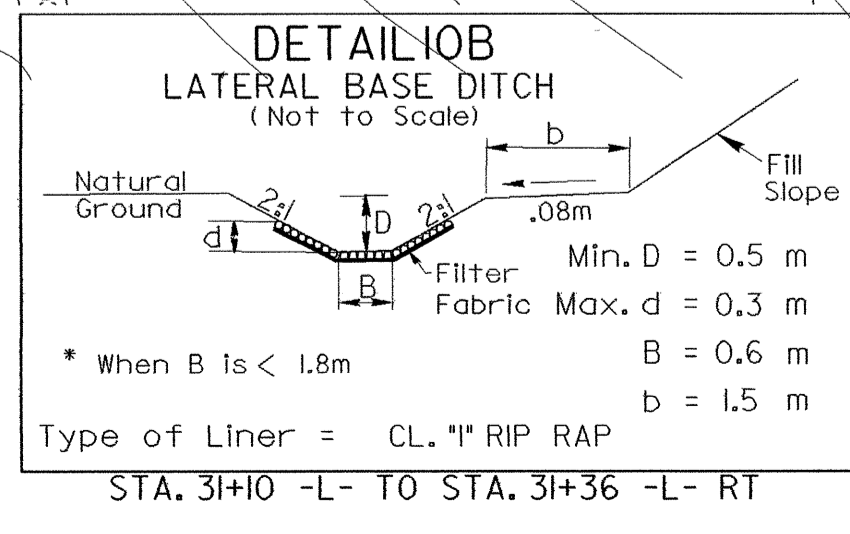
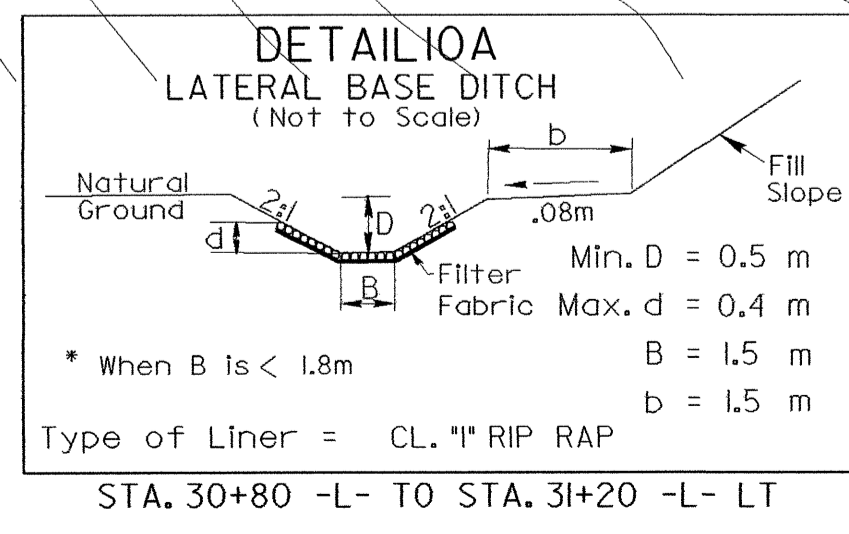
P.I. = 28+66.388  
 $\Delta = 14^{\circ}58'59.5''$  LT.  
 $L_s = 86.000$  M  
 $\theta_s = 3^{\circ}22'29.8''$  LT.  
 $T_s = 139.048$  M  
 $L_c = 104.900$  M  
 $R = 730.000$  M  
 $U = 57.344$  M  
 $V = 28.676$  M  
 $P = 0.422$  M  
 $Q = 42.995$  M  
 $SUPER = 0.04$

P.I. = 32+94.211  
 $\Delta = 10^{\circ}50'39.1''$  RT.  
 $L_s = 96.000$  M  
 $\theta_s = 1^{\circ}22'30.4''$  RT.  
 $T_s = 237.851$  M  
 $L_c = 282.534$  M  
 $R = 2000.000$  M  
 $U = 64.002$  M  
 $V = 32.002$  M  
 $P = 0.192$  M  
 $Q = 47.999$  M  
 $SUPER = 0.026$



MATCHLINE STA. 29 + 60 -L- SEE SHEET 09

MATCHLINE STA. 33 + 20 -L- SEE SHEET 11



SEE SHEET 36 FOR -L- PROFILE  
SEE CULVERT PLANS FOR CULVERT DESIGN