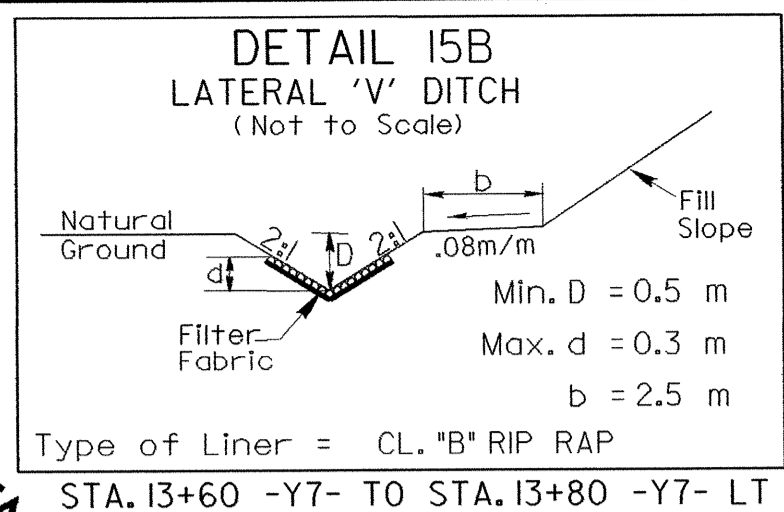
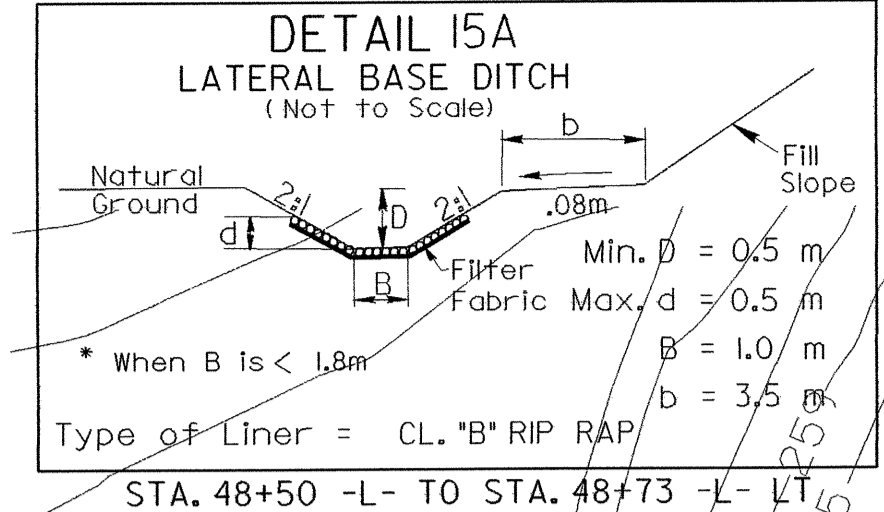
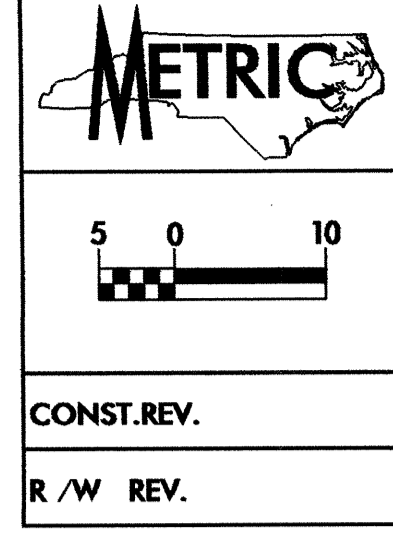
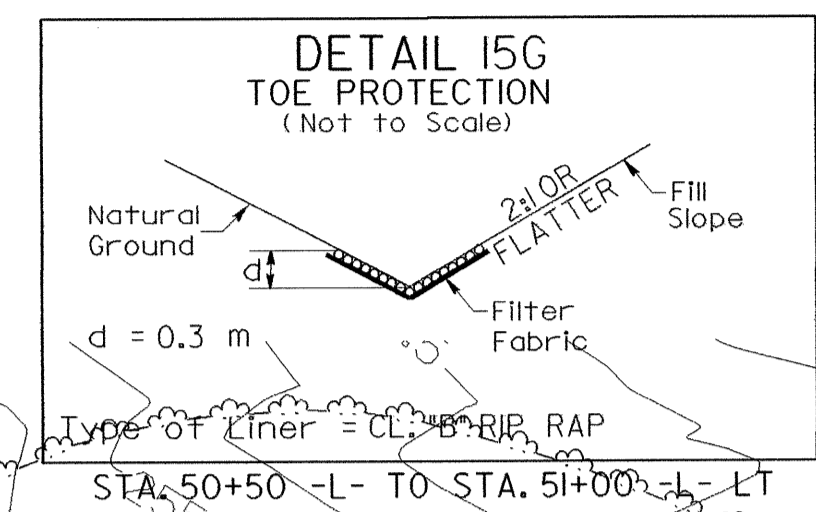


PROJECT REFERENCE NO.	SHEET NO.
R-2911A	EC-16/CONST.15
R/W SHEET NO.	
ROADWAY DESIGN ENGINEER	HYDRAULICS ENGINEER
CONST. REV.	
R/W REV.	



NOTE:
PLACE TEMPORARY ROCK SEDIMENT DAMS TYPE-B AND TEMPORARY ROCK SILT CHECKS TYPE-A AT DRAINAGE OUTLETS.

CLEARING AND GRUBBING
EROSION CONTROL FOR
CONSTRUCTION SHEET 15

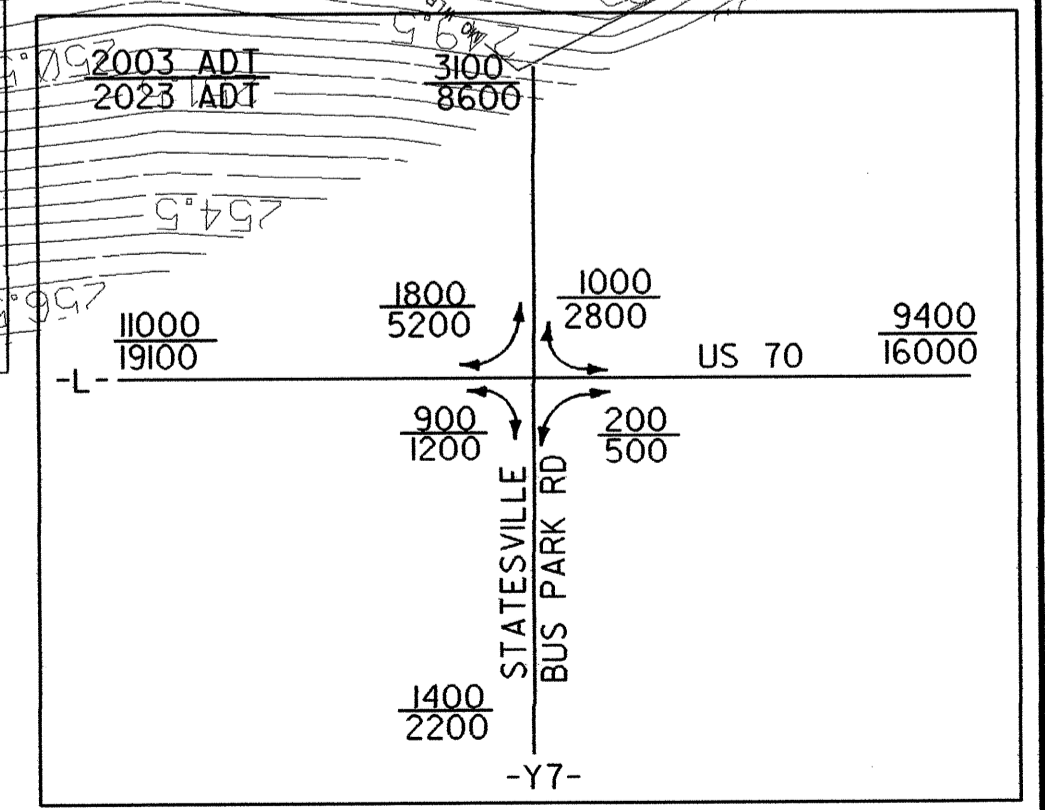
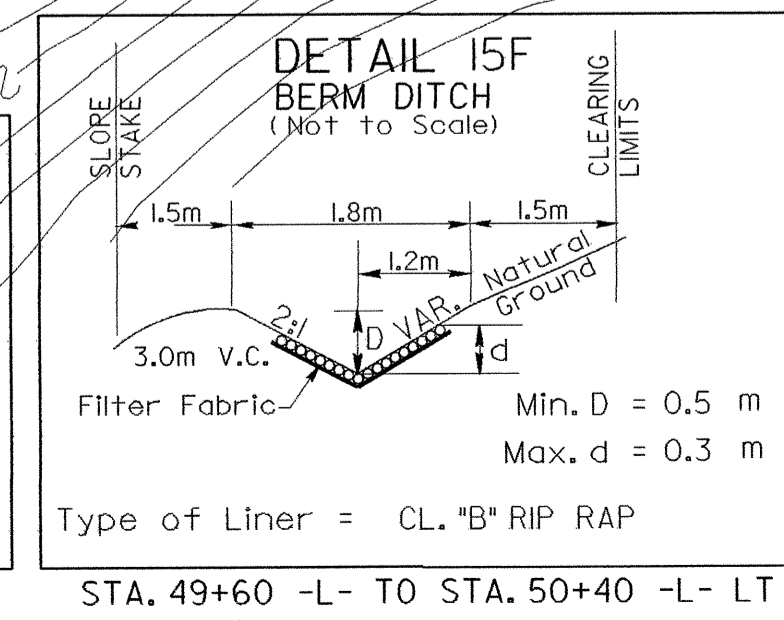
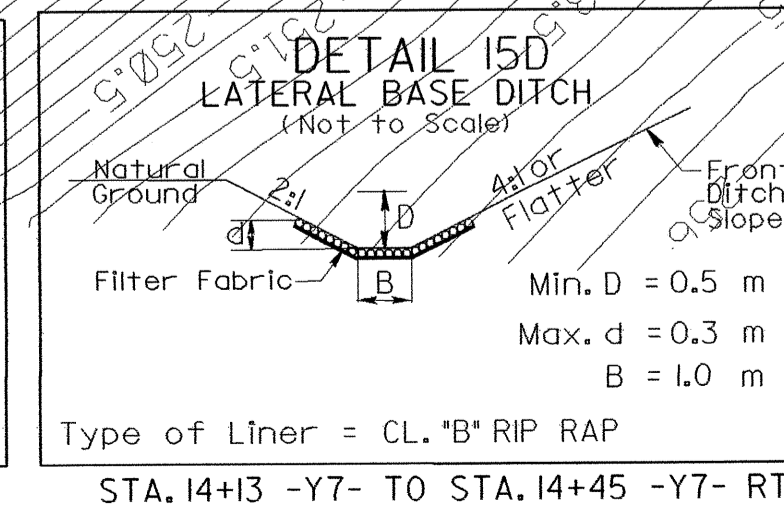
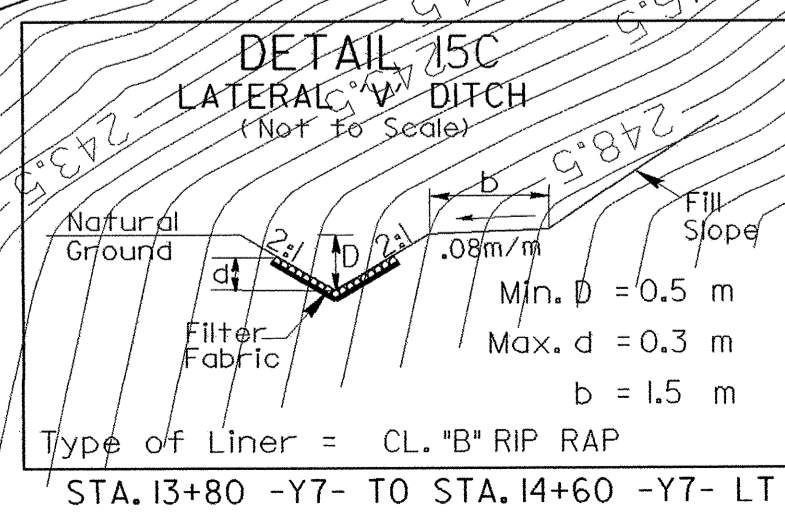


STD. BERM DITCH
W/ CL 'B' RIP RAP &
FILTER FABRIC LINER
EST. 82 M TONS
EST. 227 m² FABRIC
SEE DETAIL 15F

LAT. BASE DITCH
W/ CL 'B' RIP RAP &
FILTER FABRIC LINER
EST. 49.0 M TONS
EST. 123.0 m² FABRIC
SEE DETAIL 15D

LAT. 'V' DITCH
W/ CL 'B' RIP RAP &
FILTER FABRIC LINER
EST. 19.0 M TONS
EST. 51.5 m² FABRIC
SEE DETAIL 15E

P.I. = 11+19.908
Δ = 55°47'34.4" RT
T = 119.908 M
L = 220.559 M
R = 226.500 M
SUPER = 0.05



NOTE:
APPROXIMATE LOCATIONS FOR PLACEMENT OF
ELECTRICAL CONDUIT FOR SIGNAL INSTALLATION
48+30 RT. & 49+34 LT.

SEE SHEET 39 FOR -L- PROFILE
SEE SHEET 49 FOR -Y7- PROFILE

MATCHLINE STA. 47+60 -L- SEE SHEET 14

MATCHLINE STA. 51+20 -L- SEE SHEET 16

