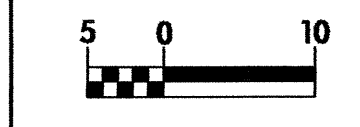
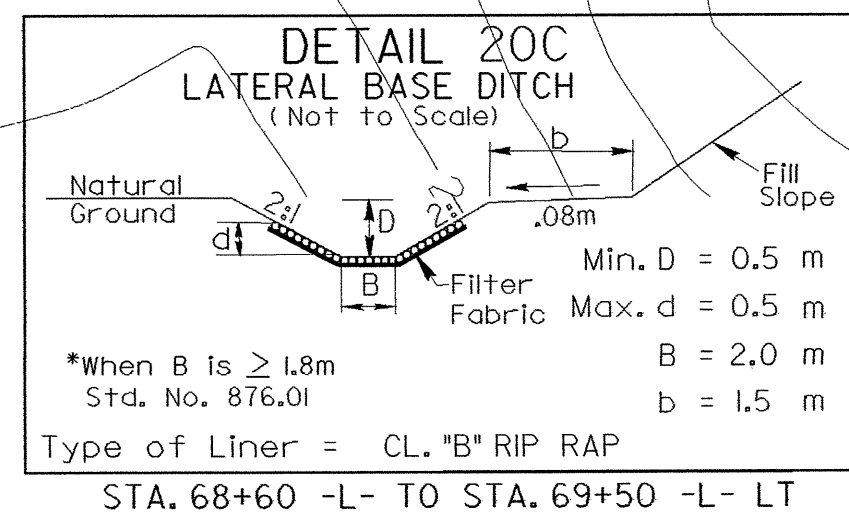
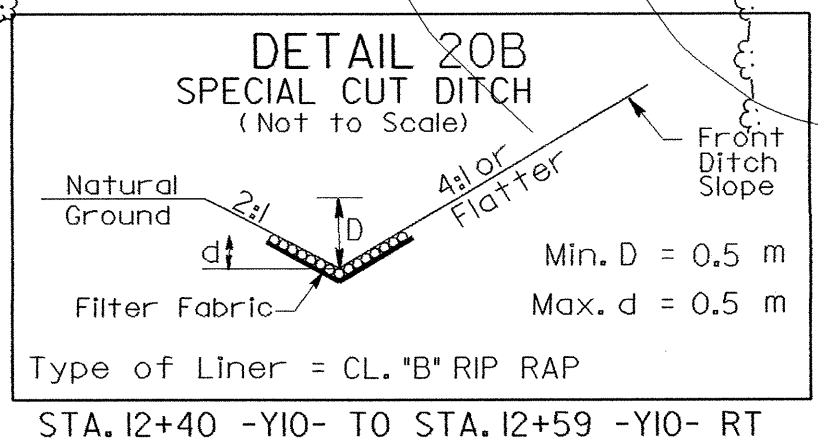
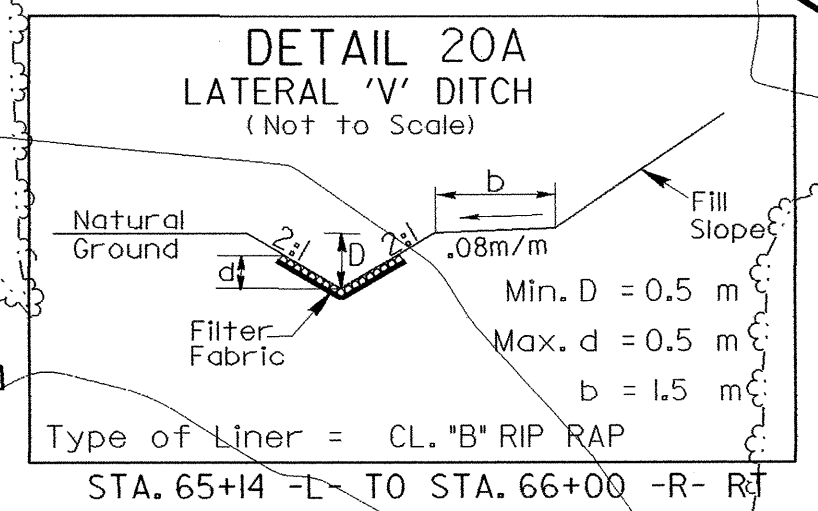
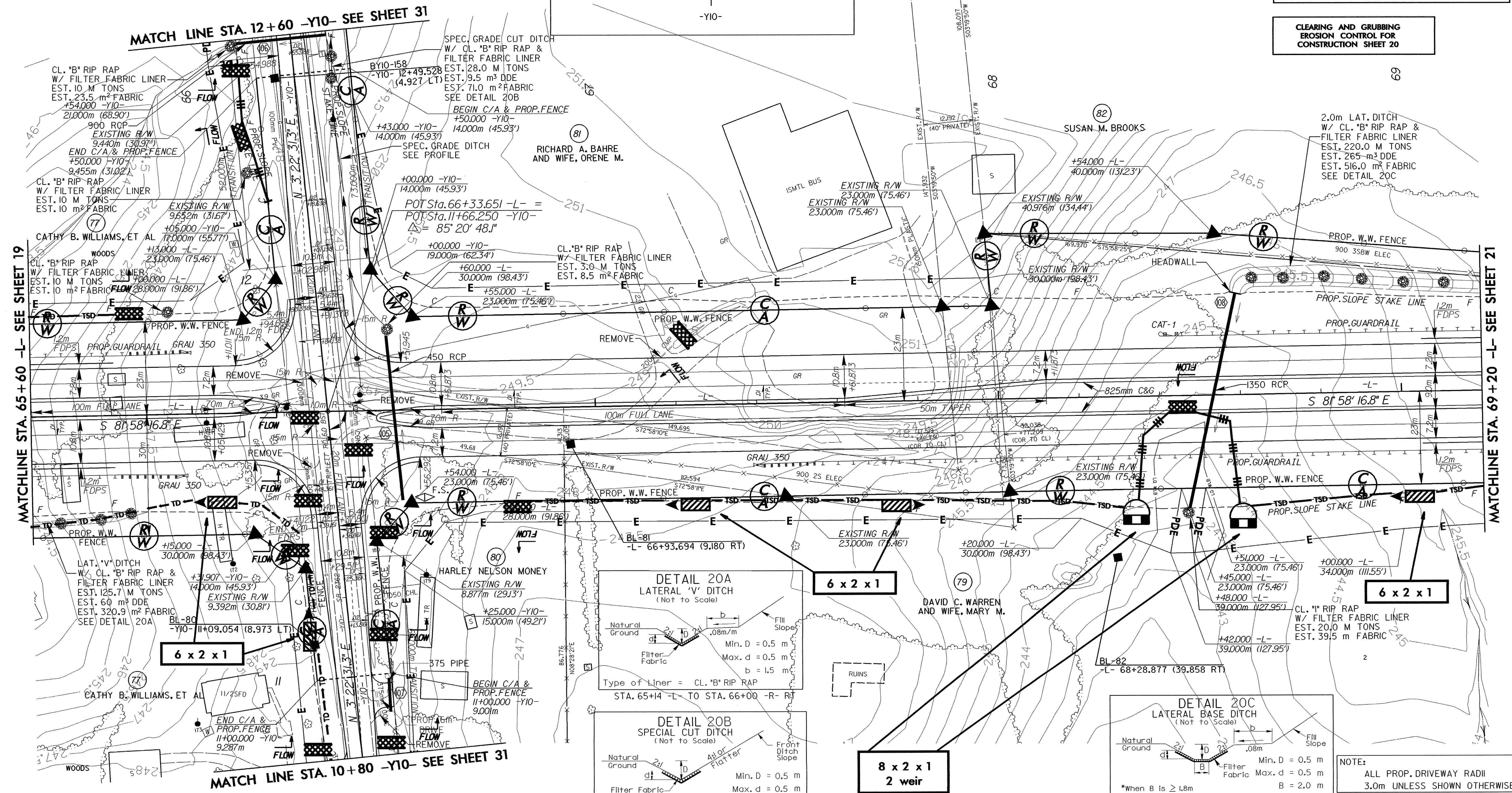
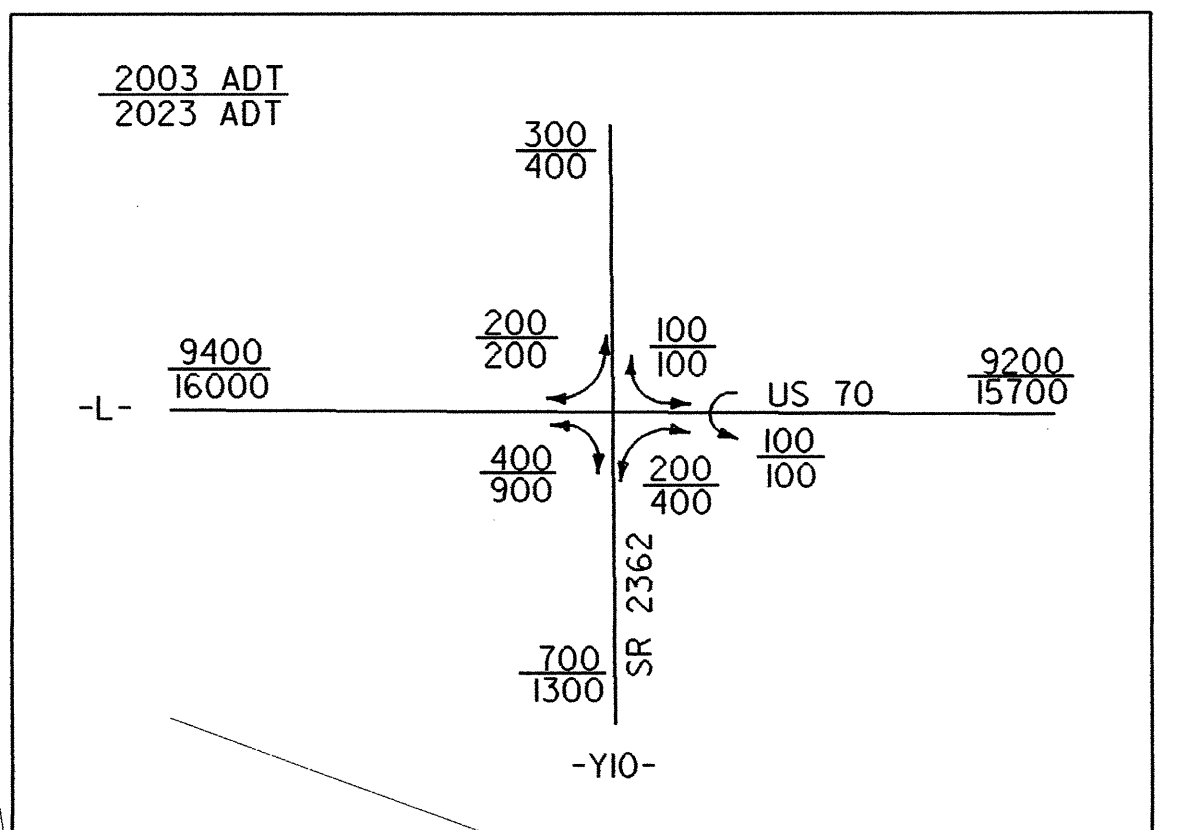
	PROJECT REFERENCE NO.	SHEET NO.
	R-2911A	EC-21/CONST.20
R/W SHEET NO.		
ROADWAY DESIGN ENGINEER	HYDRAULICS ENGINEER	
CONST. REV.		
R/W REV.		



NOTE:
PLACE TEMPORARY ROCK SEDIMENT DAMS TYPE-B AND TEMPORARY ROCK SILT CHECKS TYPE-A AT DRAINAGE OUTLETS.

CLEARING AND GRUBBING EROSION CONTROL FOR CONSTRUCTION SHEET 20



NOTE:
ALL PROP. DRIVEWAY RADII 3.0m UNLESS SHOWN OTHERWISE.

SEE SHEET 41 FOR -L- PROFILE
SEE SHEET 51 FOR -Y10- PROFILE