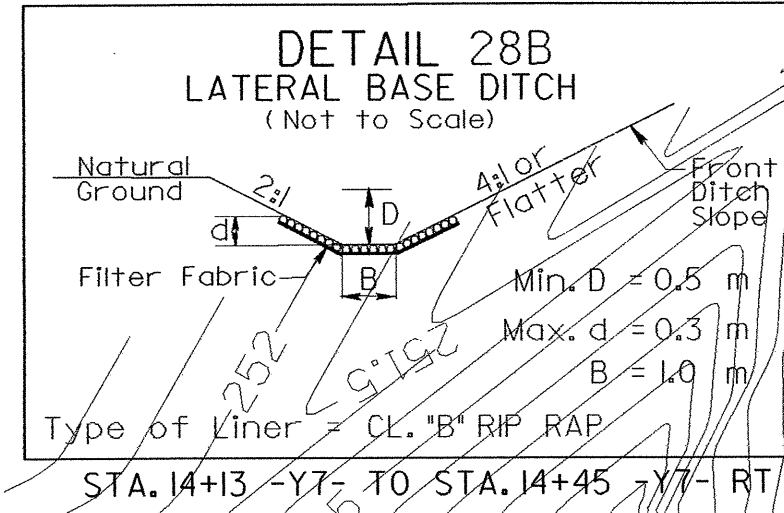
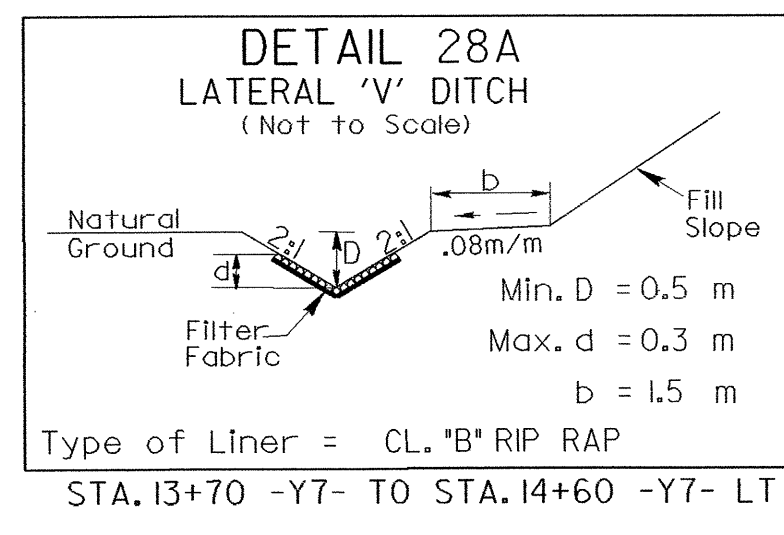


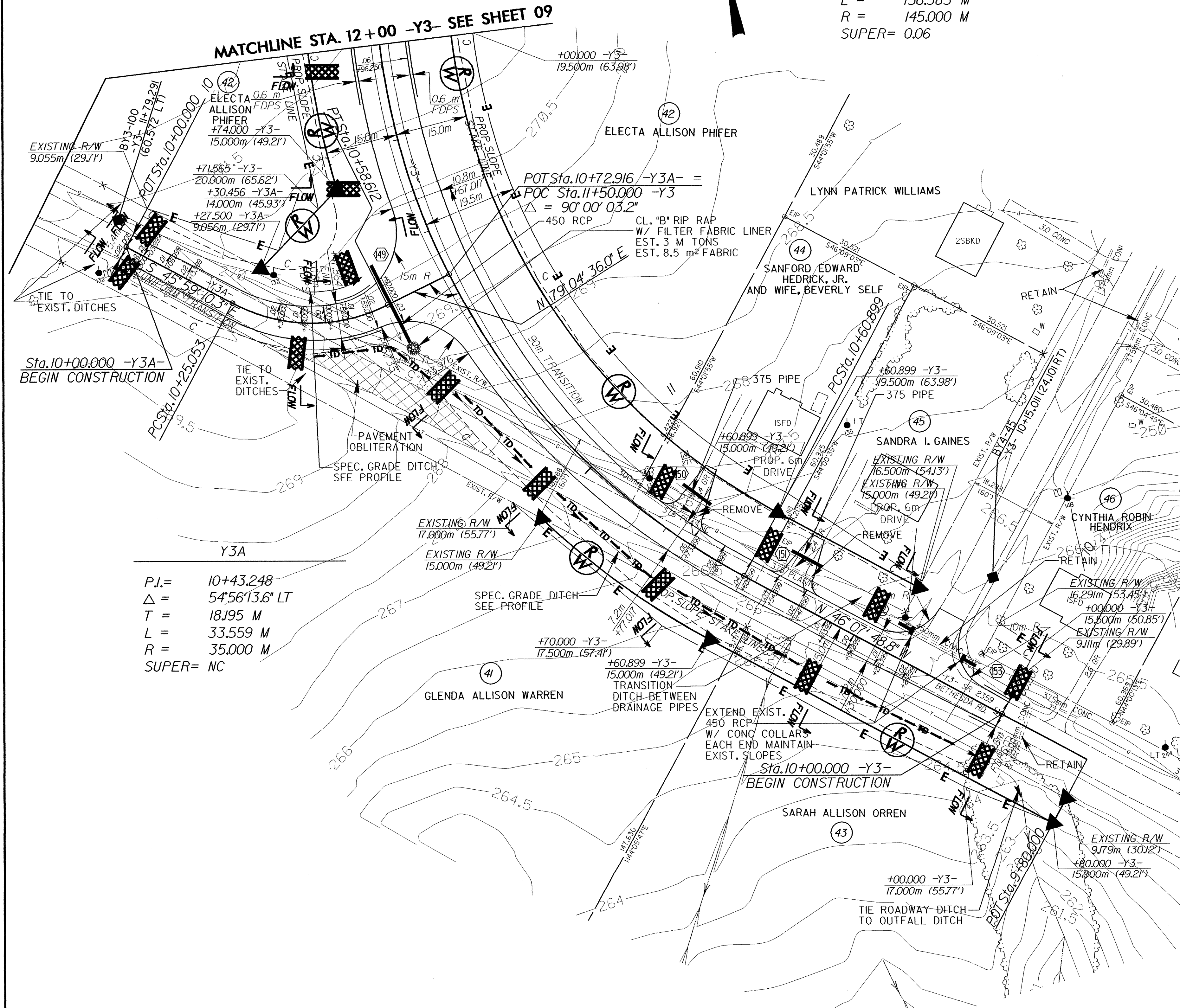
PROJECT REFERENCE NO.	SHEET NO.
R-2911A	EC-29/CONST.28
R/W SHEET NO.	
ROADWAY DESIGN ENGINEER	HYDRAULICS ENGINEER
CONST. REV.	
R/W REV.	

NOTE:
PLACE TEMPORARY ROCK SEDIMENT DAMS TYPE- B
AND TEMPORARY ROCK SILT CHECKS TYPE-A AT
DRAINAGE OUTLETS.

CLEARING AND GRUBBING
EROSION CONTROL FOR
CONSTRUCTION SHEET 28



Y3
P.J.= 11+47.669
Δ = 61°47'37.2" RT
T = 86.770 M
L = 156.383 M
R = 145.000 M
SUPER= 0.06



Y3A
P.J.= 10+43.248
Δ = 54°56'13.6" LT
T = 18.195 M
L = 33.559 M
R = 35.000 M
SUPER= NC

NOTE:
ALL PROP. DRIVEWAY RADII
3.0m UNLESS SHOWN OTHERWISE.

SEE SHEET 47 FOR -Y3- AND -Y3A- PROFILE

SEE SHEET 49 FOR -Y7- PROFILE