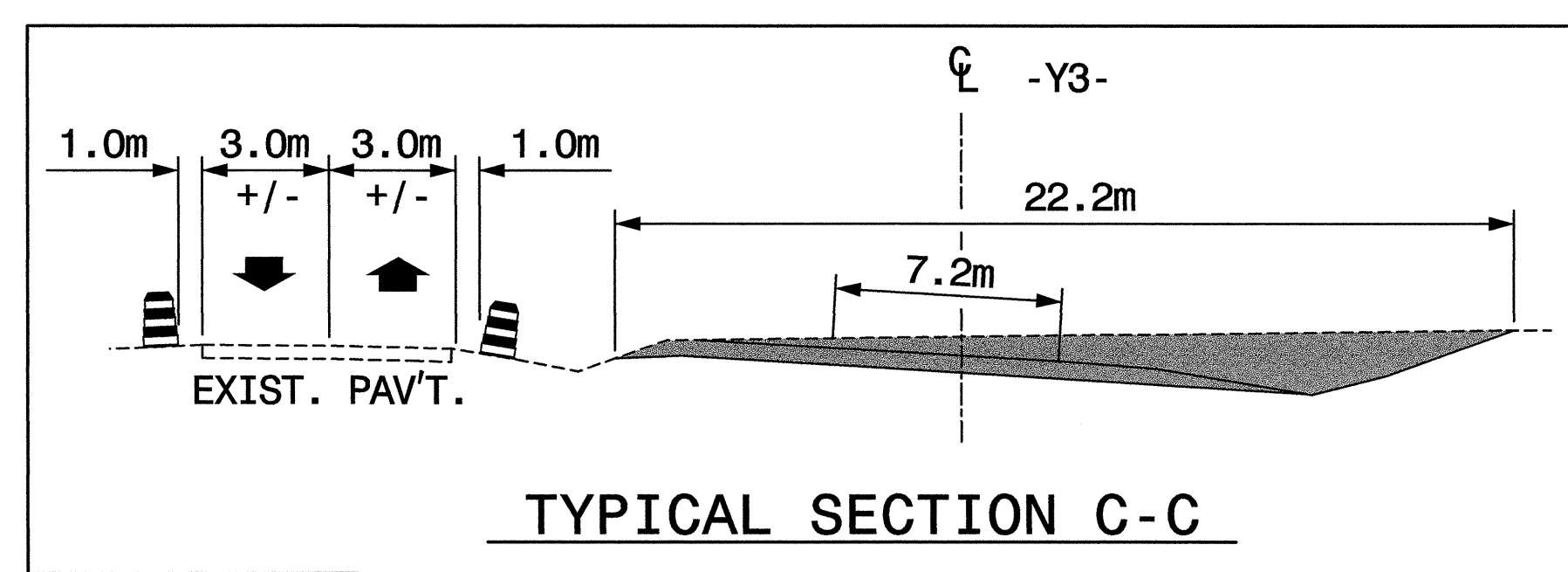
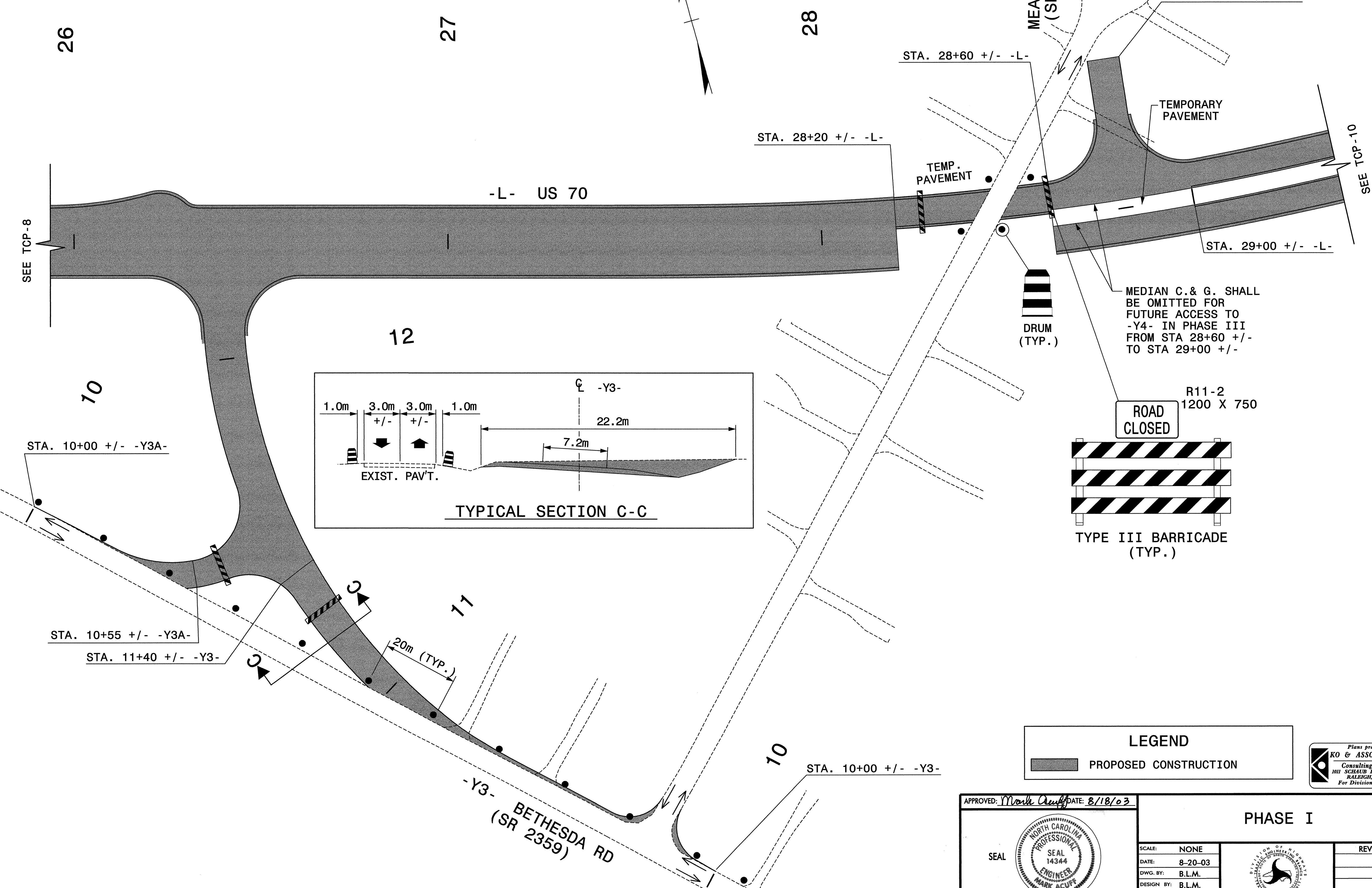




PROJ. REFERENCE NO.	SHEET NO.
R-2911A	TCP-9

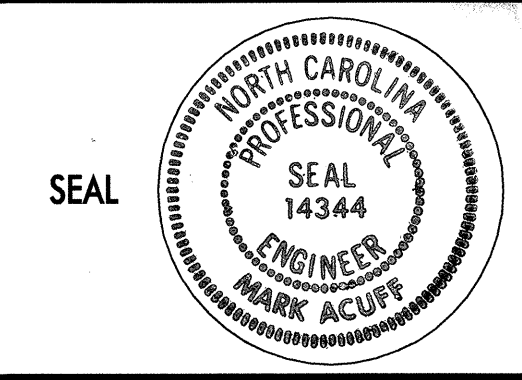


LEGEND

	PROPOSED CONSTRUCTION
--	-----------------------

Plans prepared by:
KO & ASSOCIATES, P.C.
 Consulting Engineers
 1011 SCHAUB DR., SUITE #202
 RALEIGH, N.C. 27606
 For Division of Highways

APPROVED: *Mark Acuff* DATE: 8/18/03



PHASE I		REVISIONS	
SCALE: NONE			
DATE: 8-20-03			
DWG. BY: B.L.M.			
DESIGN BY: B.L.M.			
REVIEWED BY: M.S.A.			

p:\TRAFFIC\Sub Jobs\2911A\F007\PHID.dgn
 08/15/2003 02:39:04 PM