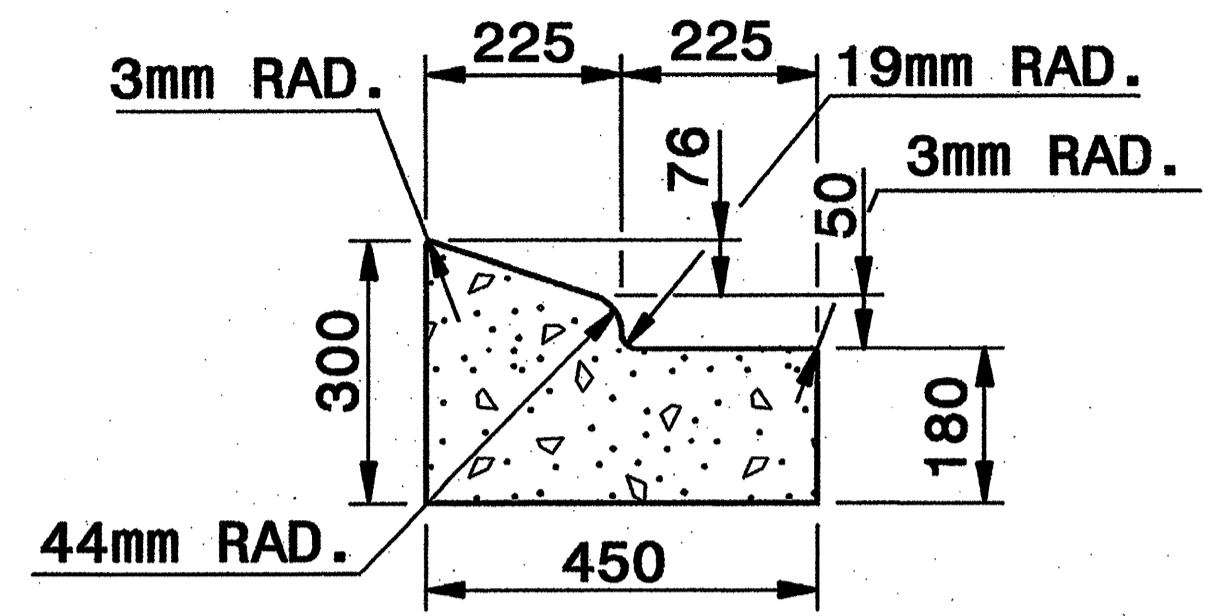


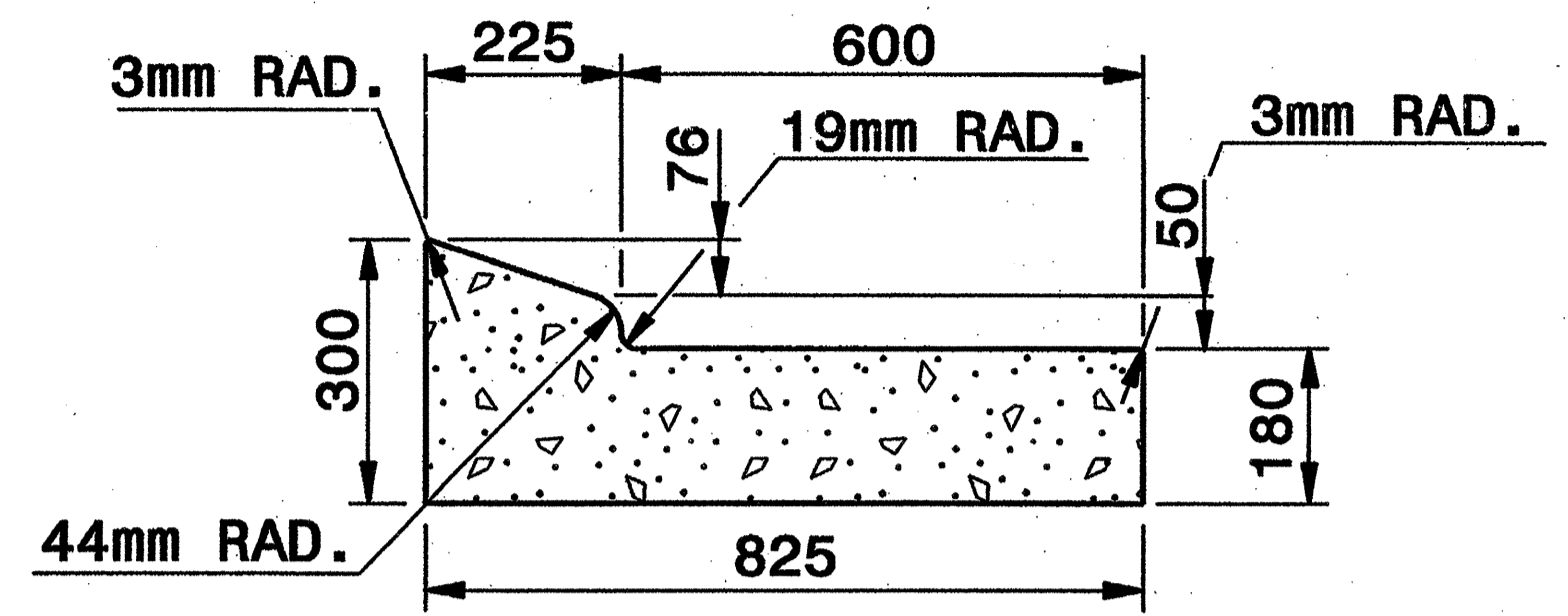


NOTE: SEE STD. DWG. 846.01 FOR ADDITIONAL CURB AND GUTTER INFORMATION.

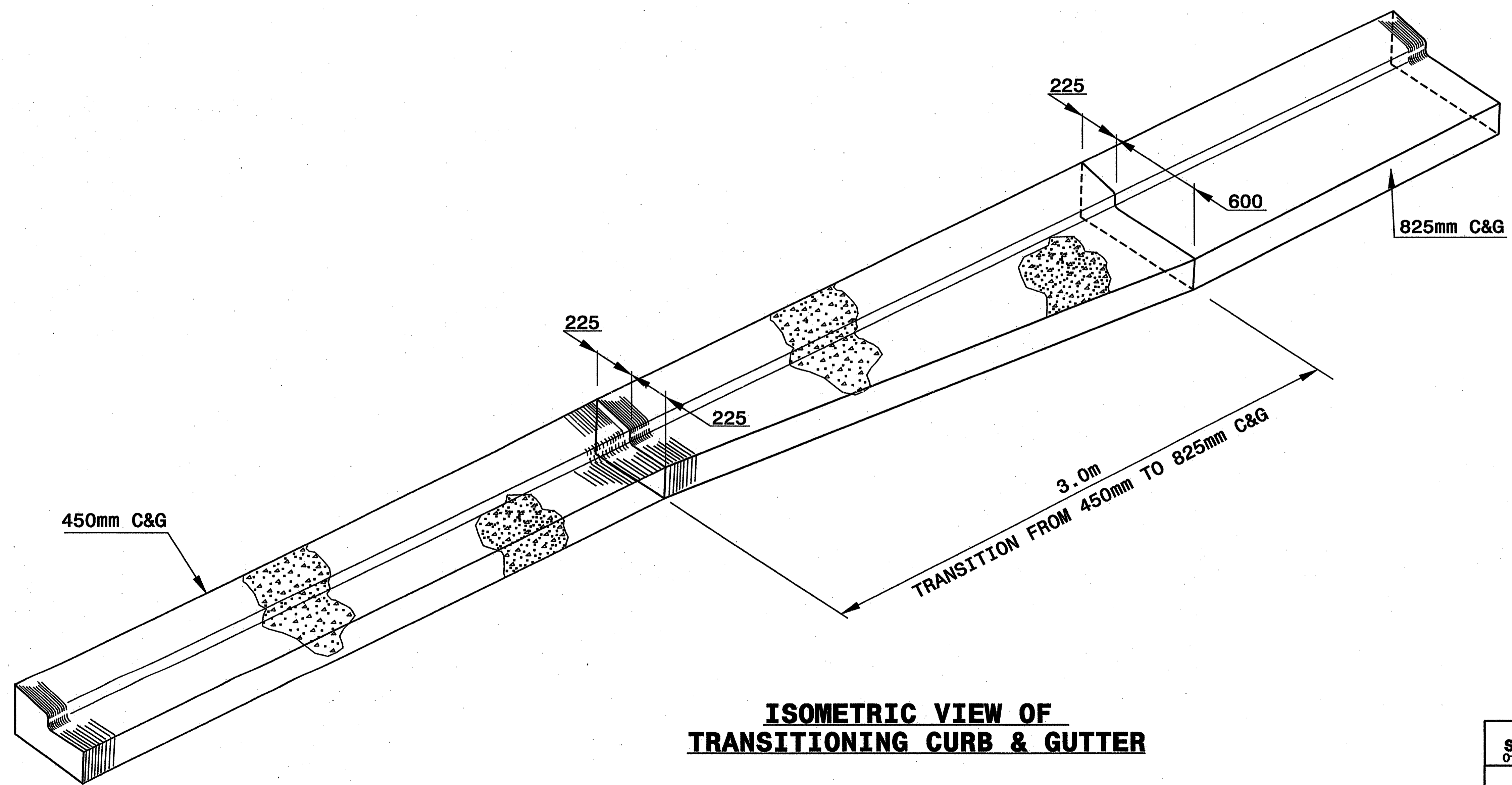
SEE ROADWAY PLANS FOR LOCATION OF CURB TRANSITION.



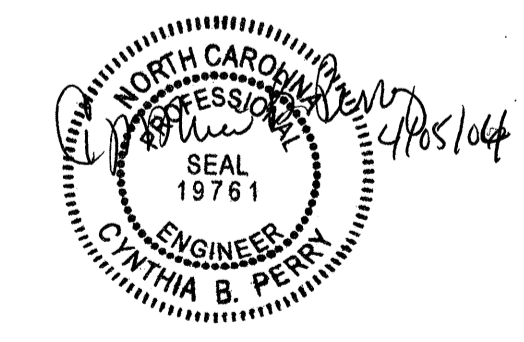
450mm CURB AND GUTTER



825mm CURB AND GUTTER



**ISOMETRIC VIEW OF
TRANSITIONING CURB & GUTTER**



DESIGN SERVICES UNIT
STANDARDS AND SPECIAL DESIGN
Office 919-250-4128 FAX 919-250-4119

**DETAIL OF 450mm
TO 825mm CURB & GUTTER
TRANSITION SECTION**

ORIGINAL BY: T.S. SPELL DATE: MARCH 9, 2000
 MODIFIED BY: T.S. SPELL DATE: NOV. 28, 2001
 CHECKED BY: C.T. [Signature] DATE: 11-01
 FILE SPEC.: DS174:/usr/detail/stand/cgtransit.dgn

29-NOV-2001 14:50
 W:\Special Details\550e11\stand\cgtransit.dgn
 ericward AT DS186660