



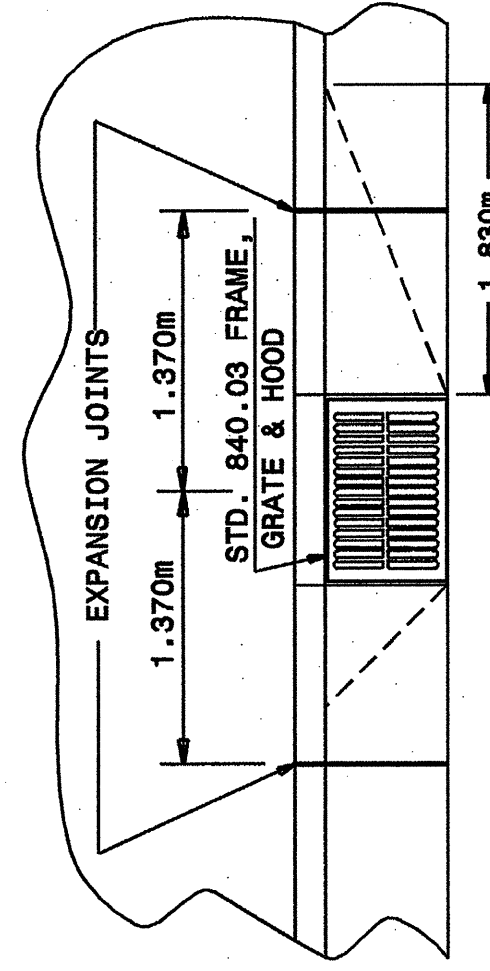
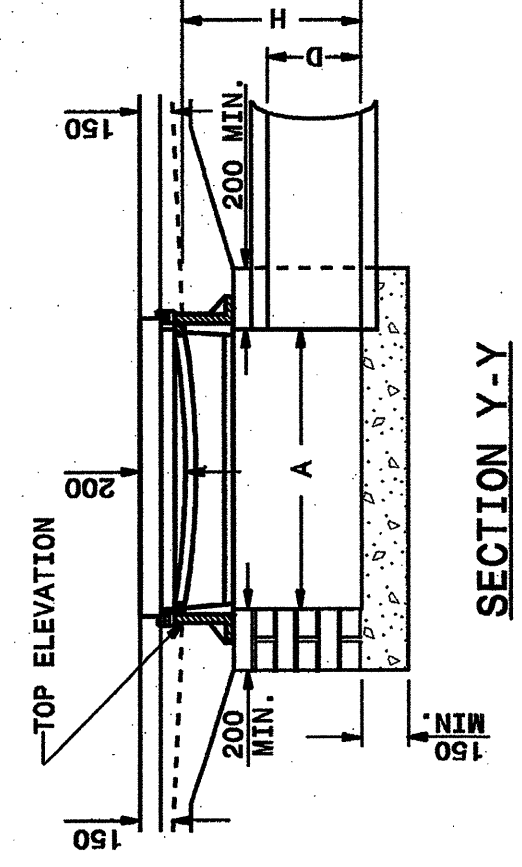
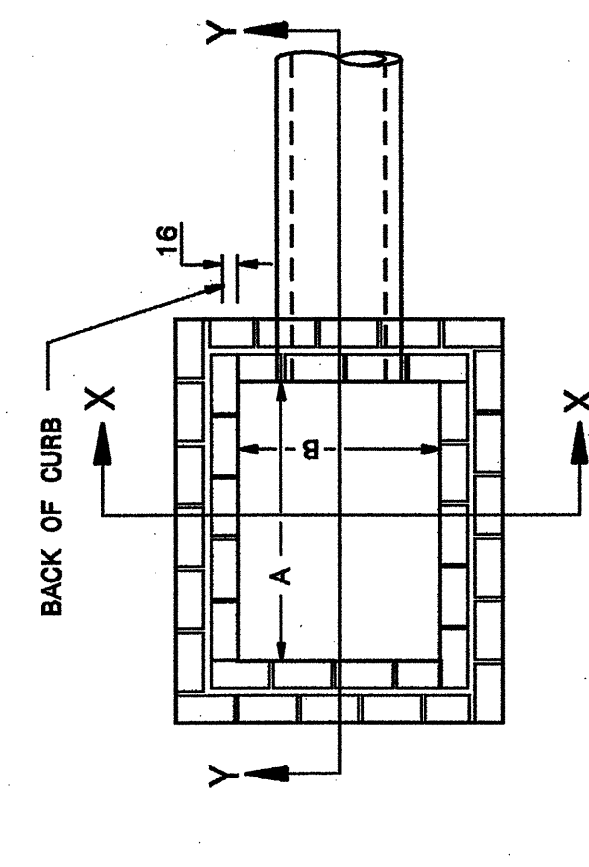
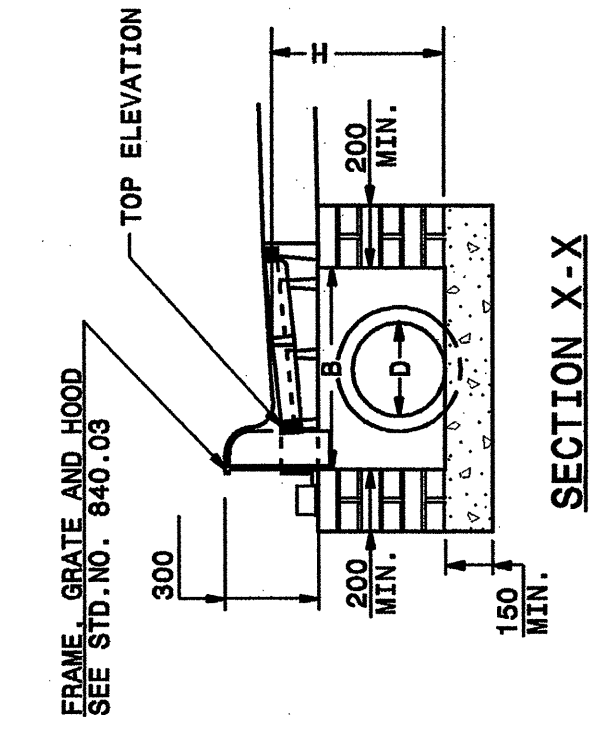
5/14/99
 23-JUL-2002 10:05
 M:\Special Detail\hachwab\Complete\Projects\R2911A\R2911A\Basin.dgn
 hachwab AT DS181449

STATE OF NORTH CAROLINA
 DEPT. OF TRANSPORTATION
 RALEIGH, N.C.

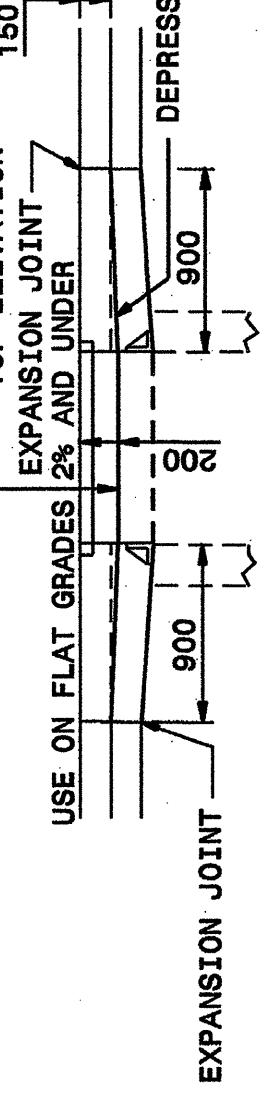
ENGLISH DETAIL DRAWING FOR
MINIMUM DEPTH BRICK CATCH BASIN
 300mm THRU 600mm PIPE

SHEET 1 OF 1
840D01

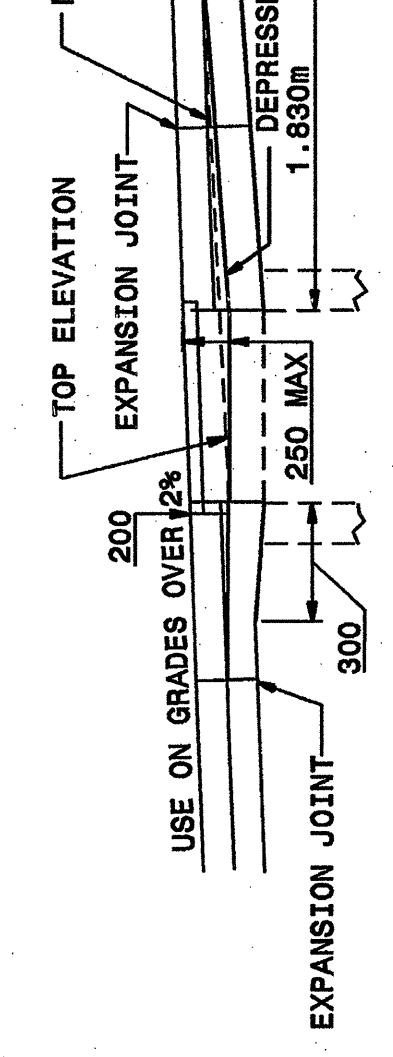
GENERAL NOTES:
 MORTAR JOINTS 13mm TO 3mm THICK.
 USE CLASS "B" CONCRETE THROUGHOUT.
 USE FORMS FOR CONSTRUCTION OF THE BOTTOM SLAB.
 DEDUCT FOR PIPE(S) FROM TOTAL CU. METERS OF BRICK MASONRY.
 USE TYPE "E", "F" AND "G" GRATES UNLESS OTHERWISE INDICATED.
 USE BRICK OR CONCRETE BLOCK WHICH COMPLIES WITH THE REQUIREMENTS OF SECTION 840 OF THE STANDARD SPECIFICATIONS.
 IF REINFORCED CONCRETE PIPE IS SET IN BOTTOM SLAB OF BOX, ADD TO SLAB AS SHOWN ON STD. NO. 840.00.
 CONSTRUCT WITH PIPE CROWNS MATCHING.
 CHAMFER ALL EXPOSED CORNERS 25mm.
 DRAWING NOT TO SCALE.



EXPANSION JOINTS
 STD. 840.03 FRAME
 GRATE & HOOD



CURB AND GUTTER WITH CATCH BASIN ON STEEP GRADES
 TOP ELEVATION
 EXPANSION JOINT
 USE ON FLAT GRADES 2% AND UNDER
 900
 150
 DEPRESSED GUTTER LINE



NORMAL CURB AND GUTTER ON LIGHT GRADES
 TOP ELEVATION
 EXPANSION JOINT
 USE ON GRADES OVER 2%
 200
 250 MAX
 1.830m
 DEPRESSED GUTTER LINE
 300

MINIMUM DIMENSIONS AND QUANTITIES FOR BRICK CATCH BASIN

DIMENSIONS OF BOX AND PIPE	CU. METERS CONC. IN BOX		BRICK MASONRY		DEDUCTIONS	
	SPAN	WIDTH	TOTAL	BRICK AND CONCRETE	C.S.	R.C.
PIPE D.	A	B	BOTTOM SLAB	TOTAL	TOTAL	ONE PIPE
300	900	660	0.214	0.214	0.675	0.089
375	900	660	0.214	0.214	0.736	0.095
450	900	660	0.214	0.214	0.797	0.101
600	900	660	0.214	0.214	0.921	0.135

STATE OF NORTH CAROLINA
 DEPT. OF TRANSPORTATION
 DIVISION OF HIGHWAYS
 RALEIGH, N.C.

ENGLISH DETAIL DRAWING FOR
MINIMUM DEPTH BRICK CATCH BASIN
 300mm THRU 600mm PIPE

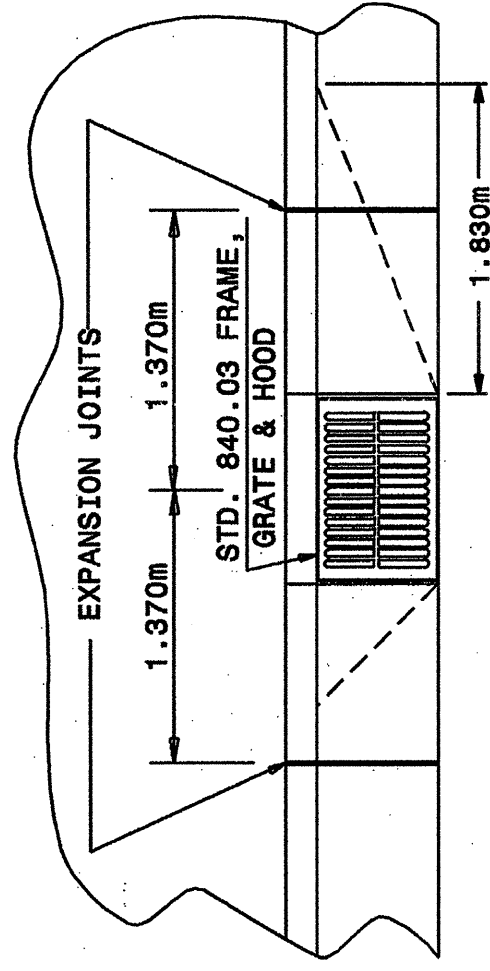
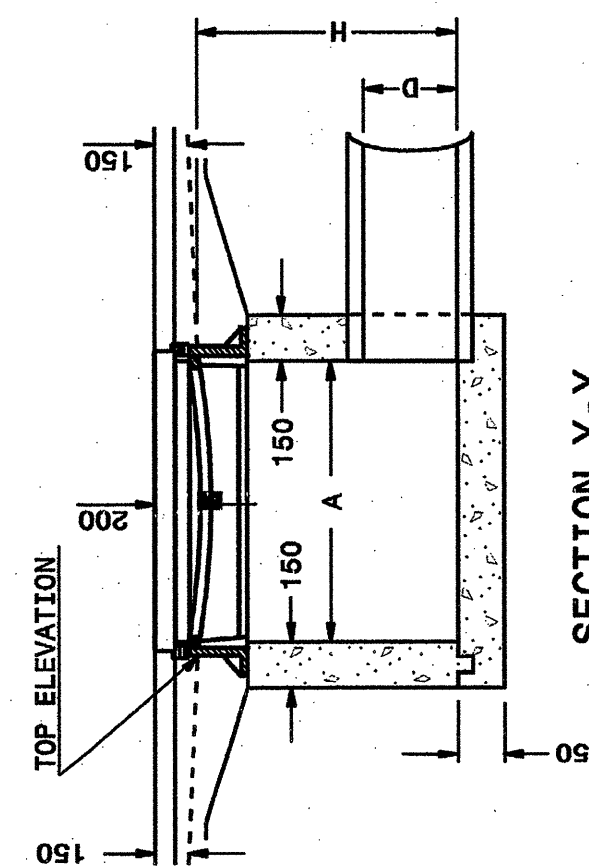
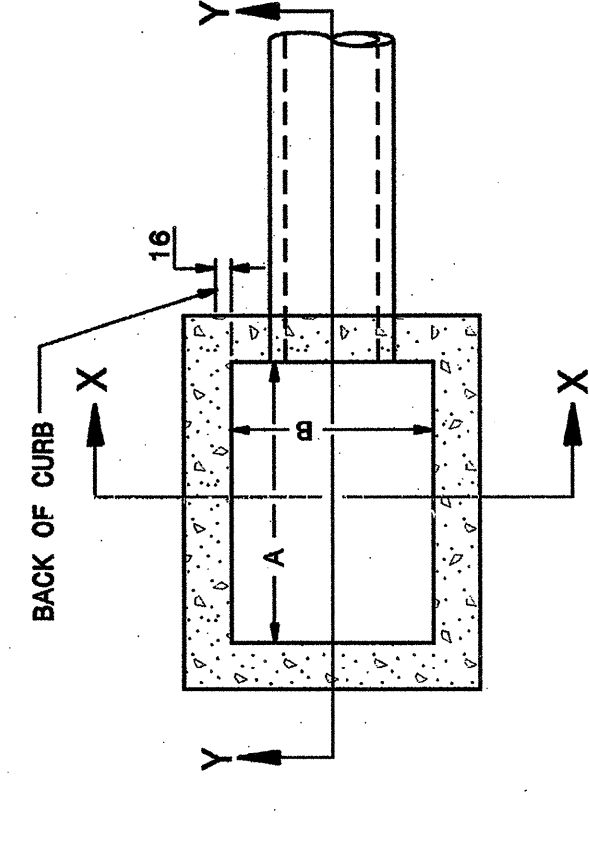
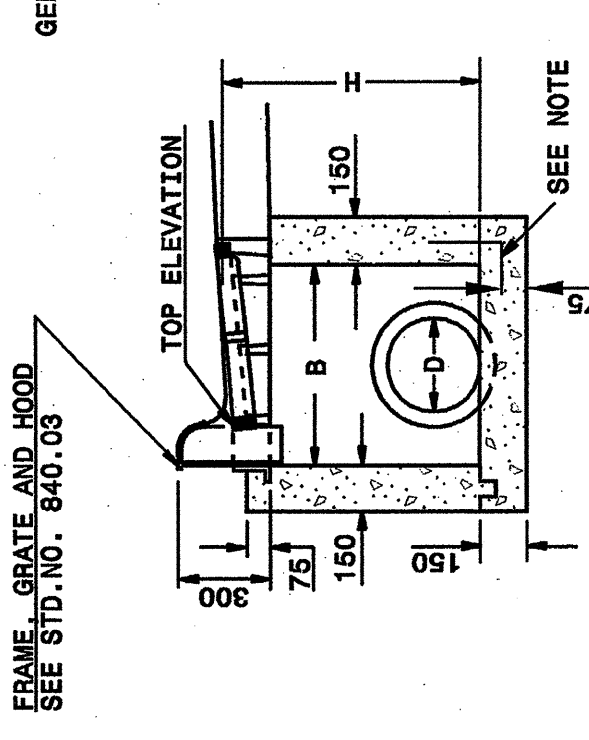
SHEET 1 OF 1
840D01

STATE OF NORTH CAROLINA
 DEPT. OF TRANSPORTATION
 RALEIGH, N.C.

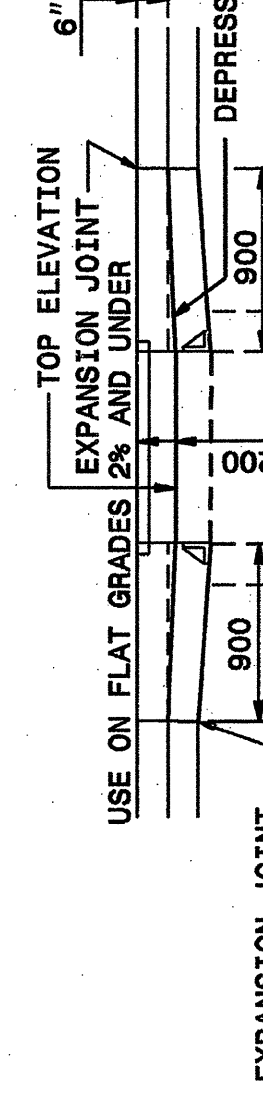
ENGLISH DETAIL DRAWING FOR
MINIMUM DEPTH CONCRETE CATCH BASIN
 300mm THRU 600mm PIPE

SHEET 1 OF 1
840D02

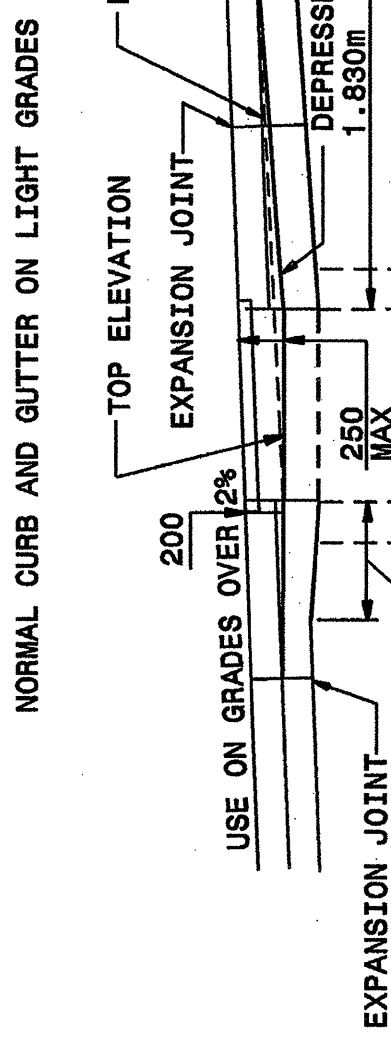
GENERAL NOTES:
 USE CLASS "B" CONCRETE THROUGHOUT.
 OPTIONAL CONSTRUCTION - MONOLITHIC POUR, 50mm KEYWAY, OR #13 BAR DOWELS AT 12" CENTERS AS DIRECTED BY THE ENGINEER.
 USE FORMS FOR THE CONSTRUCTION OF THE BOTTOM SLAB.
 IF REINFORCED CONCRETE PIPE IS SET IN BOTTOM SLAB OF BOX, ADD TO SLAB AS SHOWN ON STD. NO. 840.00.
 USE TYPE "E", "F" AND "G" GRATES UNLESS OTHERWISE INDICATED.
 CONSTRUCT WITH PIPE CROWNS MATCHING.
 CHAMFER ALL EXPOSED CORNERS 25mm.
 DRAWING NOT TO SCALE.



EXPANSION JOINTS
 STD. 840.03 FRAME
 GRATE & HOOD



CURB AND GUTTER WITH CATCH BASIN ON STEEP GRADES
 TOP ELEVATION
 EXPANSION JOINT
 USE ON FLAT GRADES 2% AND UNDER
 900
 150
 DEPRESSED GUTTER LINE



NORMAL CURB AND GUTTER ON LIGHT GRADES
 TOP ELEVATION
 EXPANSION JOINT
 USE ON GRADES OVER 2%
 200
 250 MAX
 1.830m
 DEPRESSED GUTTER LINE
 300

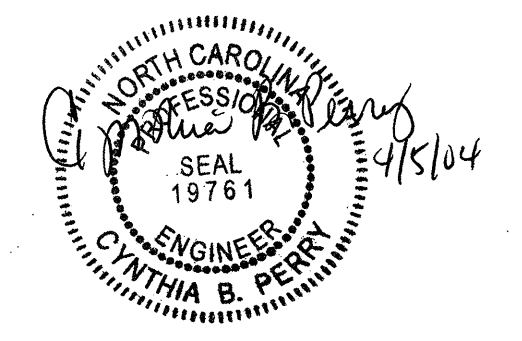
MINIMUM DIMENSIONS AND QUANTITIES FOR CONCRETE CATCH BASIN

DIMENSIONS OF BOX AND PIPE	CU. METERS CONC. IN BOX		CONCRETE CONC. IN WALLS		DEDUCTIONS	
	SPAN	WIDTH	TOTAL	TOTAL	C.S.	R.C.
PIPE D.	A	B	BOTTOM SLAB	CONCRETE IN WALLS	TOTAL	ONE PIPE
300	900	660	0.179	0.355	0.514	0.011
375	900	660	0.179	0.377	0.556	0.017
450	900	660	0.179	0.419	0.589	0.025
600	900	660	0.179	0.516	0.695	0.045

STATE OF NORTH CAROLINA
 DEPT. OF TRANSPORTATION
 DIVISION OF HIGHWAYS
 RALEIGH, N.C.

ENGLISH DETAIL DRAWING FOR
MINIMUM DEPTH CONCRETE CATCH BASIN
 300mm THRU 600mm PIPE

SHEET 1 OF 1
840D02



DESIGN SERVICES UNIT
 STANDARDS AND SPECIAL DESIGN
 Office 919-250-4128 FAX 919-250-4119

SEE PLATE FOR TITLE

ORIGINAL BY: STD. 840.01 DATE: 3-1-02
 MODIFIED BY: E.E. WARD DATE: 6-27-02
 MODIFIED BY: H. SCHWAB DATE: 7-02
 CHECKED BY: C.E. Schuchardt DATE: 7-02
 FILE SPEC.: