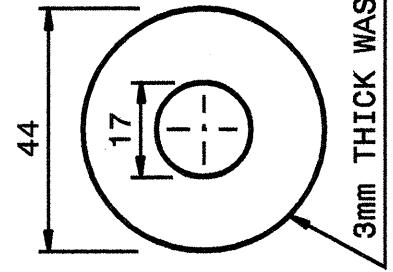
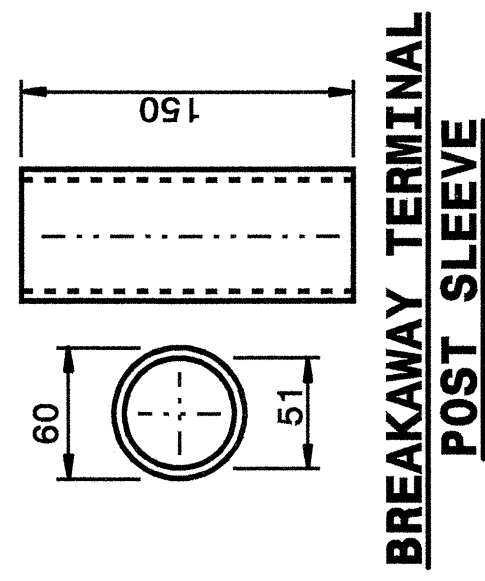


20-MAY-2003 07:54
 W:\Special Design\forward\stds\02\Stds to Special Details\metric\86202\0862d02m.dgn
 .spcl - At 03170310

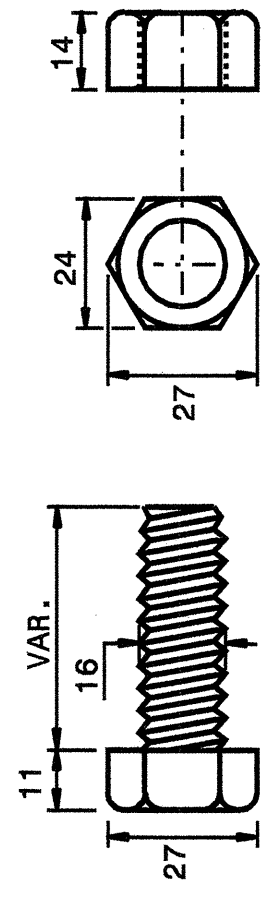
STATE OF
 NORTH CAROLINA
 DEPT. OF TRANSPORTATION
 DIVISION OF HIGHWAYS
 RALEIGH, N.C.

METRIC DETAIL DRAWING FOR
GUARDRAIL INSTALLATION

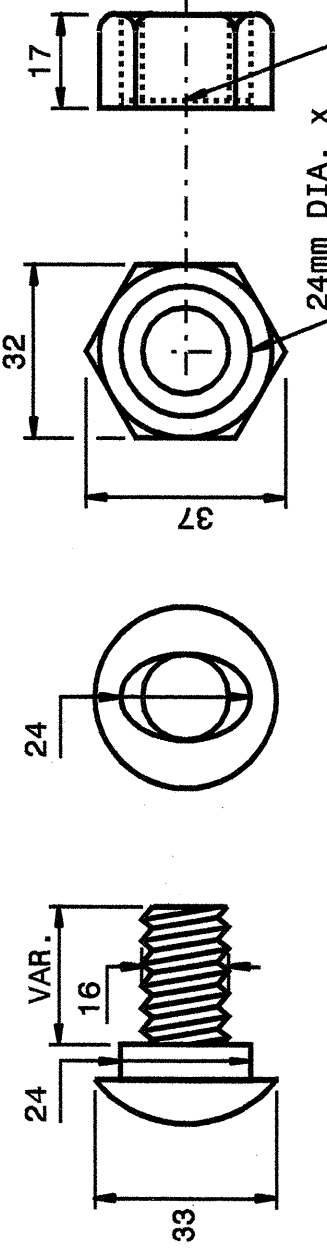
SHEET 5 OF 7
862D02



DETAIL OF STANDARD WASHER
 STANDARD WASHER: TYPICAL USE UNDER NUT WITH WOOD POST



DETAIL OF STANDARD HEX BOLT AND NUT



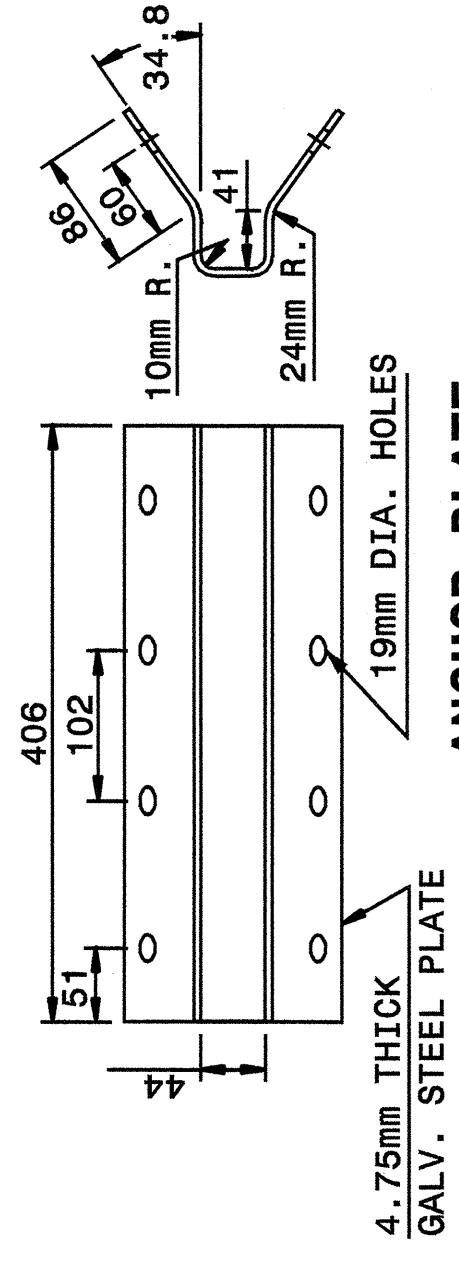
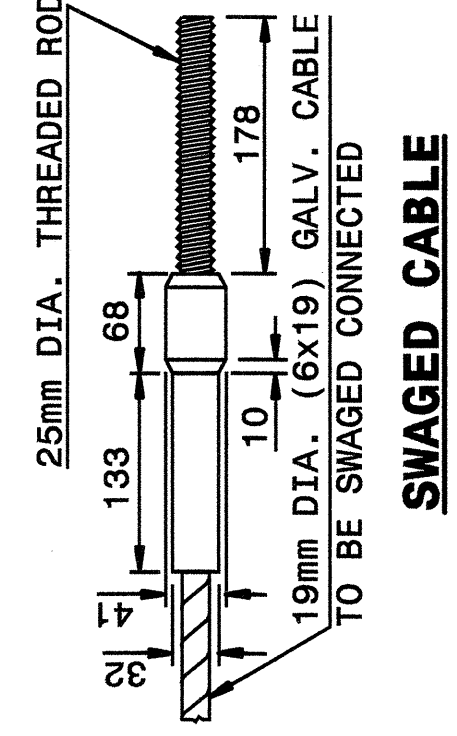
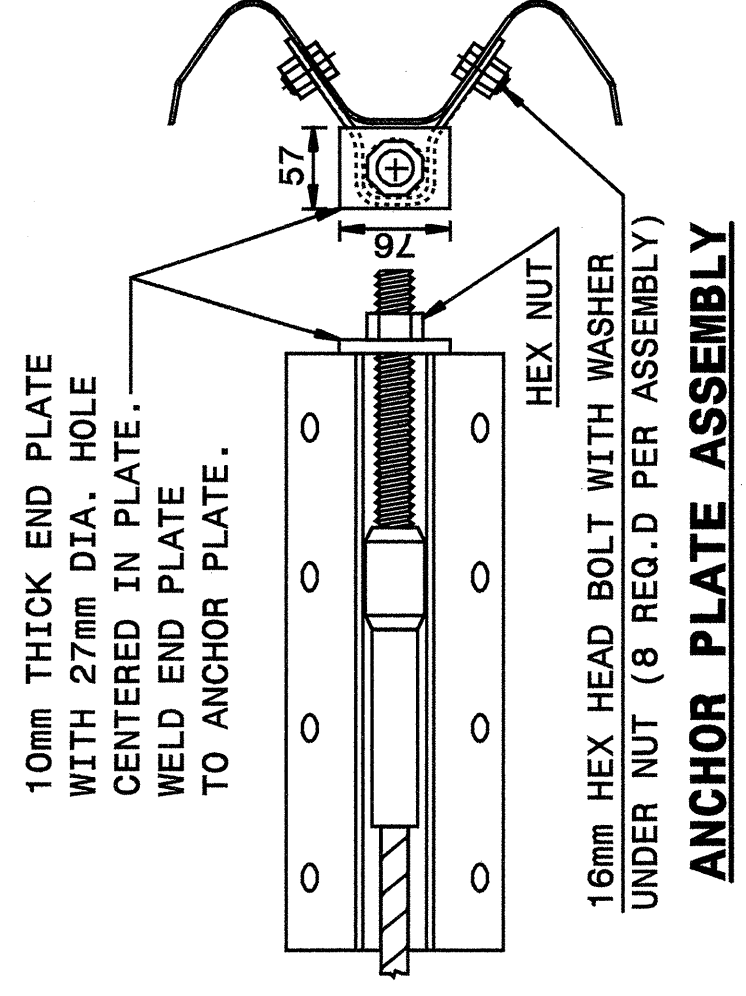
DETAIL OF BUTTON HEAD BOLT AND NUT

Note: This drawing is dimensioned in millimeters unless otherwise depicted within the drawing.

STATE OF
 NORTH CAROLINA
 DEPT. OF TRANSPORTATION
 DIVISION OF HIGHWAYS
 RALEIGH, N.C.

METRIC DETAIL DRAWING FOR
GUARDRAIL INSTALLATION

SHEET 5 OF 7
862D02

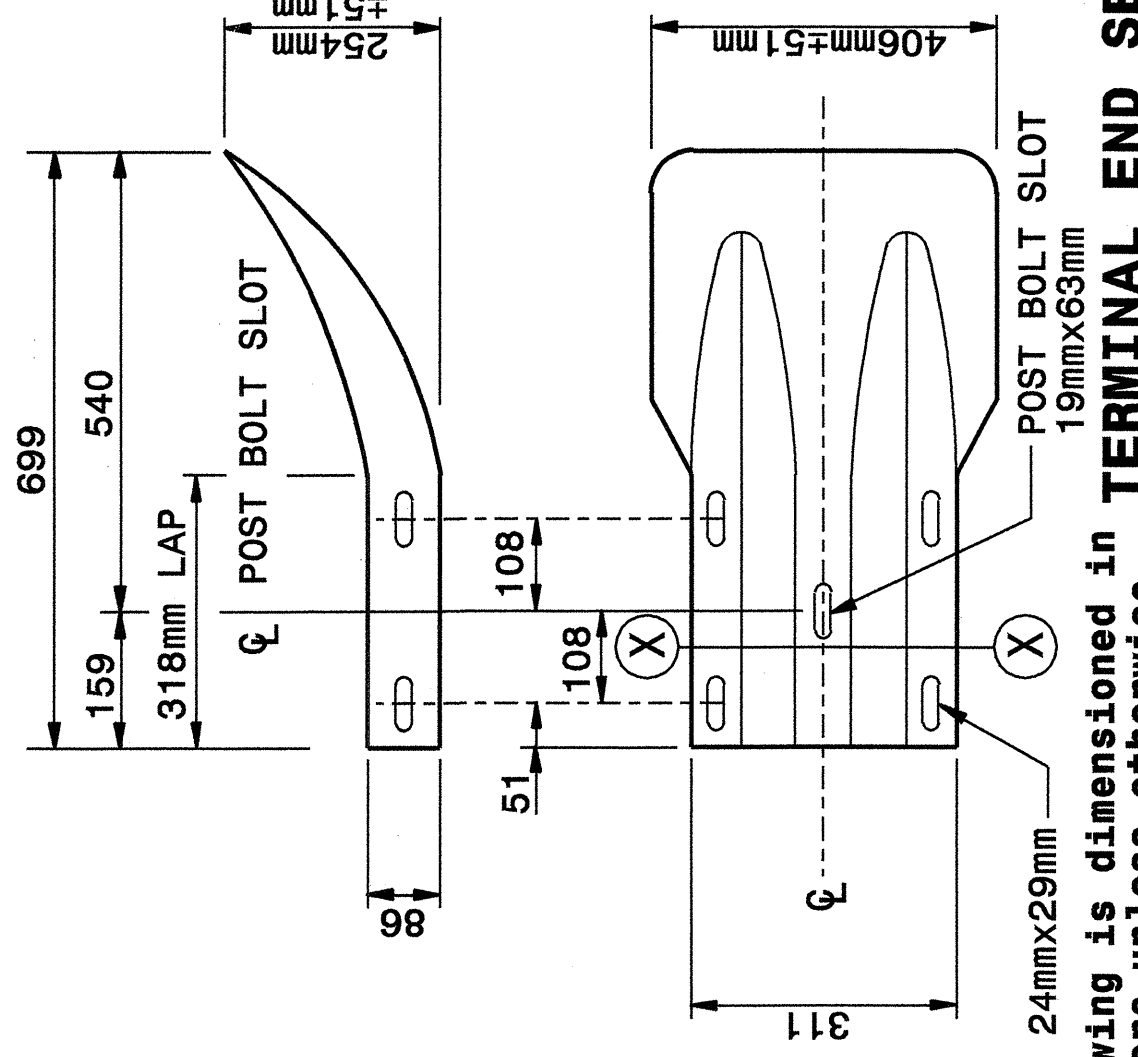
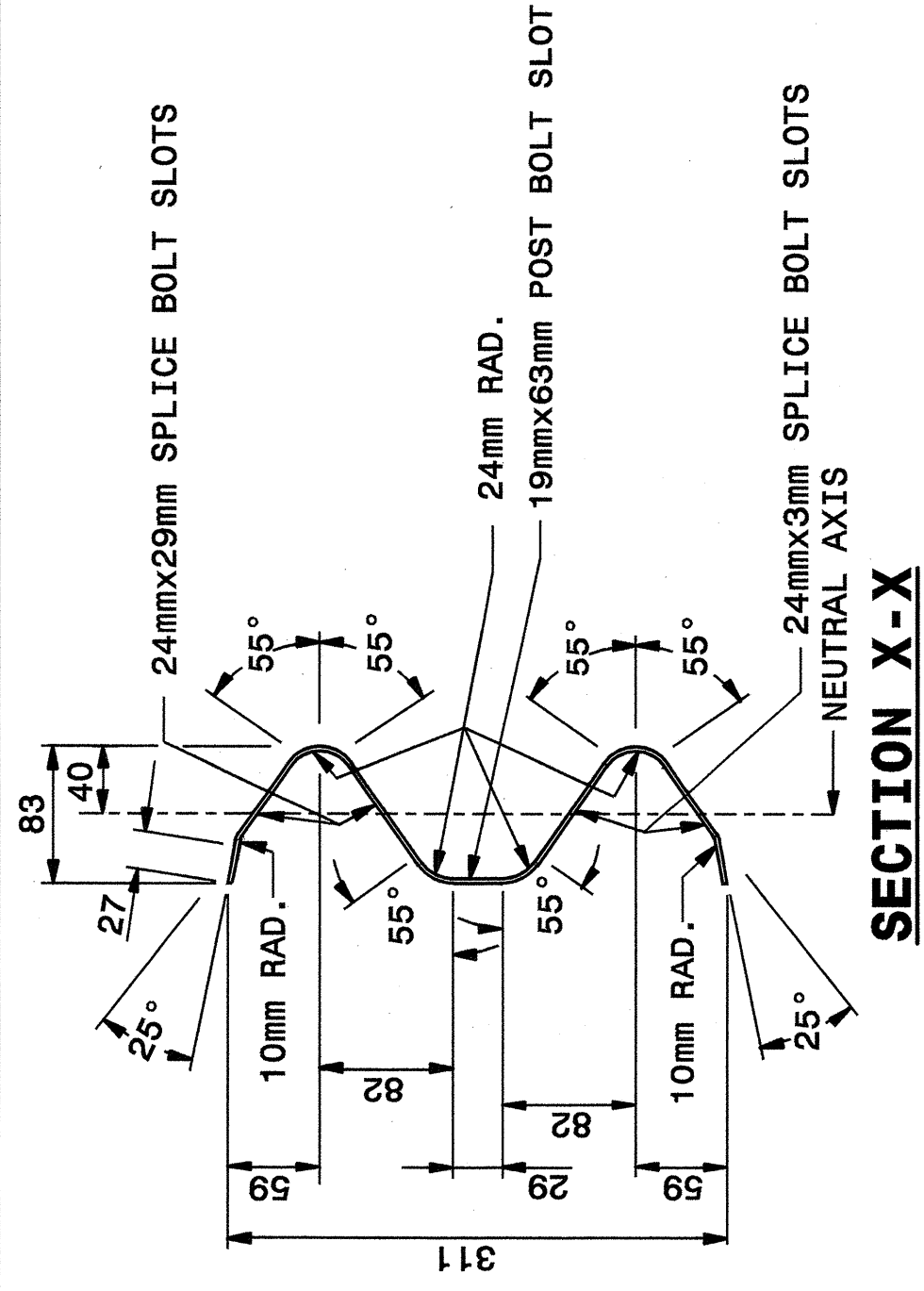


SYSTEM PARTS

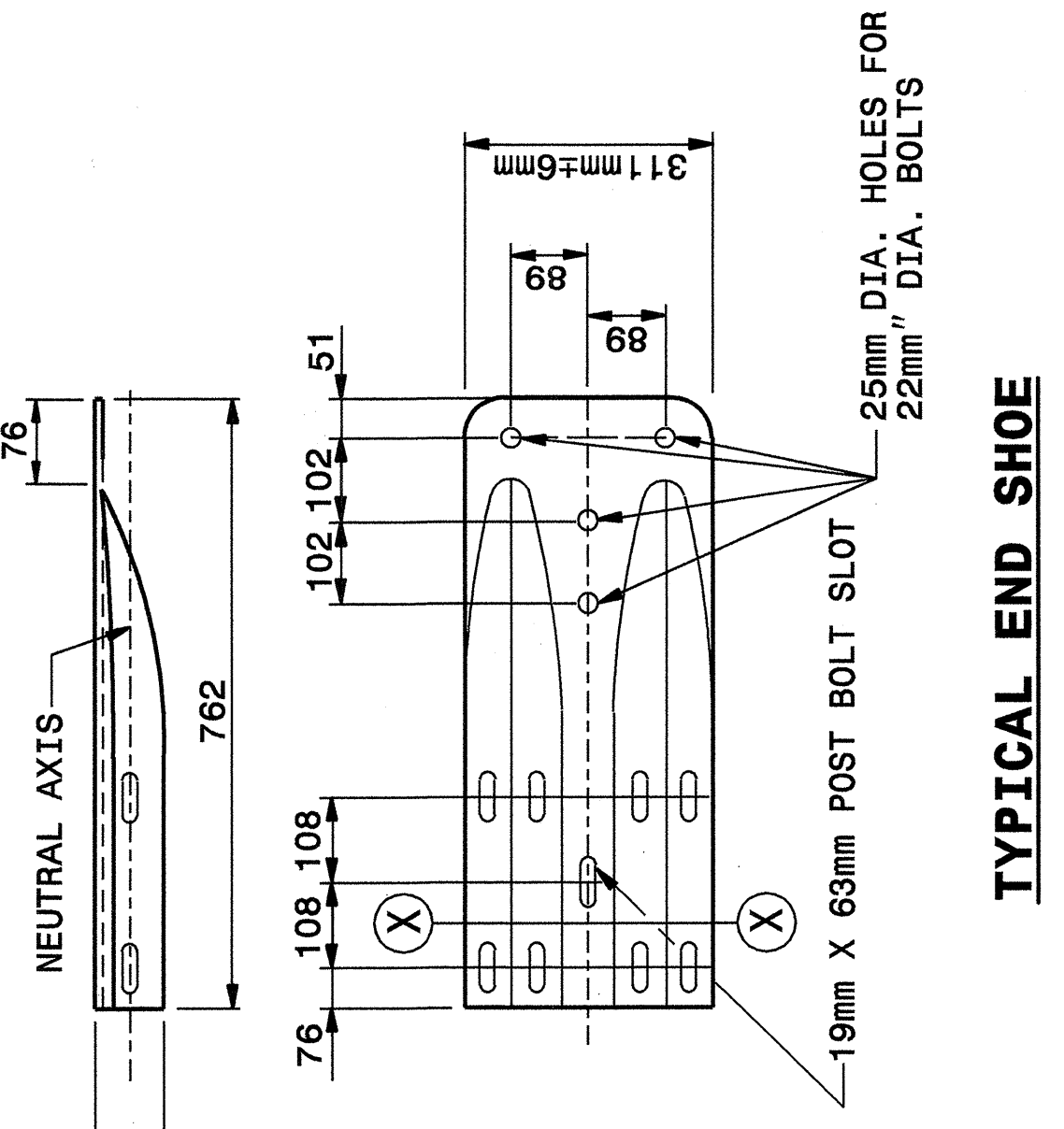
STATE OF
 NORTH CAROLINA
 DEPT. OF TRANSPORTATION
 DIVISION OF HIGHWAYS
 RALEIGH, N.C.

METRIC DETAIL DRAWING FOR
GUARDRAIL INSTALLATION

SHEET 6 OF 7
862D02



Note: This drawing is dimensioned in millimeters unless otherwise depicted within the drawing.



SYSTEM PARTS - GENERAL USE

DESIGN SERVICES UNIT
 STANDARDS AND SPECIAL DESIGN
 Office 919-250-4128 FAX 919-250-4119

SEE PLATE FOR TITLE

ORIGINAL BY: 2002 STD. 862.02 DATE:
 MODIFIED BY: E.E. WARD DATE: 02-09-03
 CHECKED BY: [Signature] DATE: 5-03
 FILE SPEC.: /usr/stds/02todet/1/metric/86202/862d02m.dgn

