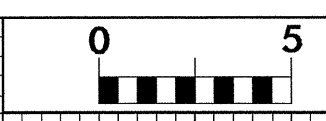


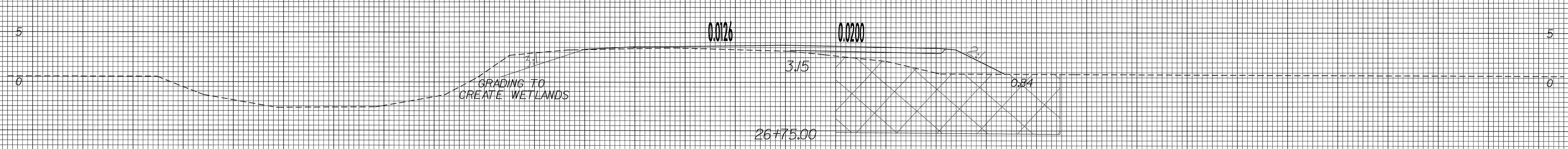
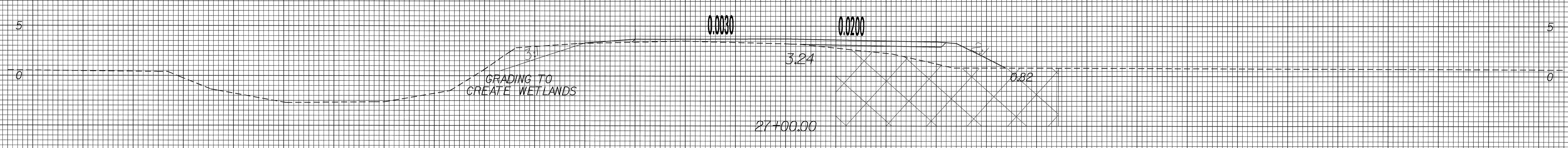
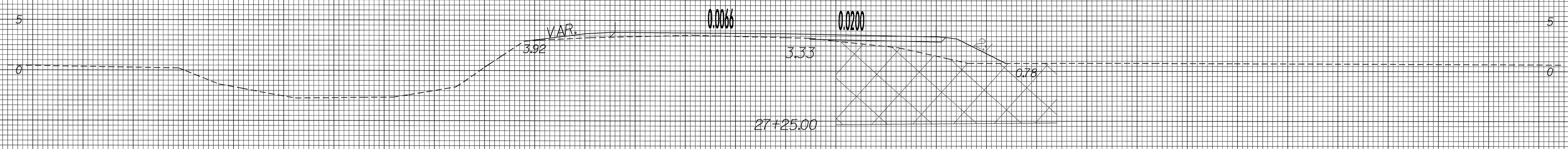
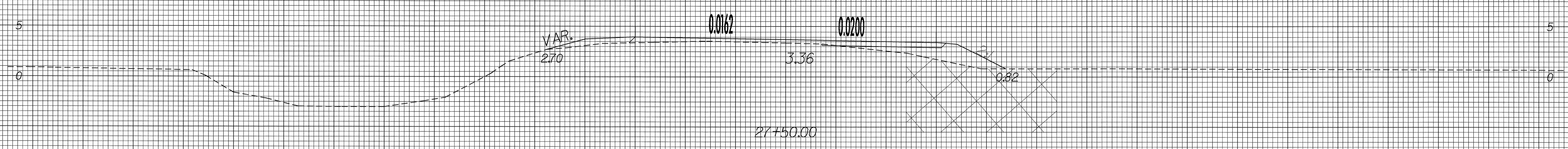
8/23/99



PROJ. REFERENCE NO.
B-3348

SHEET NO.
X-18

70 60 50 40 30 20 10 0 10 20 30 40 50 60 70



70 60 50 40 30 20 10 0 10 20 30 40 50 60 70

30-MAR-2004 01:07
JDG:sg,lp1 AT RD212398