

27-MAR-2003 13:53
 M:\Special Details\enlish\422d10\0422d10.dgn
 erickward AT 05183660

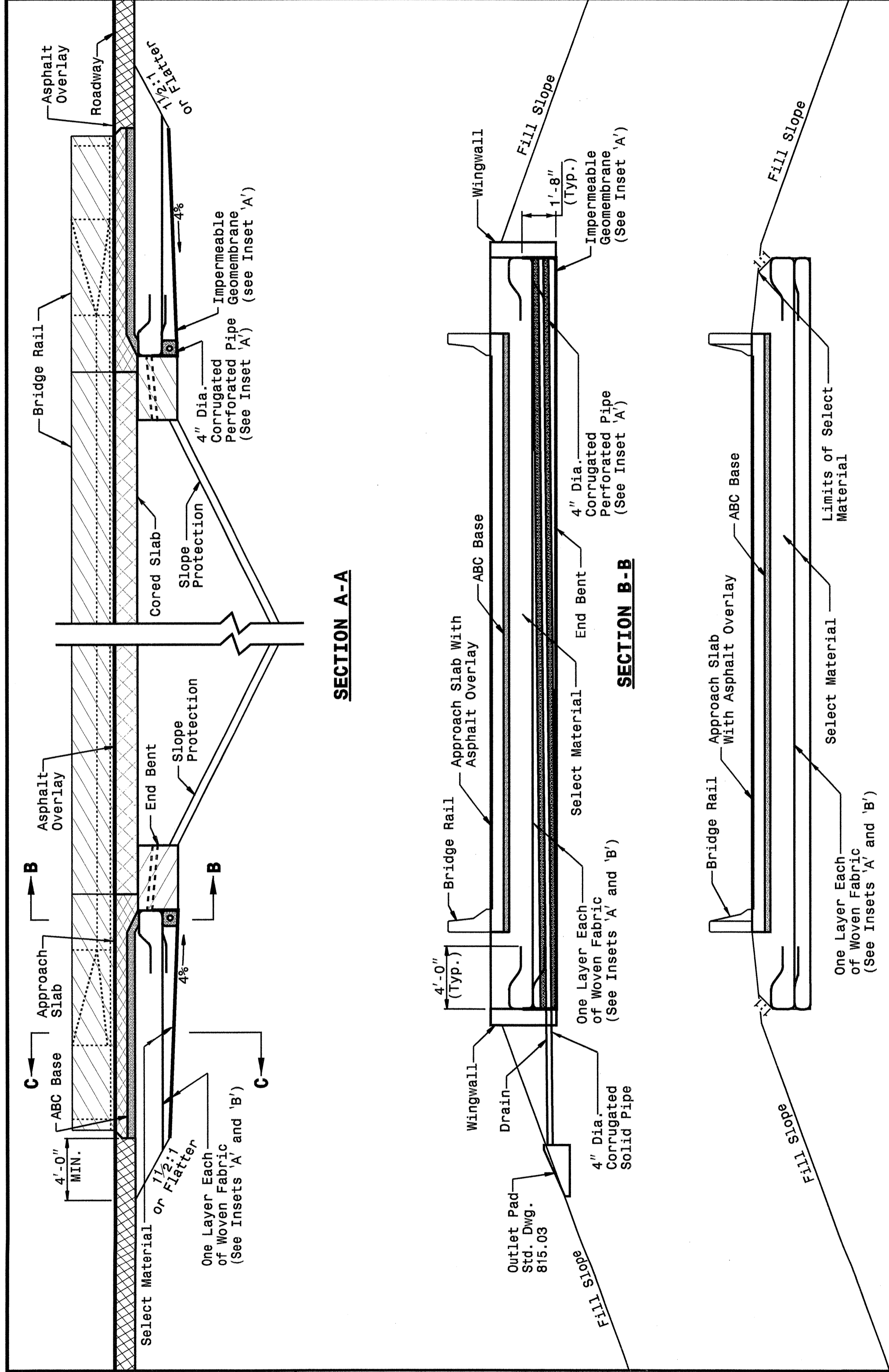
5/14/99

STATE OF NORTH CAROLINA
 DEPT. OF TRANSPORTATION
 DIVISION OF HIGHWAYS
 RALEIGH, N.C.

STATE OF NORTH CAROLINA
 DEPT. OF TRANSPORTATION
 DIVISION OF HIGHWAYS
 RALEIGH, N.C.

ENGLISH DETAIL DRAWING FOR
REINFORCED BRIDGE APPROACH FILLS
 CORED SLAB BRIDGES

ENGLISH DETAIL DRAWING FOR
REINFORCED BRIDGE APPROACH FILLS
 CORED SLAB BRIDGES



SHEET 3 OF 4
422D10

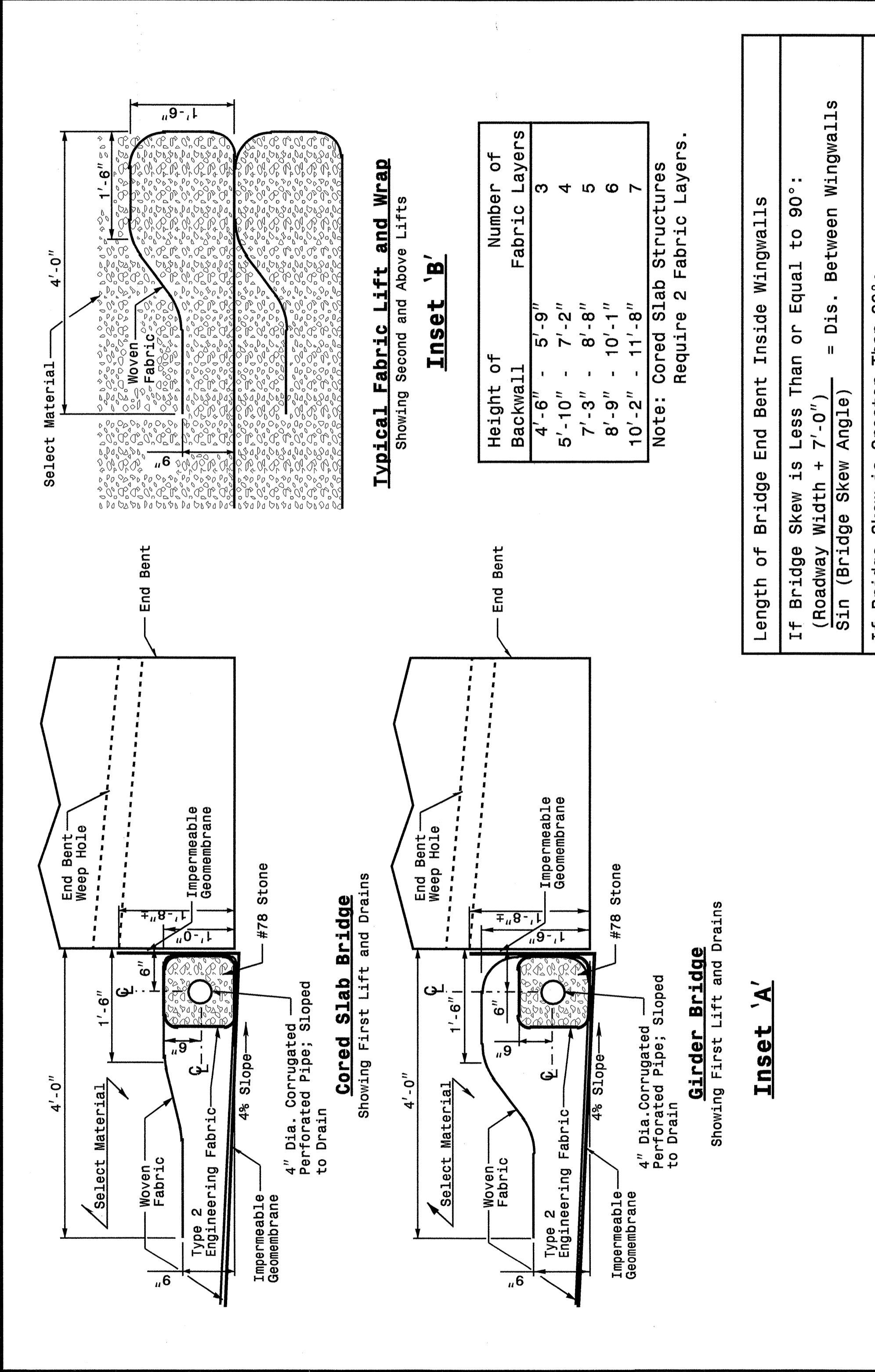
SHEET 3 OF 4
422D10

STATE OF NORTH CAROLINA
 DEPT. OF TRANSPORTATION
 DIVISION OF HIGHWAYS
 RALEIGH, N.C.

STATE OF NORTH CAROLINA
 DEPT. OF TRANSPORTATION
 DIVISION OF HIGHWAYS
 RALEIGH, N.C.

ENGLISH DETAIL DRAWING FOR
REINFORCED BRIDGE APPROACH FILLS
 INSETS AND CHARTS

ENGLISH DETAIL DRAWING FOR
REINFORCED BRIDGE APPROACH FILLS
 INSETS AND CHARTS



SHEET 4 OF 4
422D10

SHEET 4 OF 4
422D10

DESIGN SERVICES UNIT
 STANDARDS AND SPECIAL DESIGN
 Office 919-250-4128 FAX 919-250-4119

SEE PLATE FOR TITLE

ORIGINAL BY: 2002 STANDARDS DATE: 01-15-02
 MODIFIED BY: E.E. WARD DATE: 03-26-03
 CHECKED BY: *[Signature]* DATE: 3-27-03
 FILE SPEC.: stds\02stdstodetail\enlish\422d10.dgn

