

22-MAY-2003 10:47  
 V:\Special Details\ward\stds\02\stds to Special Details\english\86202\0862d02.dgn  
 erickward At 05212260

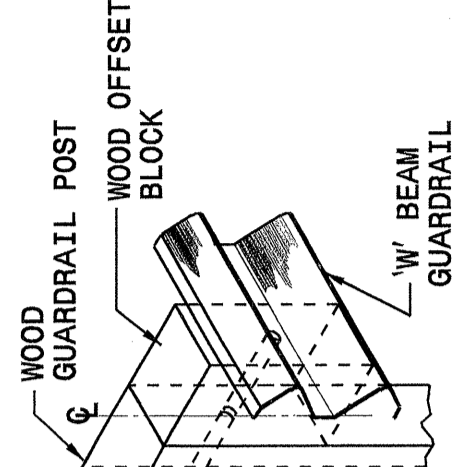
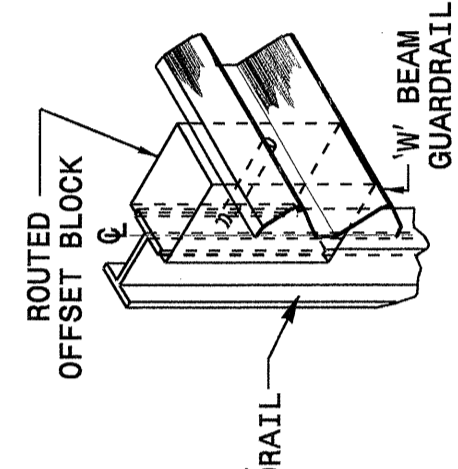
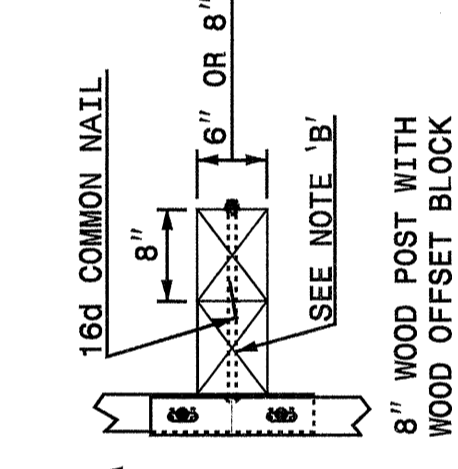
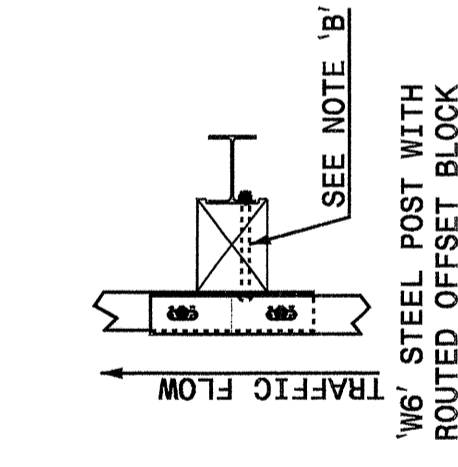
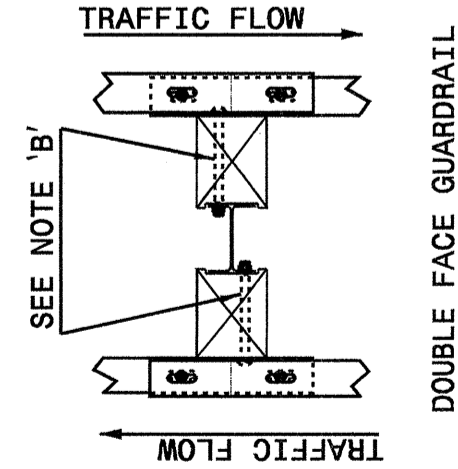
5/14/99

STATE OF NORTH CAROLINA  
 DEPT. OF TRANSPORTATION  
 DIVISION OF HIGHWAYS  
 RALEIGH, N.C.

STATE OF NORTH CAROLINA  
 DEPT. OF TRANSPORTATION  
 DIVISION OF HIGHWAYS  
 RALEIGH, N.C.

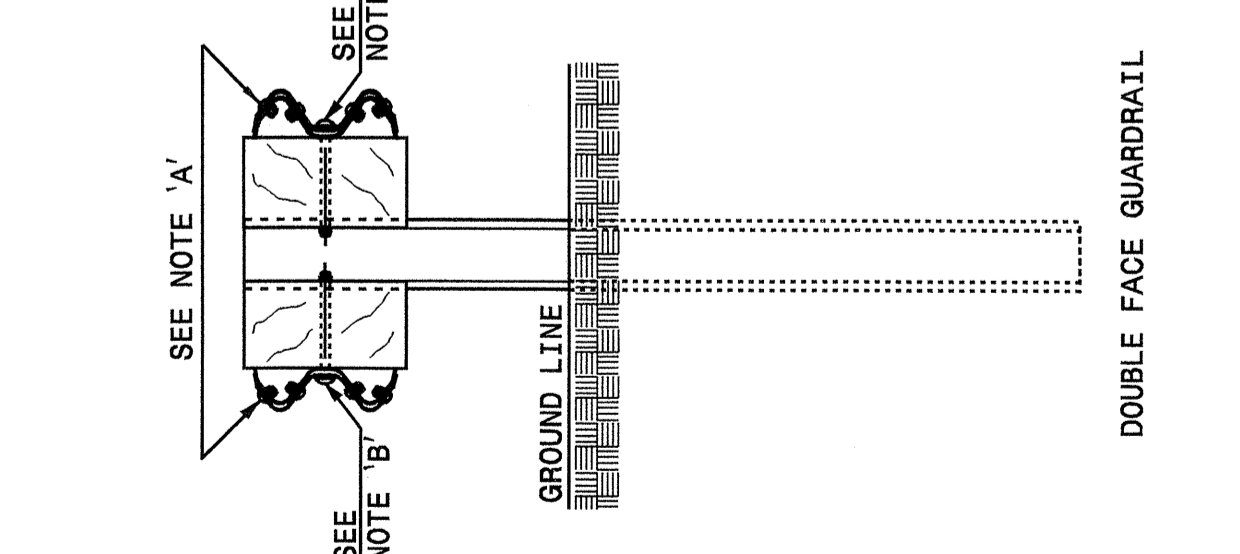
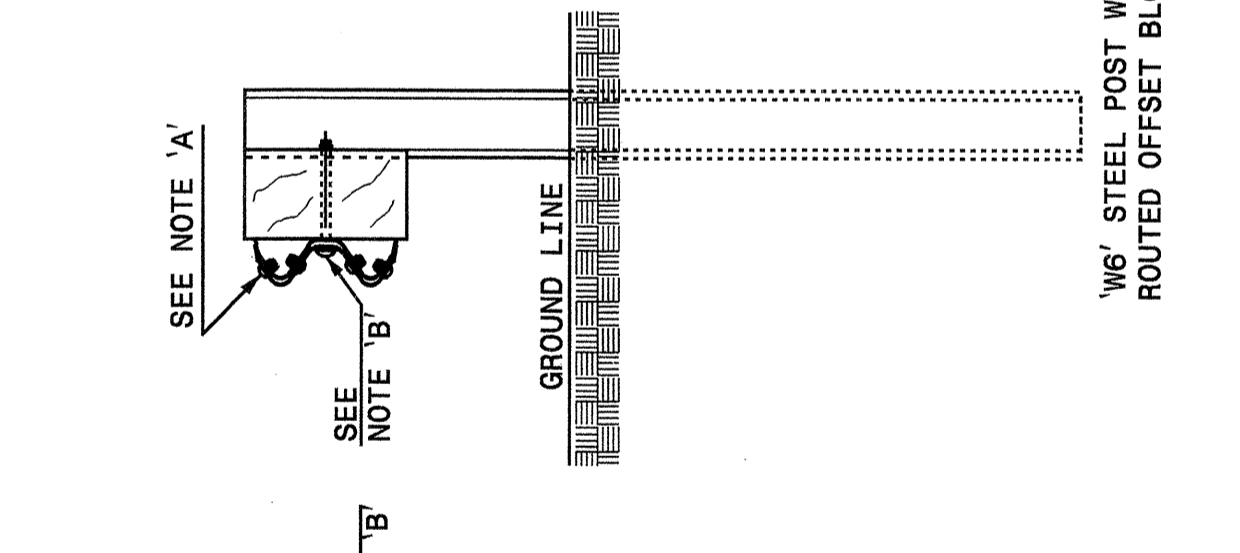
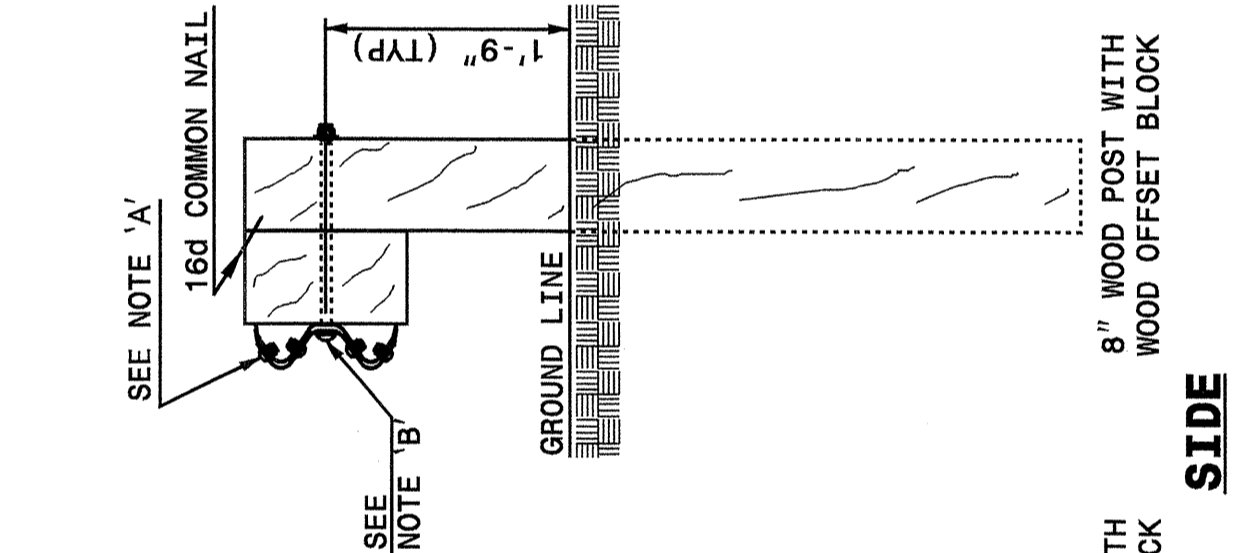
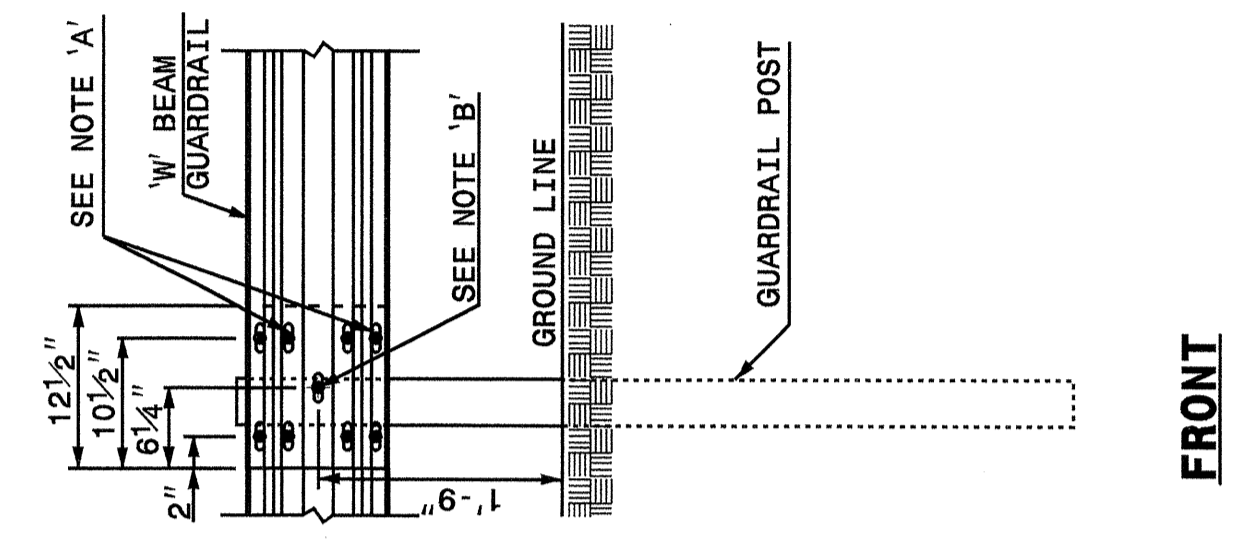
ENGLISH DETAIL DRAWING FOR  
**GUARDRAIL INSTALLATION**

ENGLISH DETAIL DRAWING FOR  
**GUARDRAIL INSTALLATION**



**PLAN**

**ISOMETRIC VIEWS**



**FRONT**

**SIDE**

NOTES:  
 A - 3/8" DIA. BUTTON HEAD SPICE BOLT 1 1/4" LONG WITH STD. WASHER UNDER NUT (8 REQ. PER SPICE JOINT).  
 B - 5/8" DIA. BUTTON HEAD BOLT 7 1/2" / 9" LONG WITH NUT FOR BOLTING 6" / 8" ROUTED OFFSET BLOCK TO STEEL POSTS OR 5/8" DIA. BUTTON HEAD BOLT 18" LONG WITH STD. WASHER UNDER NUT FOR BOLTING TO WOOD POSTS (1 REQ. PER LOCATION)  
 C - FIELD PUNCHING OF HOLES INTO GUARDRAIL SHALL BE AS DIRECTED BY THE ENGINEER.

**TYPICAL GUARDRAIL AND GUARDRAIL POST ALTERNATIVES**

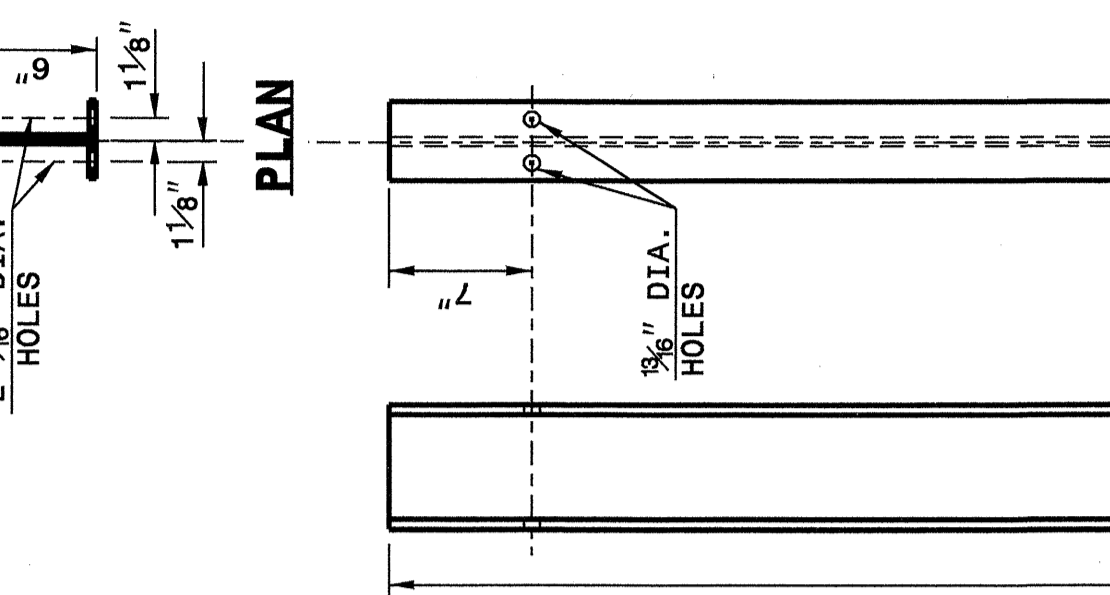
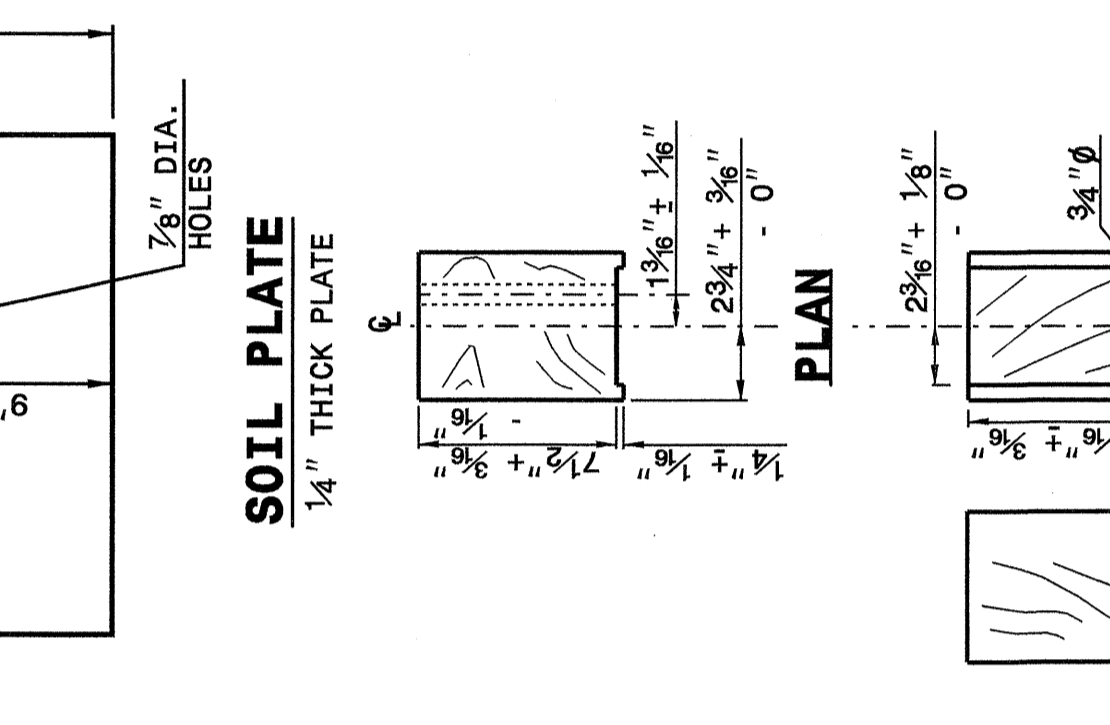
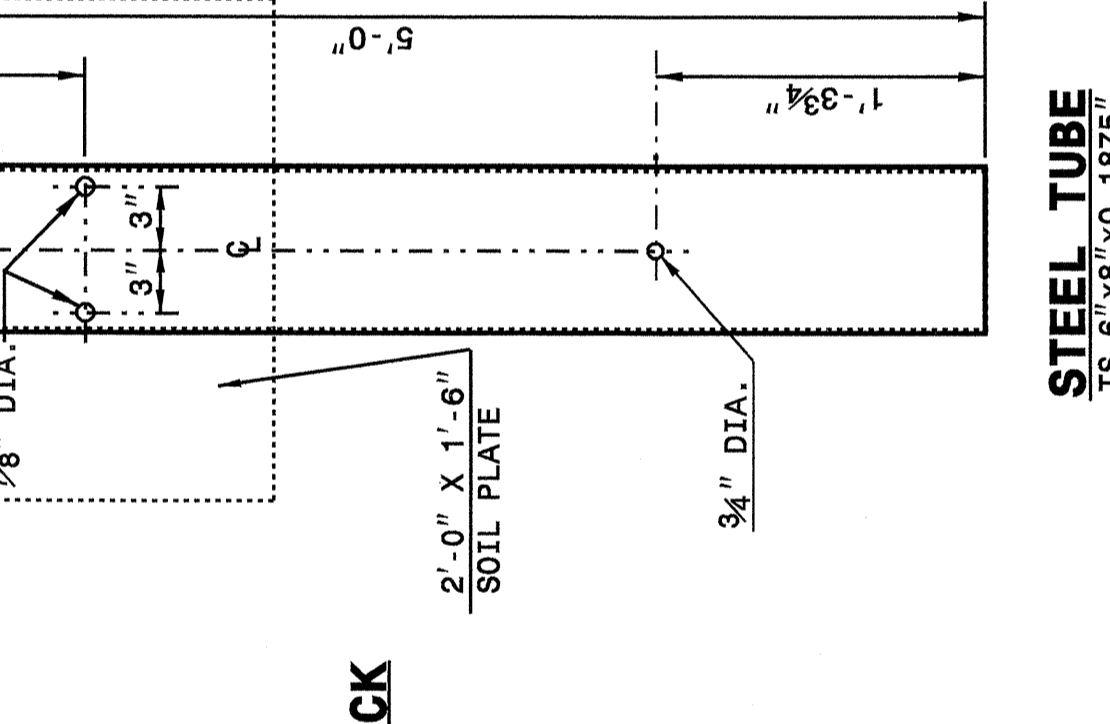
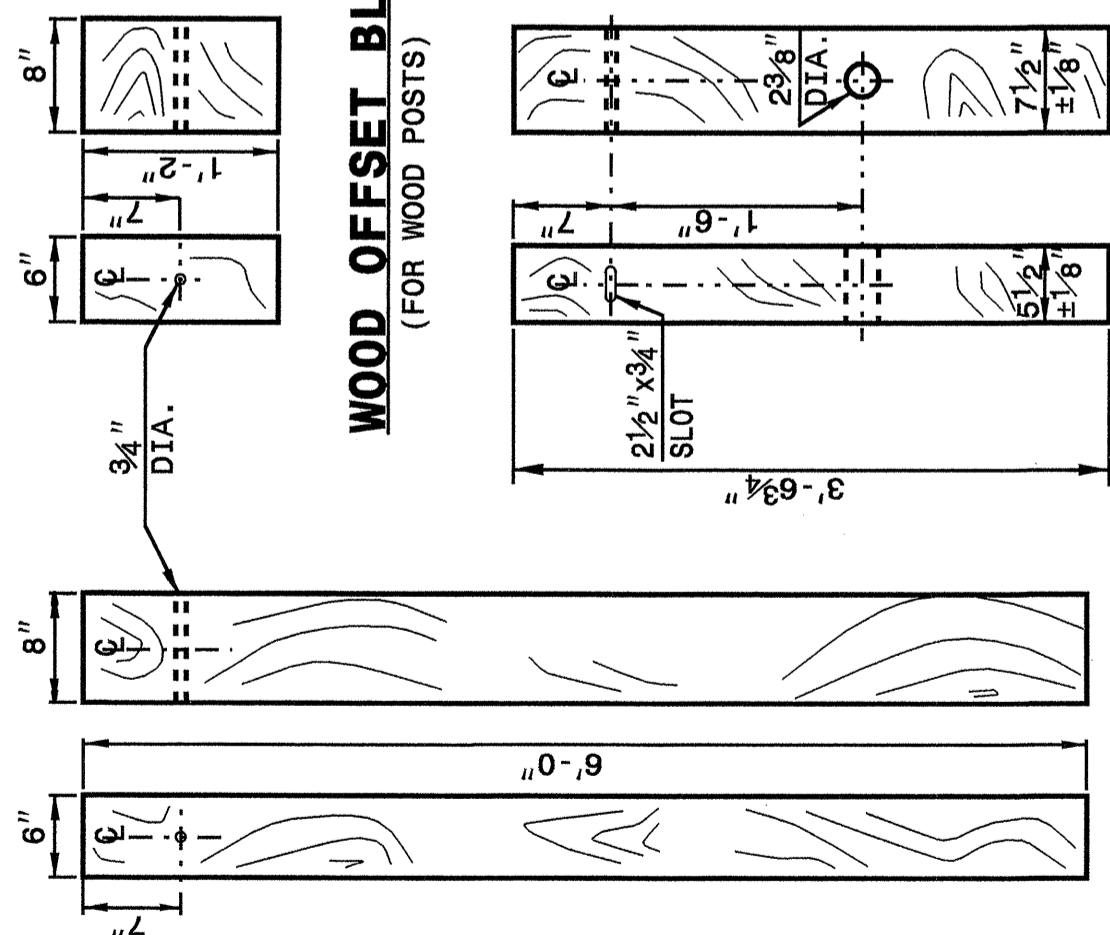
SHEET 3 OF 7  
**862D02**

STATE OF NORTH CAROLINA  
 DEPT. OF TRANSPORTATION  
 DIVISION OF HIGHWAYS  
 RALEIGH, N.C.

STATE OF NORTH CAROLINA  
 DEPT. OF TRANSPORTATION  
 DIVISION OF HIGHWAYS  
 RALEIGH, N.C.

ENGLISH DETAIL DRAWING FOR  
**GUARDRAIL INSTALLATION**

ENGLISH DETAIL DRAWING FOR  
**GUARDRAIL INSTALLATION**



**STANDARD LINE POST**

**SHORT WOOD BREAKAWAY POST**

**BEARING PLATE**  
 5/8" THICK PLATE

**SIDE**  
 ROUTED WOOD OFFSET BLOCK

**FRONT**  
 "W6" STEEL POST

**SYSTEM PARTS**

SHEET 4 OF 7  
**862D02**

SHEET 4 OF 7  
**862D02**

DESIGN SERVICES UNIT  
 STANDARDS AND SPECIAL DESIGN  
 Office 919-250-4128 FAX 919-250-4119

**SEE PLATE FOR TITLE**

ORIGINAL BY: 2002 STD.862.02 DATE:  
 MODIFIED BY: E.E. WARD DATE: 02-09-03  
 CHECKED BY: [Signature] DATE: 3-02  
 FILE SPEC.: /usr/std/02stdet21/eng1sh/86202/862d02.dgn

