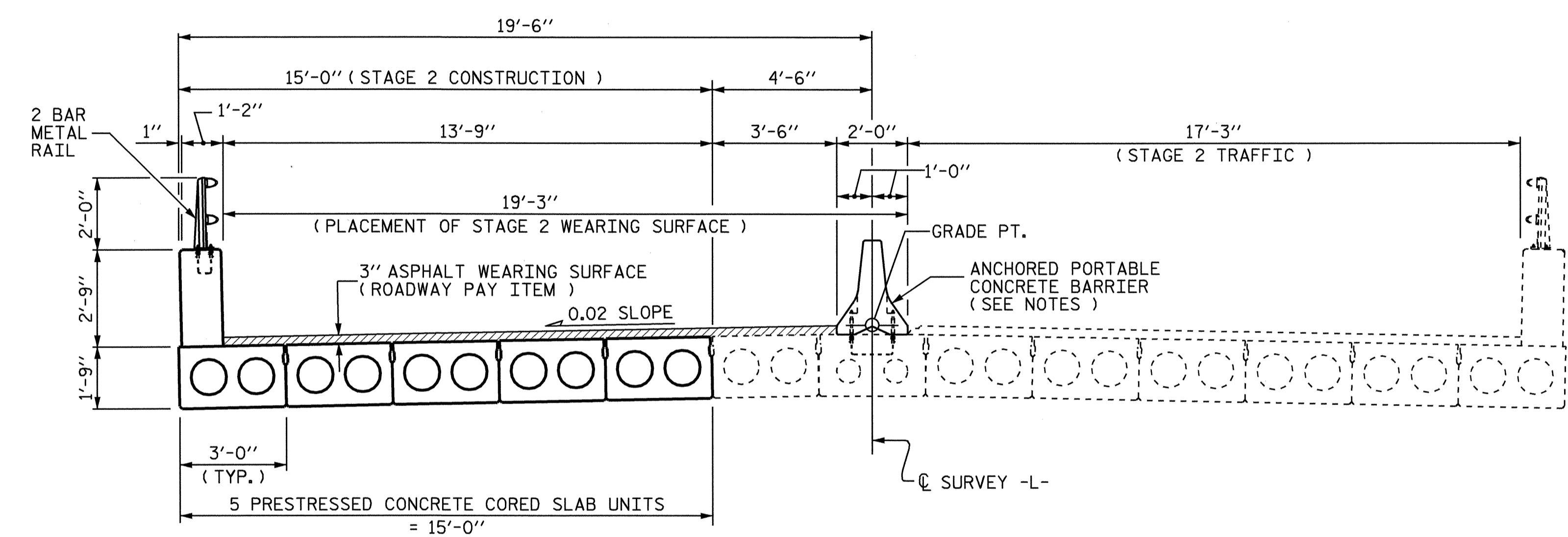
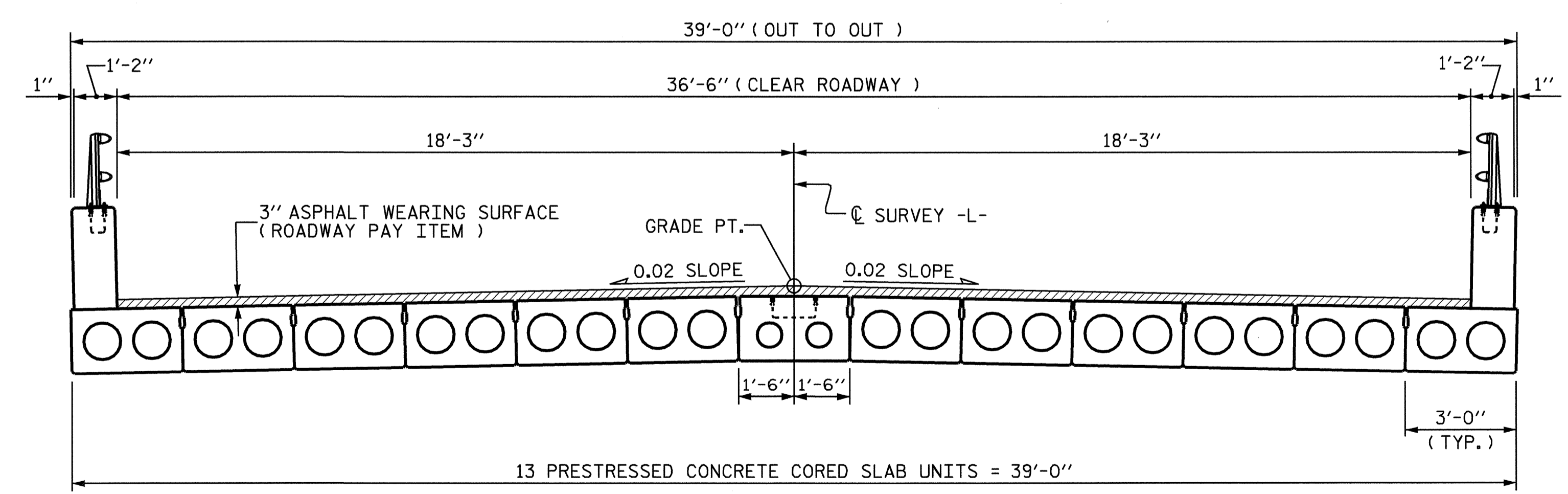


**STAGE 1 CONSTRUCTION**



**STAGE 2 CONSTRUCTION**



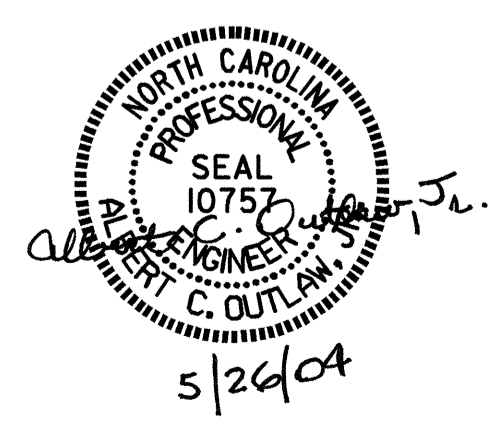
**FINAL STRUCTURE**

**NOTES**

- ▲ THE CUT LINE ON THE EXISTING BRIDGE SUPERSTRUCTURE SHALL BE LOCATED 8"± PAST CL EXISTING BEAM. THE CUT LINE ON THE SUBSTRUCTURE SHALL BE LOCATED 1 FOOT± PAST CL EXISTING PILE OR AS DIRECTED BY THE ENGINEER.
- FOR MAINTENANCE OF TRAFFIC, SEE TRAFFIC CONTROL PLANS.
- SEE TRAFFIC CONTROL PLANS FOR LOCATION AND PAY LIMITS OF THE ANCHORED PORTABLE CONCRETE BARRIER.

PROJECT NO. B-3348  
 HYDE COUNTY  
 STATION: 18+34.00 -L-  
 SHEET 3 OF 4

STATE OF NORTH CAROLINA  
 DEPARTMENT OF TRANSPORTATION  
 RALEIGH  
**GENERAL DRAWING**  
 FOR BRIDGE ON US 264  
 OVER WALLACE CANAL  
 BETWEEN SR 1315 AND SR 1355



DRAWN BY: MIKE BRITT DATE: 9-4-03  
 CHECKED BY: S. B. WILLIAMS DATE: 9-9-03

26-MAY-2004 07:00  
 W:\sq\cdv\B3348\str1\sbwilliams\Microstation\B3348.ed.GD.01.dgn  
 pbrewer

REVISIONS					SHEET NO.
NO.	BY:	DATE:	NO.	DATE:	S-3
1			3		TOTAL SHEETS
2			4		76