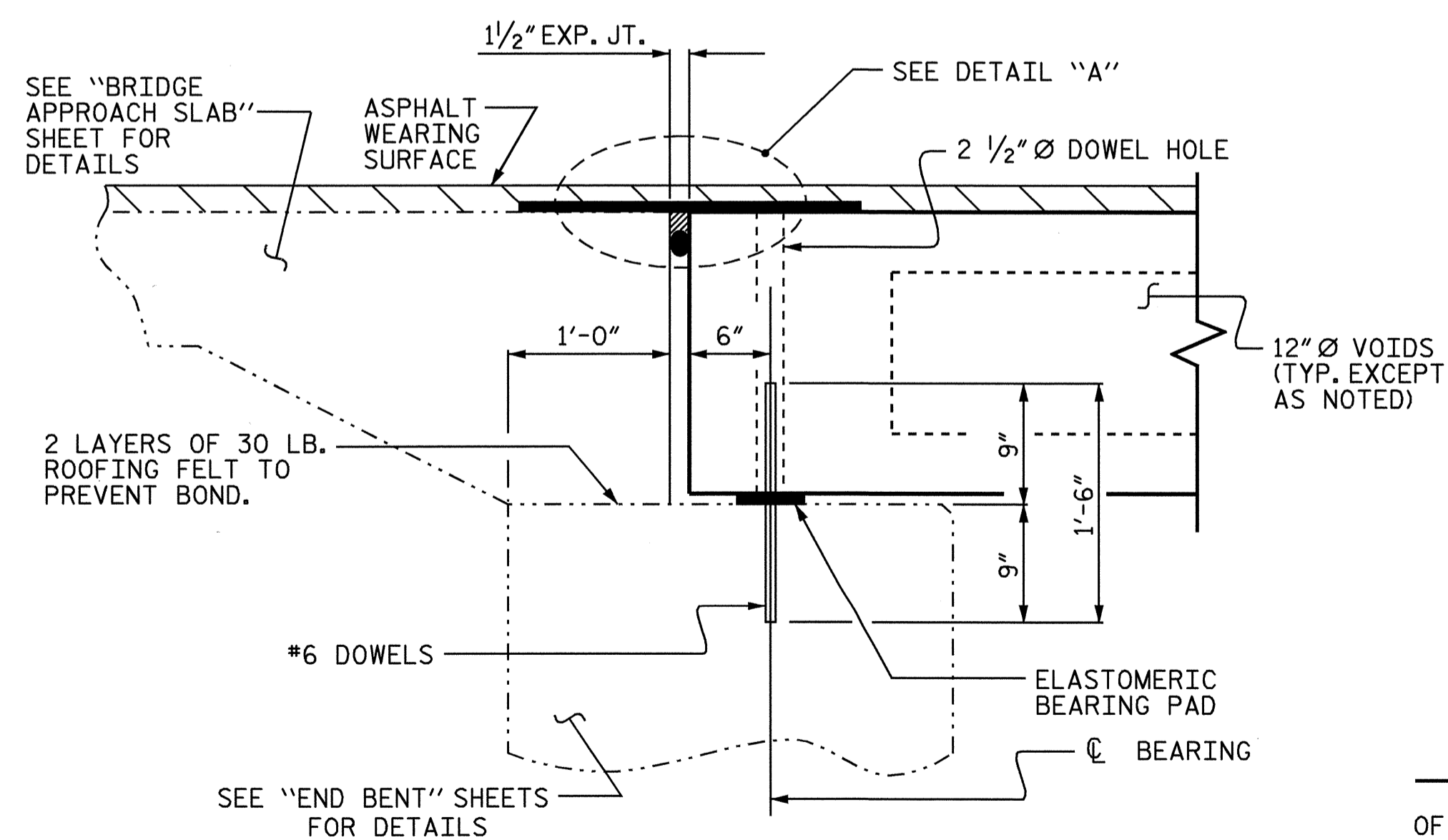


HALF SECTION AT INTERMEDIATE DIAPHRAGM

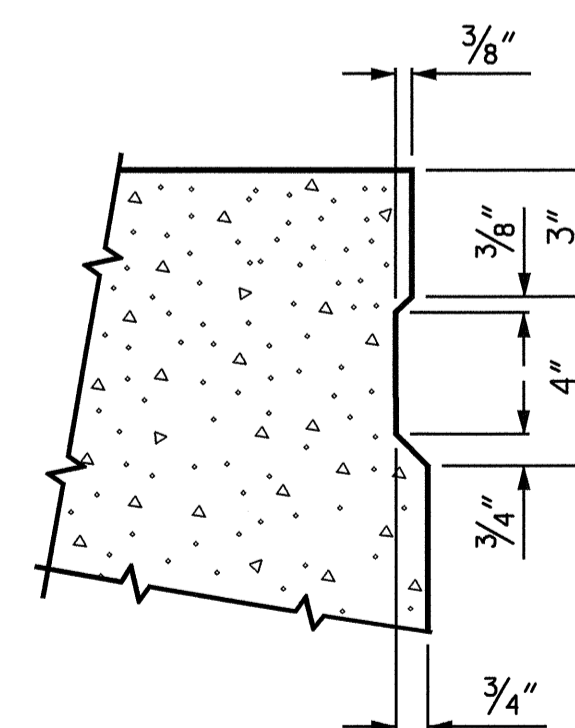
HALF SECTION AT VOIDS

TYPICAL SECTION

FINAL BRIDGE (STAGE 1 AND 2 COMPLETE)
(FOR VIEWS A-A, B-B, & C-C, SEE SHEET 2 OF 2)

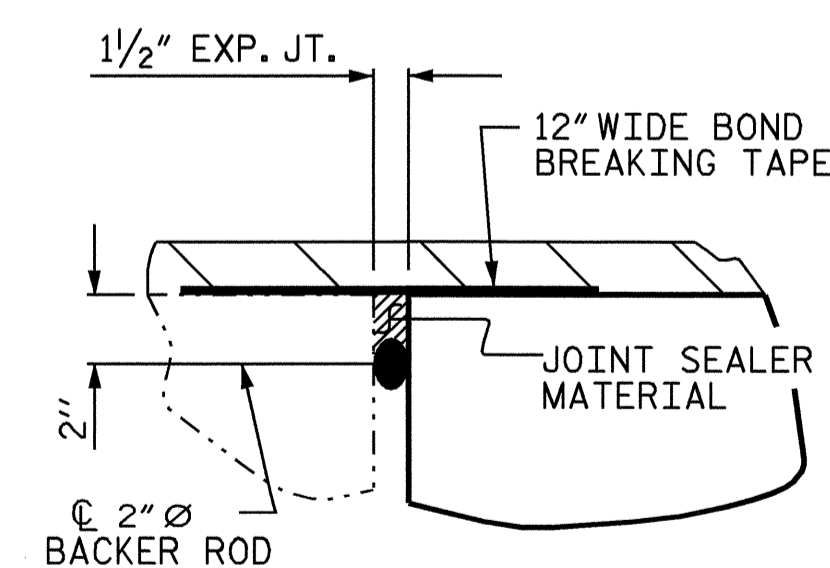


SECTION AT END BENT



SHEAR KEY DETAIL

NOTE: OMIT SHEAR KEY ON OUTSIDE FACE OF EXTERIOR (TYPE I AND TYPE VI) CORED SLABS.



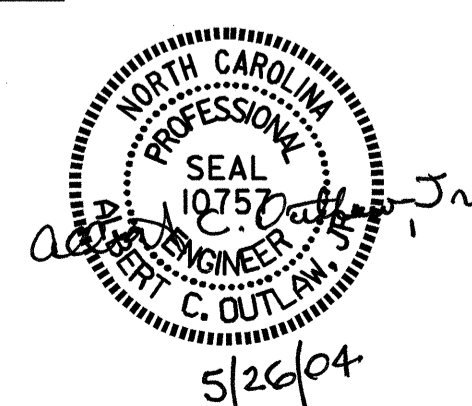
DETAIL "A"

PROJECT NO. B-3348
HYDE COUNTY
STATION: 18+34.00 -L-

SHEET 1 OF 2

STATE OF NORTH CAROLINA
DEPARTMENT OF TRANSPORTATION
RALEIGH

SUPERSTRUCTURE
TYPICAL SECTION



DRAWN BY: P.C. BREWER DATE: 1/14/04
CHECKED BY: A.C. OUTLAW DATE: 1/20/04

26-MAY-2004 07:04
W:\squad\3348\str1\pbrewer\Microstation\B3348.sd.cs.01.dgn
pbrewer

REVISIONS						SHEET NO.	
NO.	BY:	DATE:	NO.	BY:	DATE:	S-5	
1			3			TOTAL SHEETS	76
2			4				

STR. #1