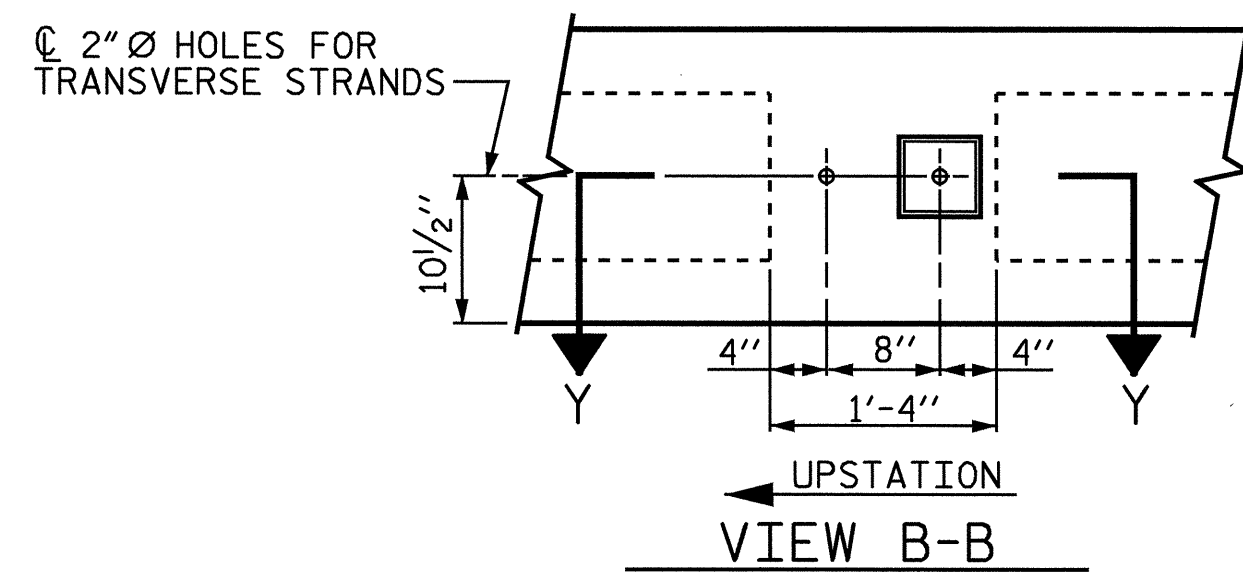
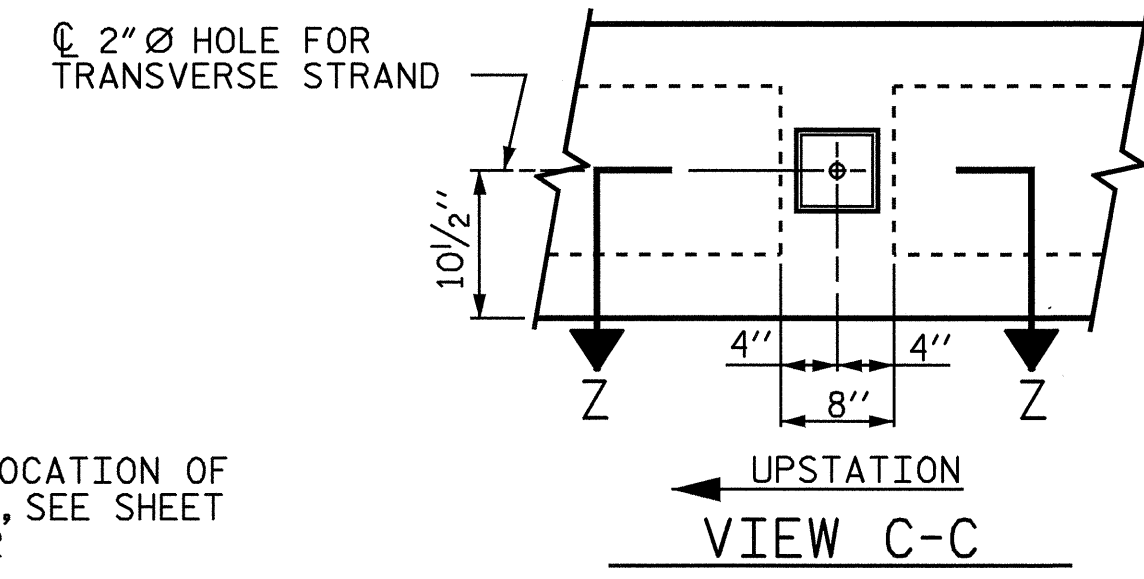


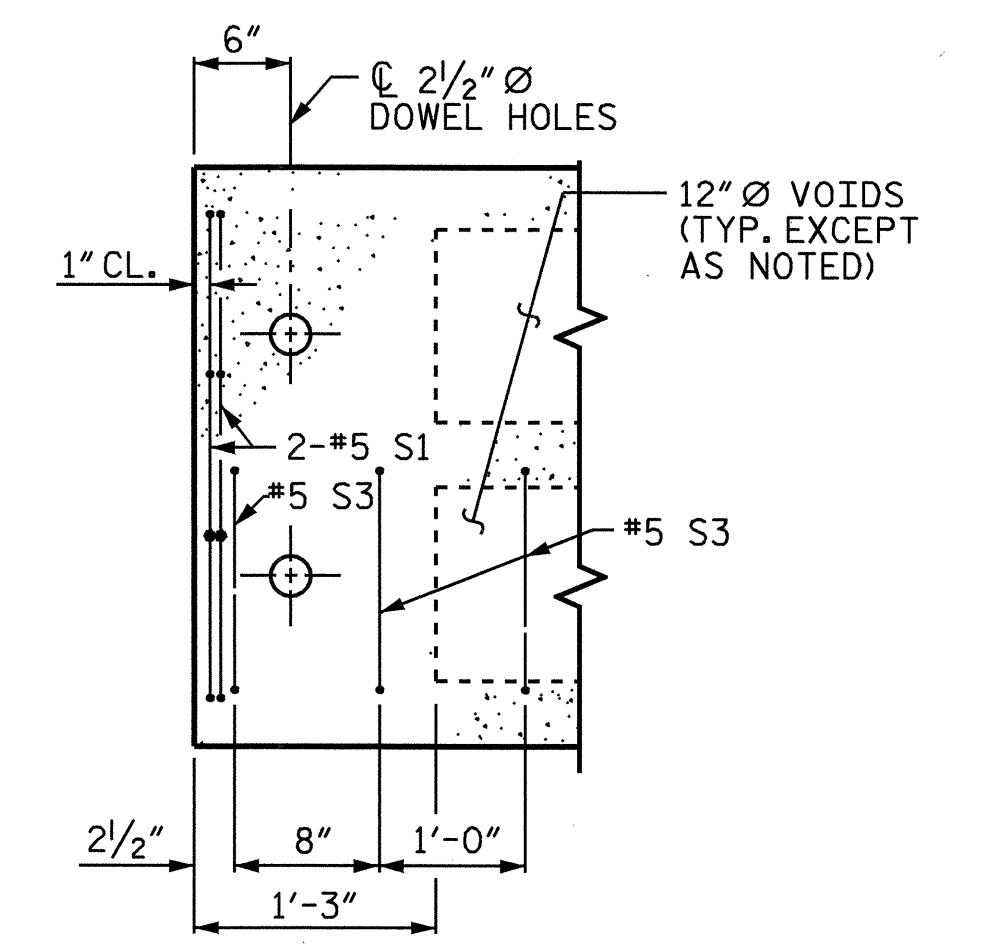
● $\text{C } 1/2\text{'' } \varnothing$ H.S. TRANSVERSE POST-TENSIONING STRAND SHEATHED WITH A NON-CORROSIVE PIPE (TO BE TENSIONED DURING STAGE 1 CONST.)



▲ $\text{C } 1/2\text{'' } \varnothing$ H.S. TRANSVERSE POST-TENSIONING STRAND SHEATHED WITH A NON-CORROSIVE PIPE (TO BE TENSIONED DURING STAGE 2 CONST.)

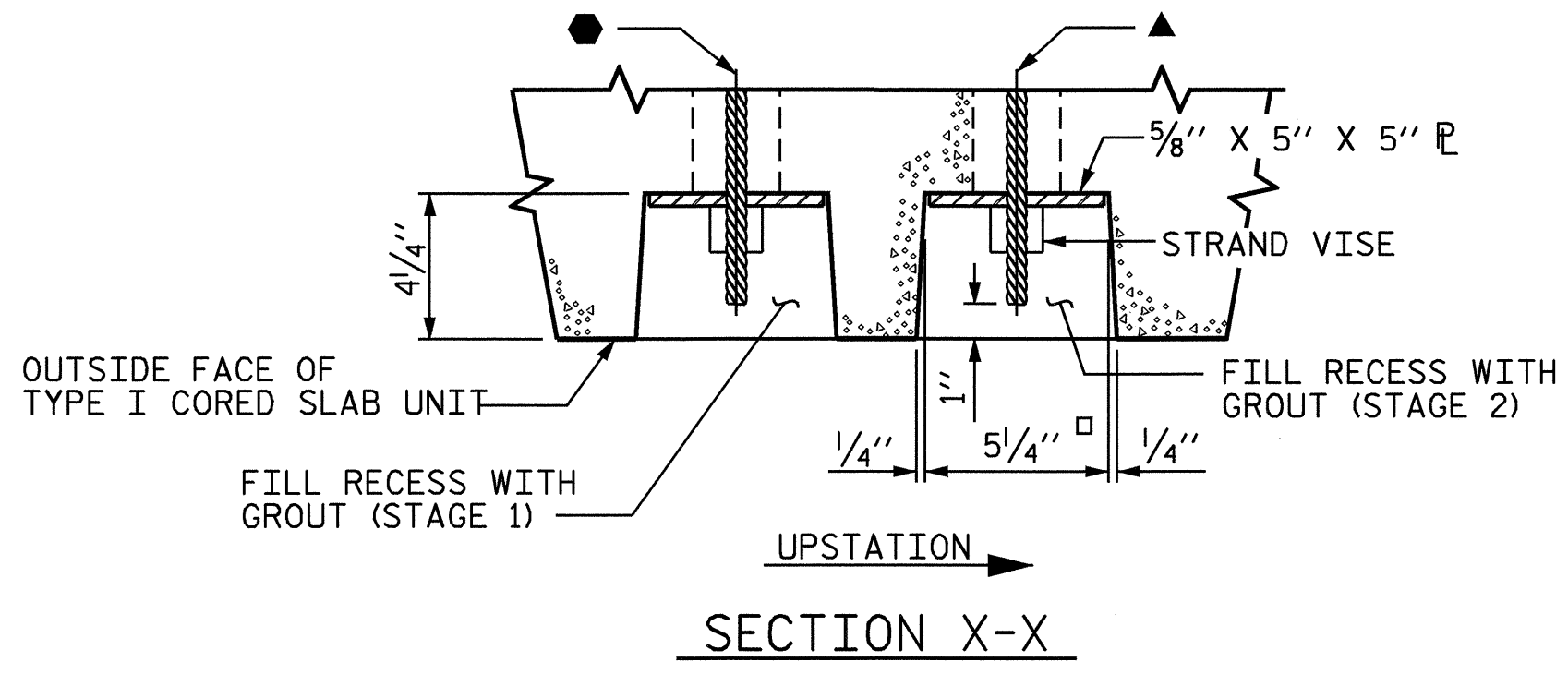


NOTE: FOR LOCATION OF VIEWS, SEE SHEET 1 OF 2

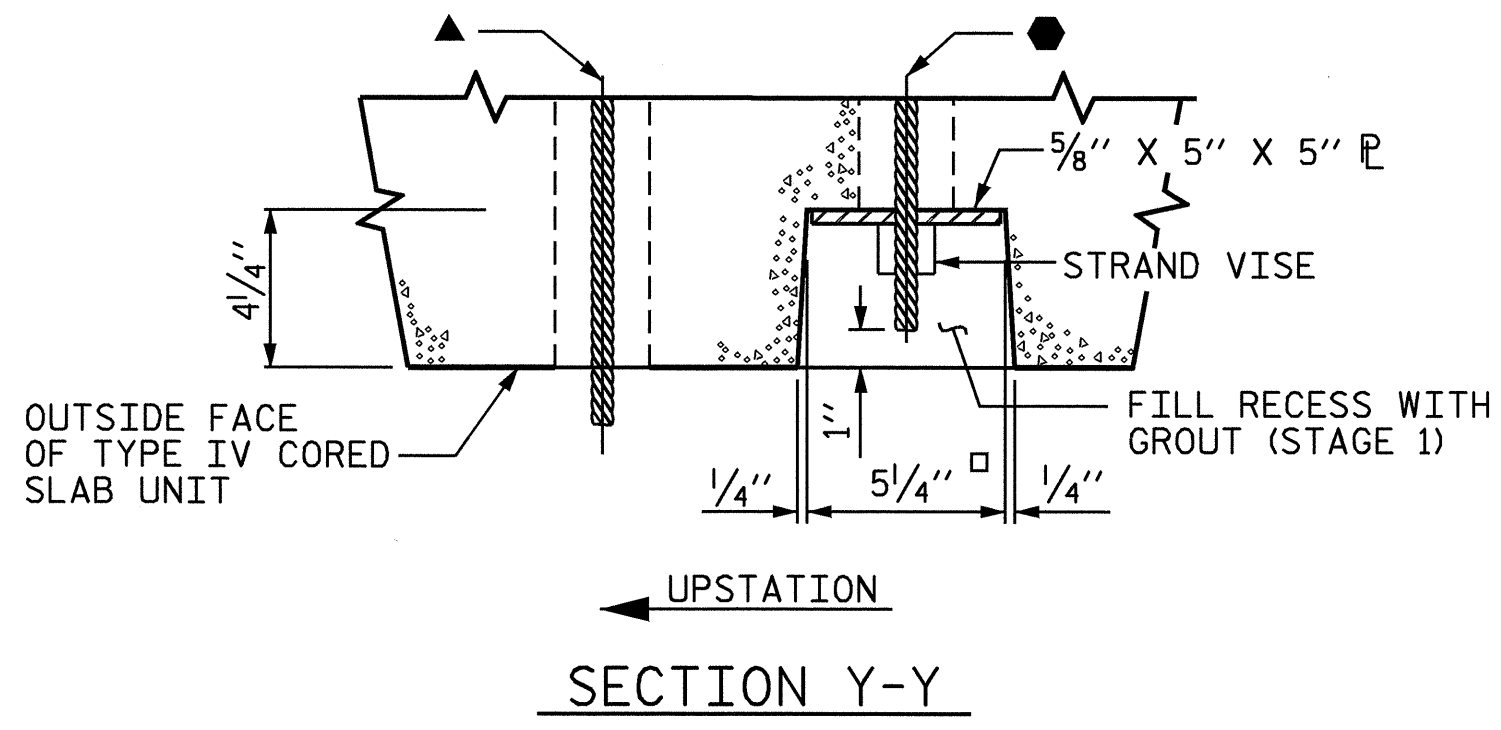


PART PLAN-EXTERIOR SECTION

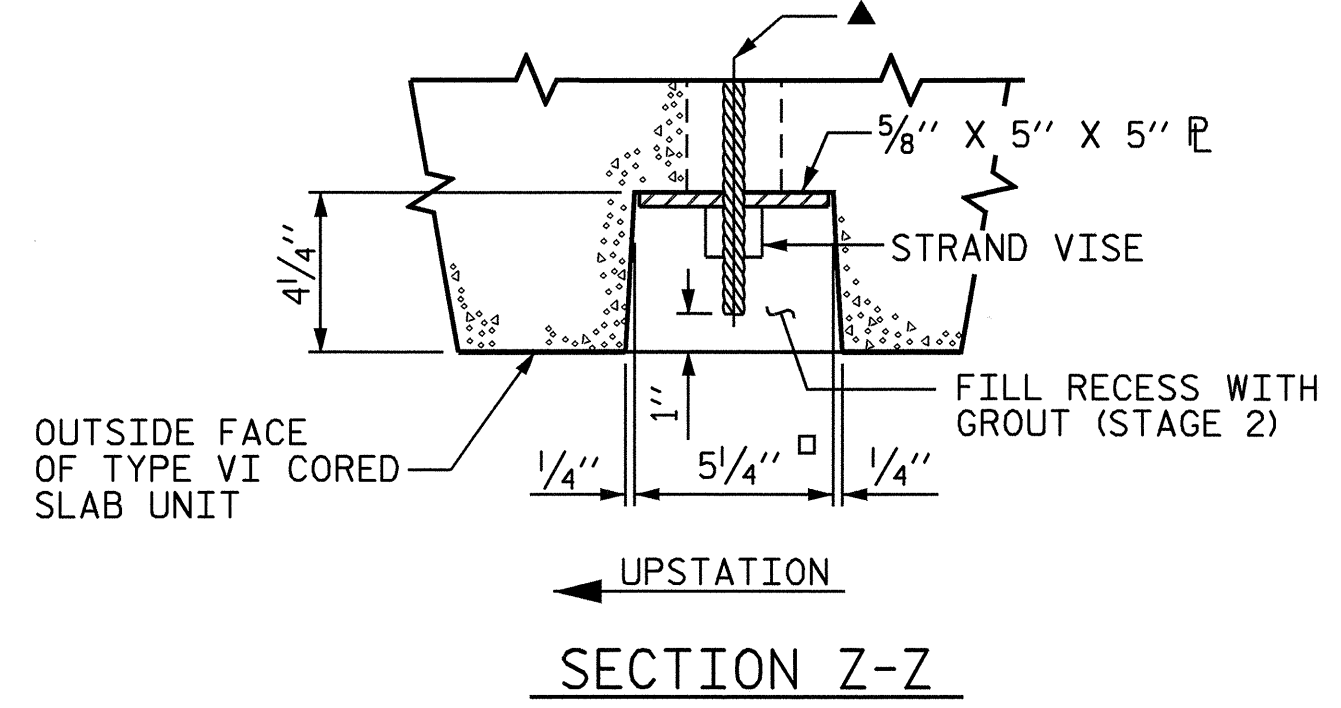
NOTE: EXTERIOR SECTION SHOWN-INTERIOR SECTION SIMILAR EXCEPT OMIT S3 BARS.



SECTION X-X

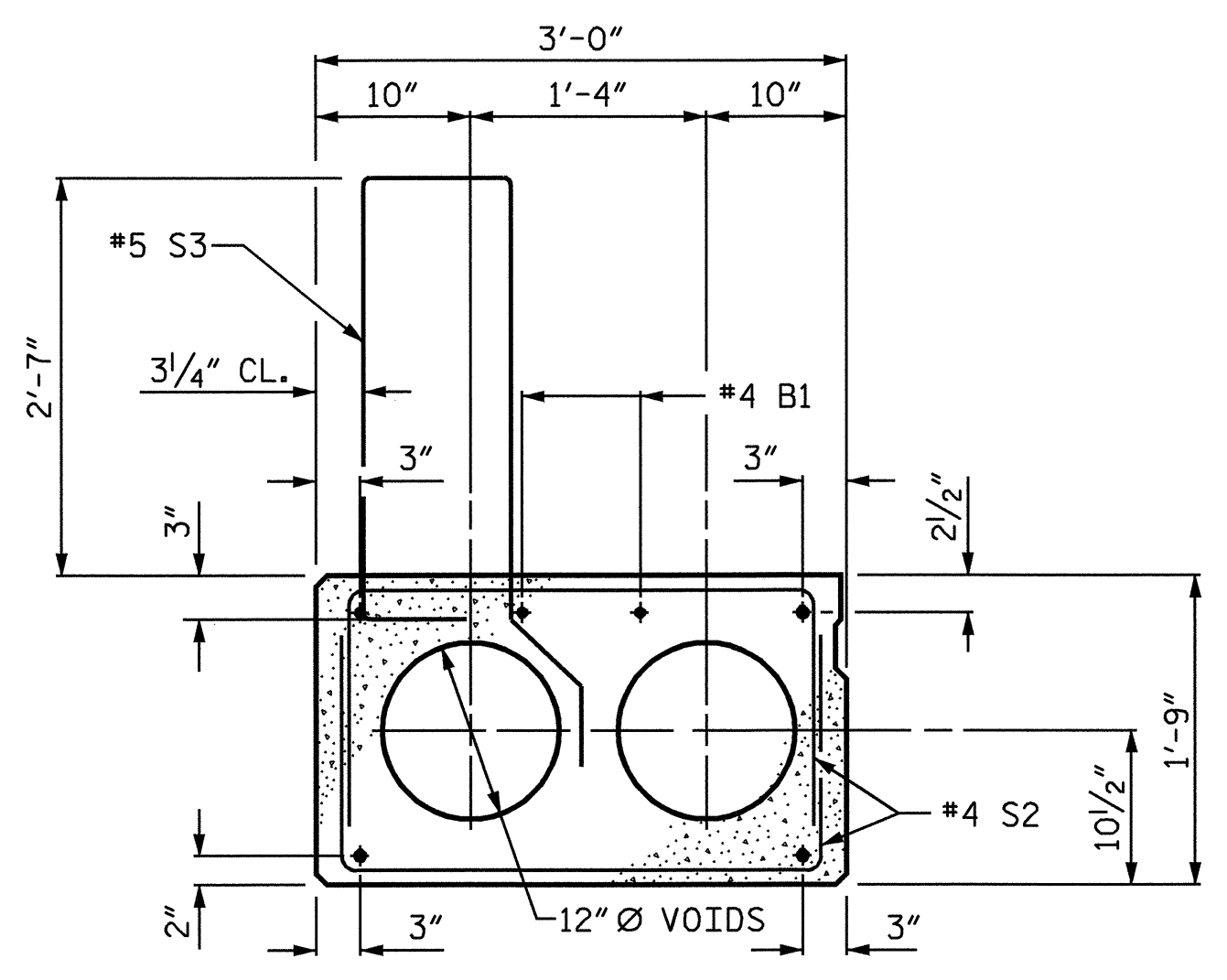


SECTION Y-Y



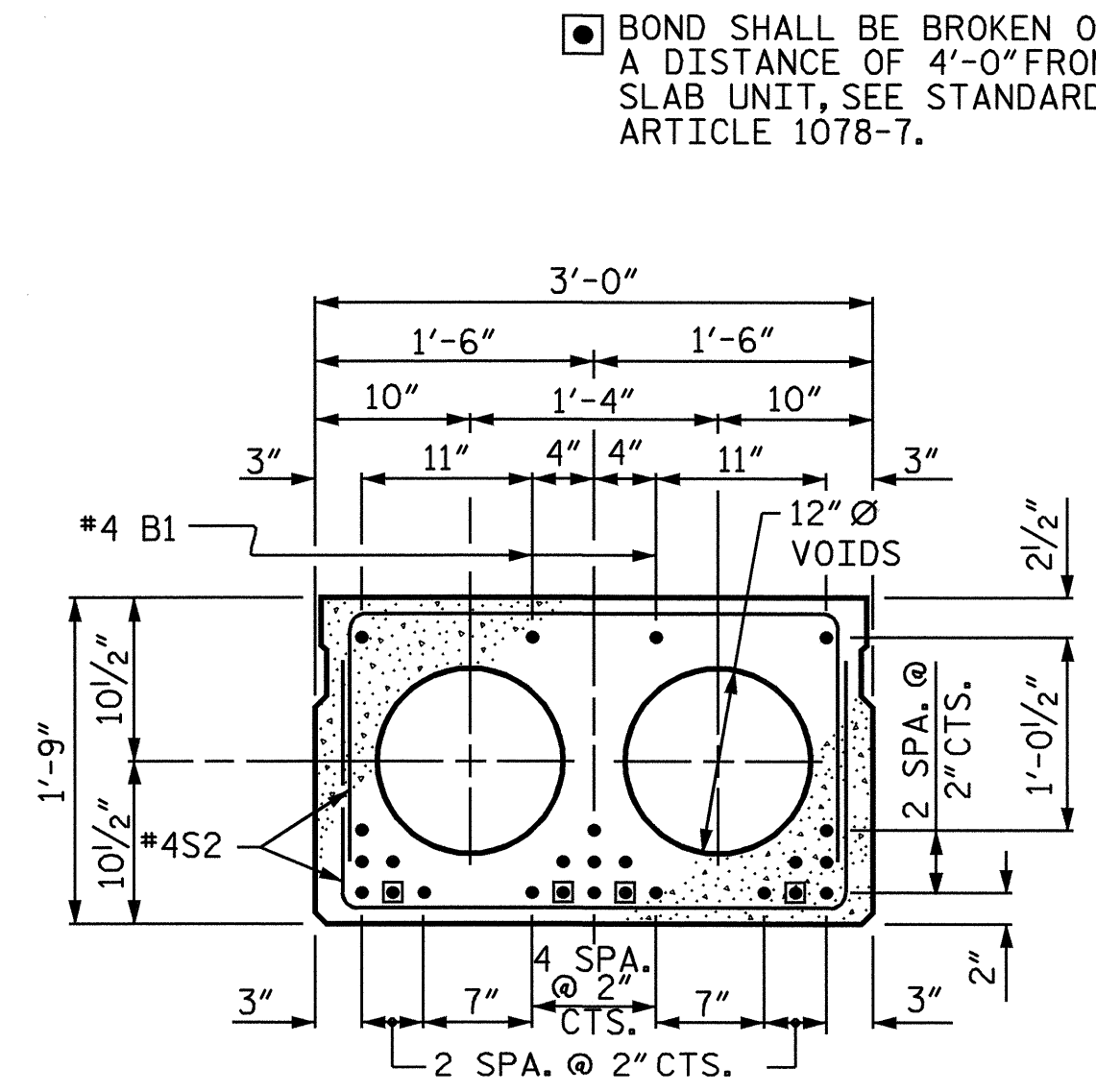
SECTION Z-Z

GRouted RECESS AT END OF POST-TENSIONED STRAND FOR CORED SLABS



EXTERIOR SLAB SECTION

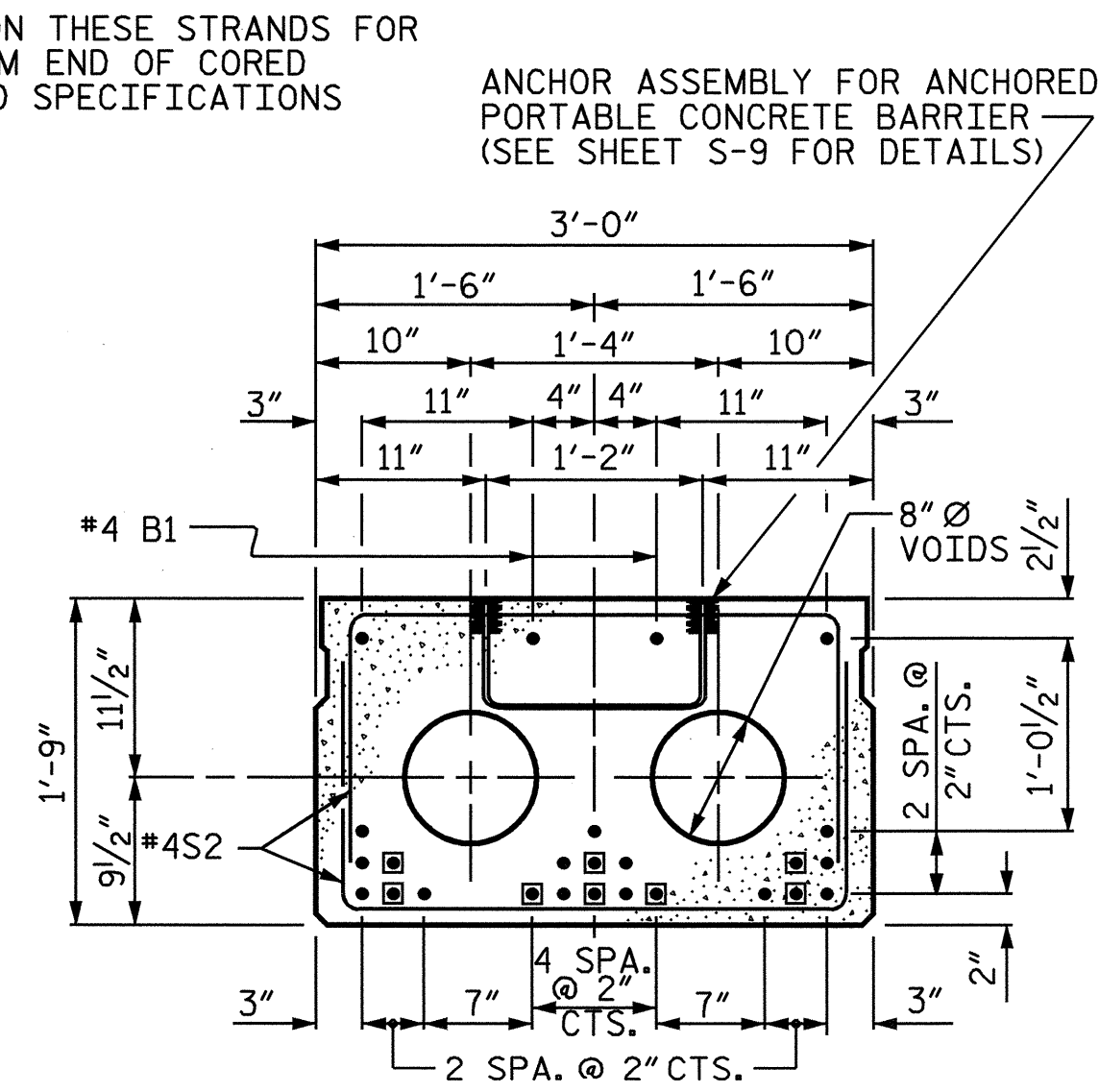
(FOR PRESTRESSED STRAND LAYOUT, SEE INTERIOR SLAB SECTION.)



INTERIOR SLAB SECTION

1/2" Ø LOW RELAXATION STRAND LAYOUT

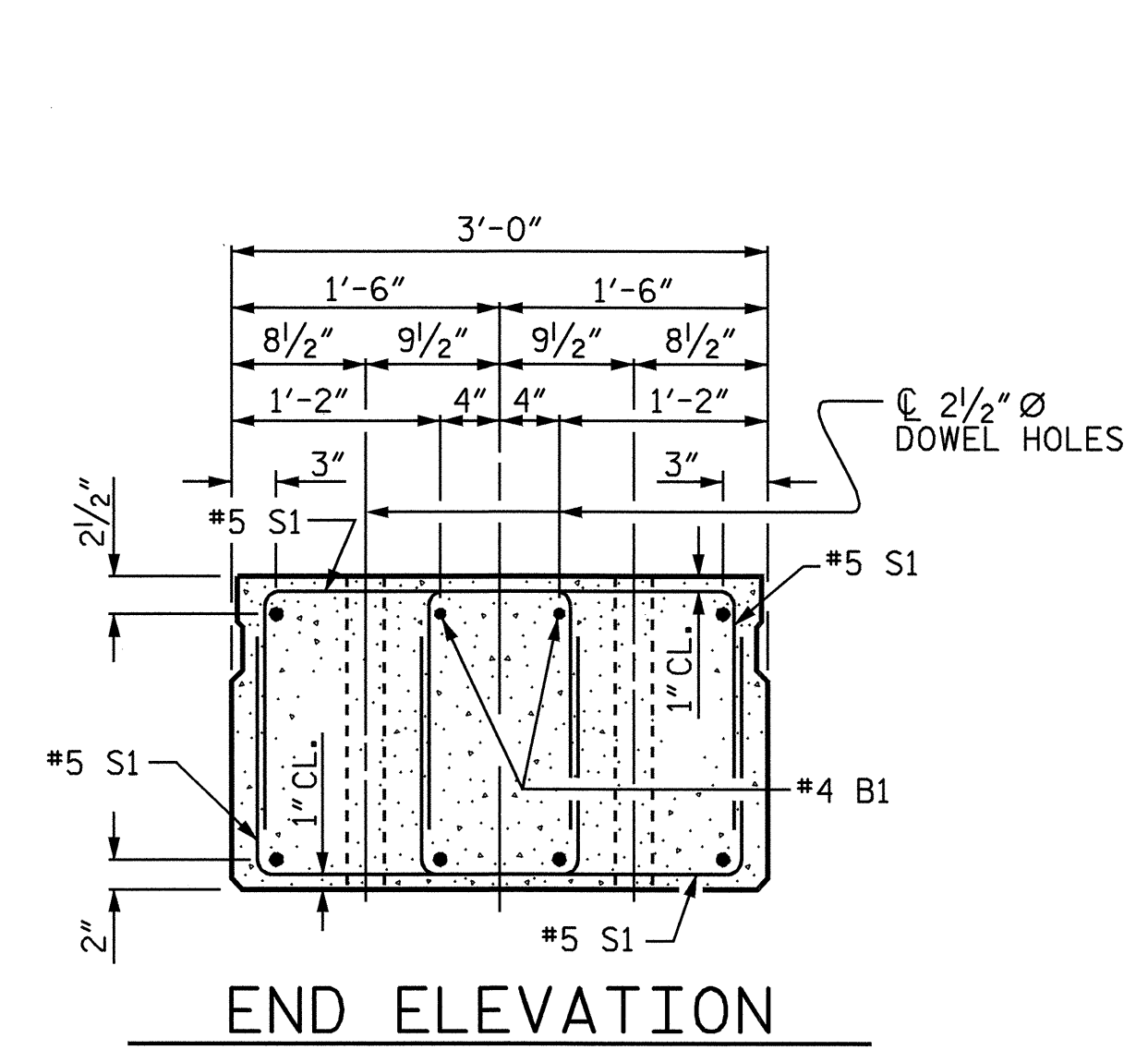
(TYP. EA. CORED SLAB UNIT EXCEPT TYPE III) (23 STRANDS)



INTERIOR SLAB SECTION

1/2" Ø LOW RELAXATION STRAND LAYOUT

(FOR TYPE III CORED SLAB UNIT ONLY) (23 STRANDS)



END ELEVATION

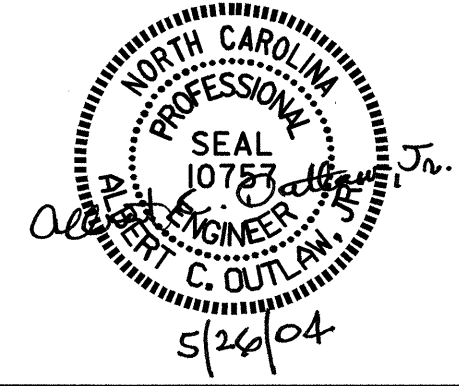
(TYP. EA. CORED SLAB UNIT) SHOWING PLACEMENT OF DOUBLE STIRRUPS AND LOCATION OF DOWEL HOLES. (STRAND LAYOUT NOT SHOWN.) INTERIOR SLAB SECTION SHOWN-EXTERIOR SLAB SECTION SIMILAR EXCEPT SHEAR KEY LOCATION.

■ BOND SHALL BE BROKEN ON THESE STRANDS FOR A DISTANCE OF 4'-0" FROM END OF CORED SLAB UNIT, SEE STANDARD SPECIFICATIONS ARTICLE 1078-7.

ANCHOR ASSEMBLY FOR ANCHORED PORTABLE CONCRETE BARRIER (SEE SHEET S-9 FOR DETAILS)

DRAWN BY: P.C. BREWER DATE: 1/14/04
CHECKED BY: A.C. OUTLAW DATE: 1/20/04

26-MAY-2004 07:01
N:\squadv\b3348\str1\pbrewer\microstation\b3348.sd.cs.01.dgn
pbrewer



PROJECT NO. B-3348
HYDE COUNTY
STATION: 18+34.00 -L-

SHEET 2 OF 2

STATE OF NORTH CAROLINA
DEPARTMENT OF TRANSPORTATION
RALEIGH

SUPERSTRUCTURE
TYPICAL SECTION

REVISIONS						SHEET NO.
NO.	BY:	DATE:	NO.	BY:	DATE:	S-6
1			3			TOTAL SHEETS
2			4			76