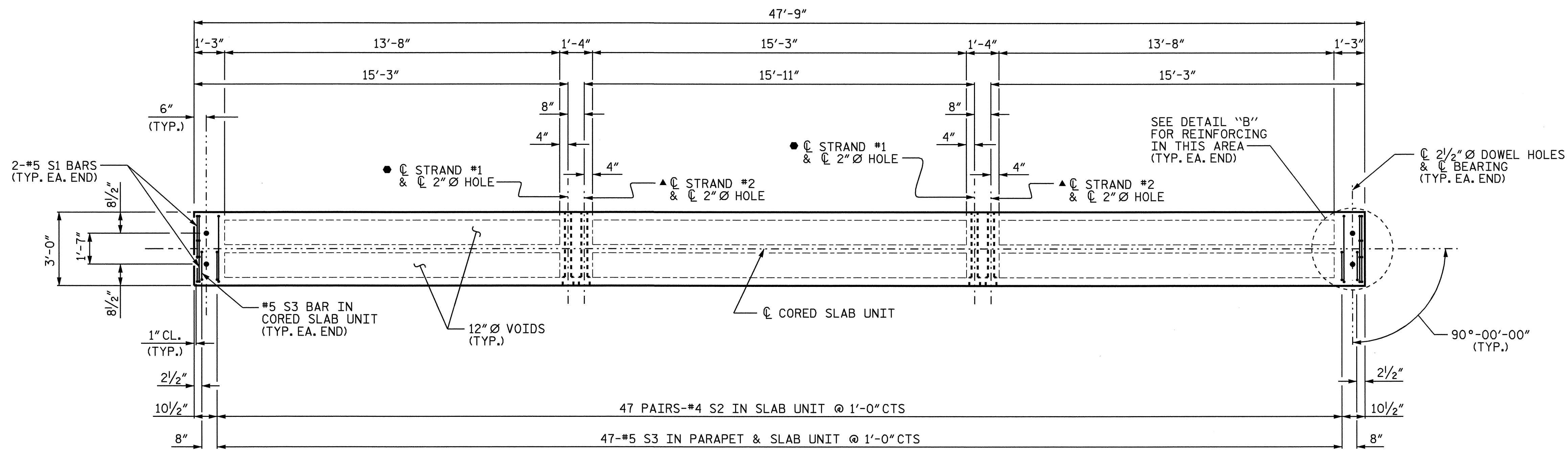


NOTES:

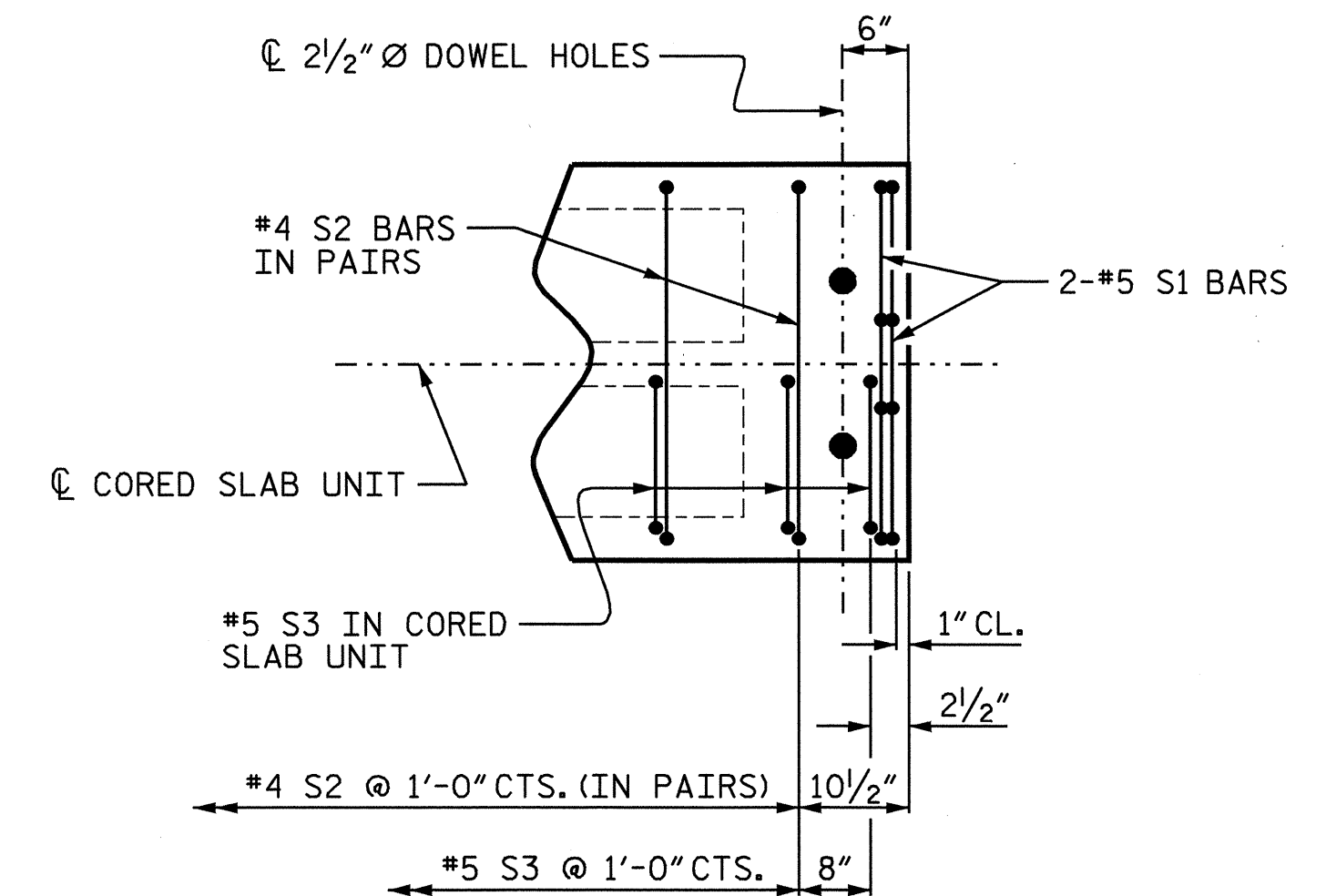
FOR GROUDED RECESS SEE "SUPERSTRUCTURE TYPICAL SECTION" SHEET 2 OF 2.

- STRAND #1 GOES THRU 8 CORED SLAB UNITS (TO BE TENSIONED DURING STAGE 1 CONSTRUCTION)
- ▲ STRAND #2 GOES THRU ALL 13 CORED SLAB UNITS (TO BE TENSIONED DURING STAGE 2 CONSTRUCTION)
- ▲ STRAND #1 AND STRAND #2 ARE 1/2" Ø H.S. TRANSVERSE POST-TENSIONING STRANDS.

THE #4 S2 AND #5 S3 BARS MAY BE SHIFTED SLIGHTLY IN ORDER TO MAINTAIN A 2" MIN. CLEARANCE TO THE 2" Ø HOLES.

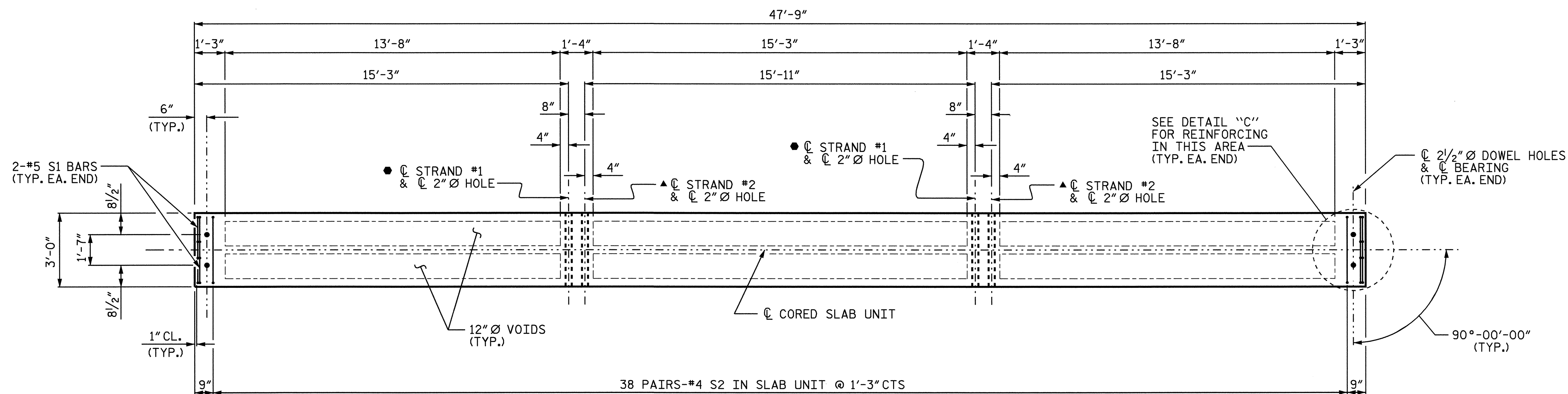


PLAN OF TYPE I CORED SLAB UNIT (STAGE 1)

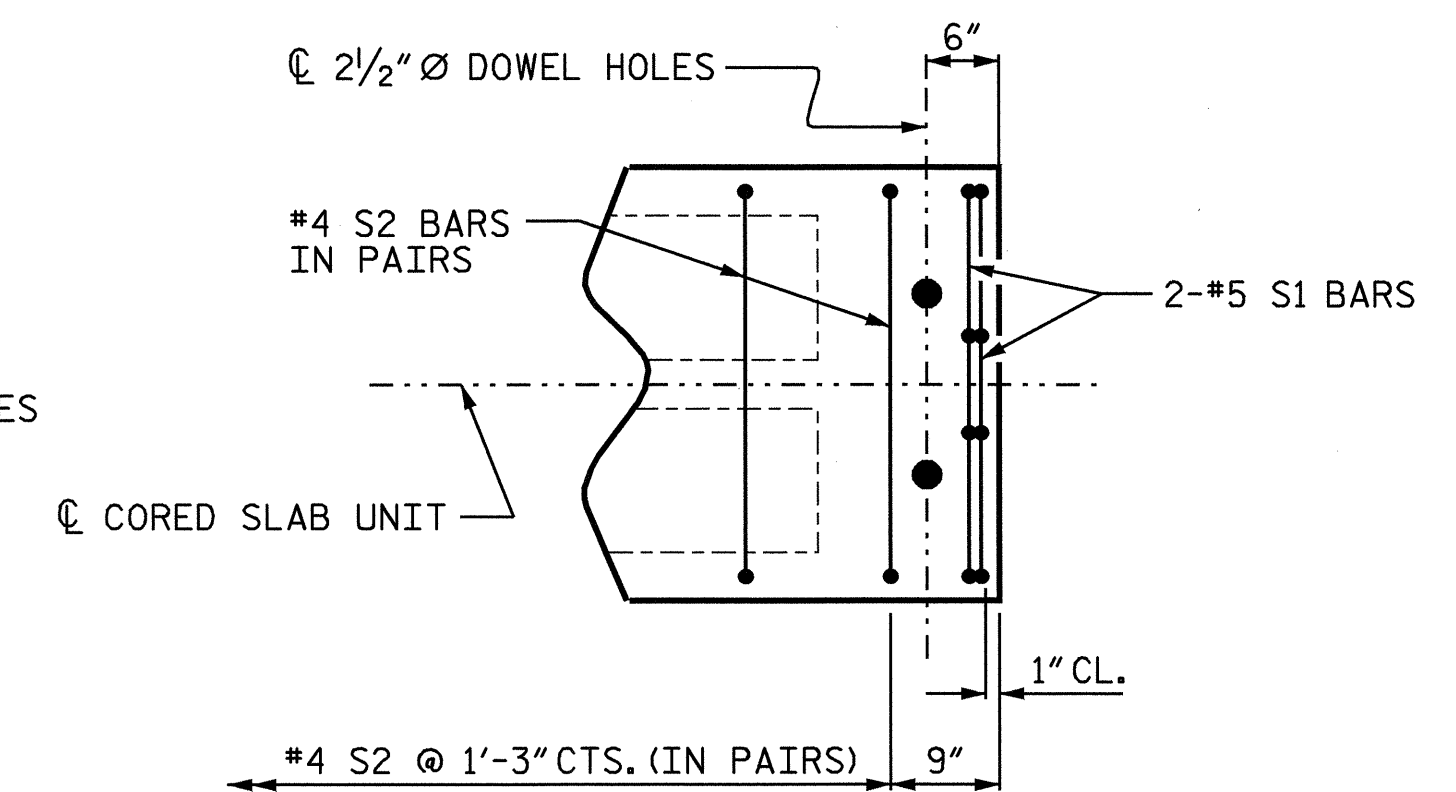


DETAIL "B"

(EACH END SIMILAR)



PLAN OF TYPE II CORED SLAB UNIT (STAGE 1)



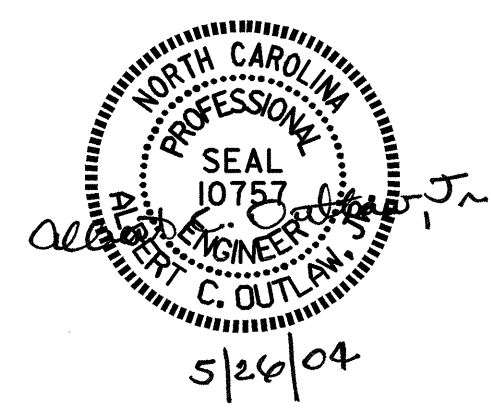
DETAIL "C"

(EACH END SIMILAR)

PROJECT NO. B-3348
HYDE COUNTY
 STATION: 18+34.00 -L-

SHEET 1 OF 3

STATE OF NORTH CAROLINA
 DEPARTMENT OF TRANSPORTATION
 RALEIGH
 3'-0" X 1'-9"
 PRESTRESSED CONCRETE
 CORED SLAB UNIT
 DETAILS



DRAWN BY: P.C. BREWER DATE: 1/14/04
 CHECKED BY: A.C. OUTLAW DATE: 1/26/04

26-MAY-2004 07:01
 W:\squad\b3348\str1\p Brewer\Microstation\B3348.sd_CS-01.dgn
 pbrewer

REVISIONS						SHEET NO.	
NO.	BY:	DATE:	NO.	BY:	DATE:	S-8	
1			3			TOTAL SHEETS	
2			4			76	

STR. #1