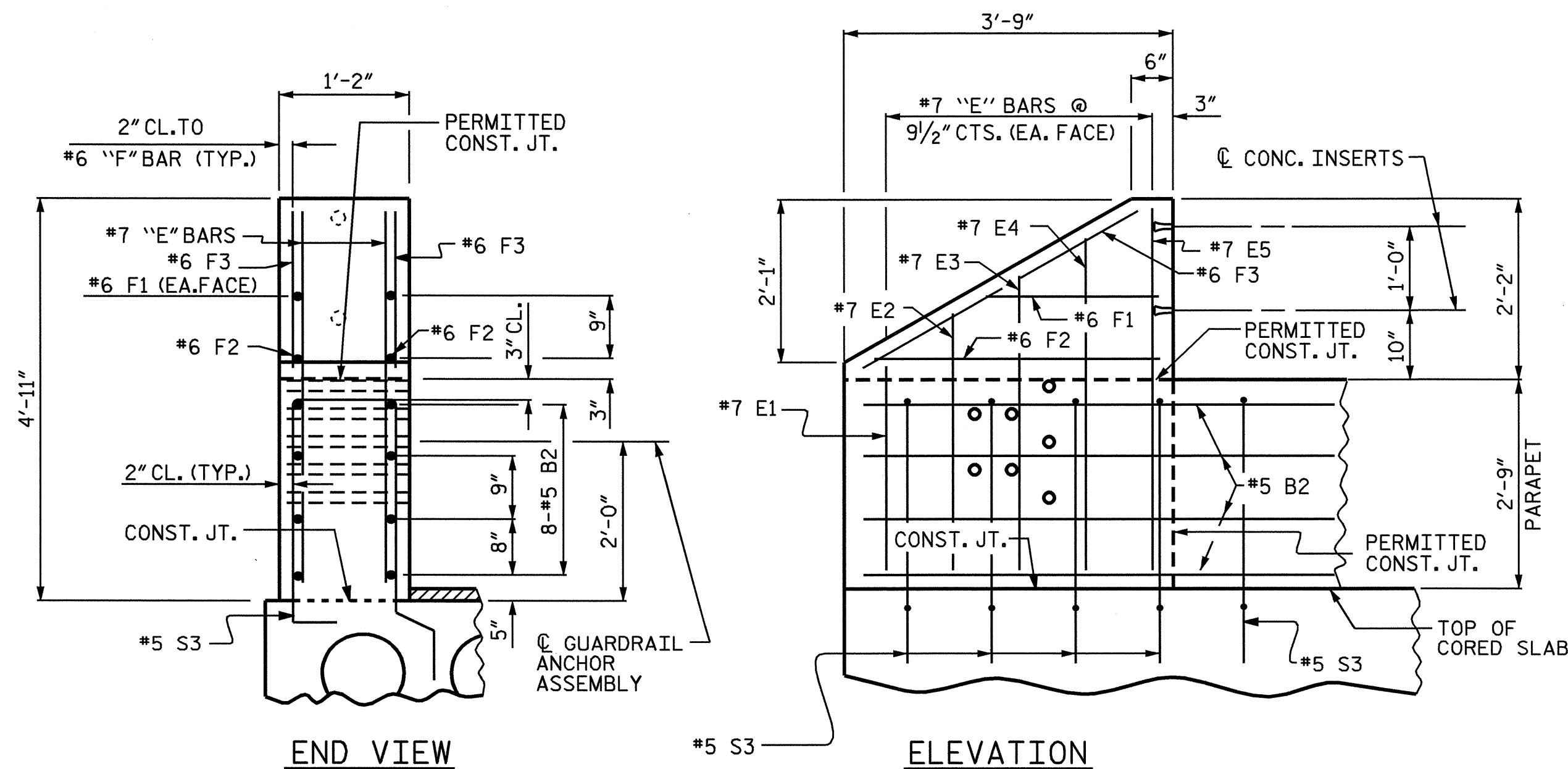
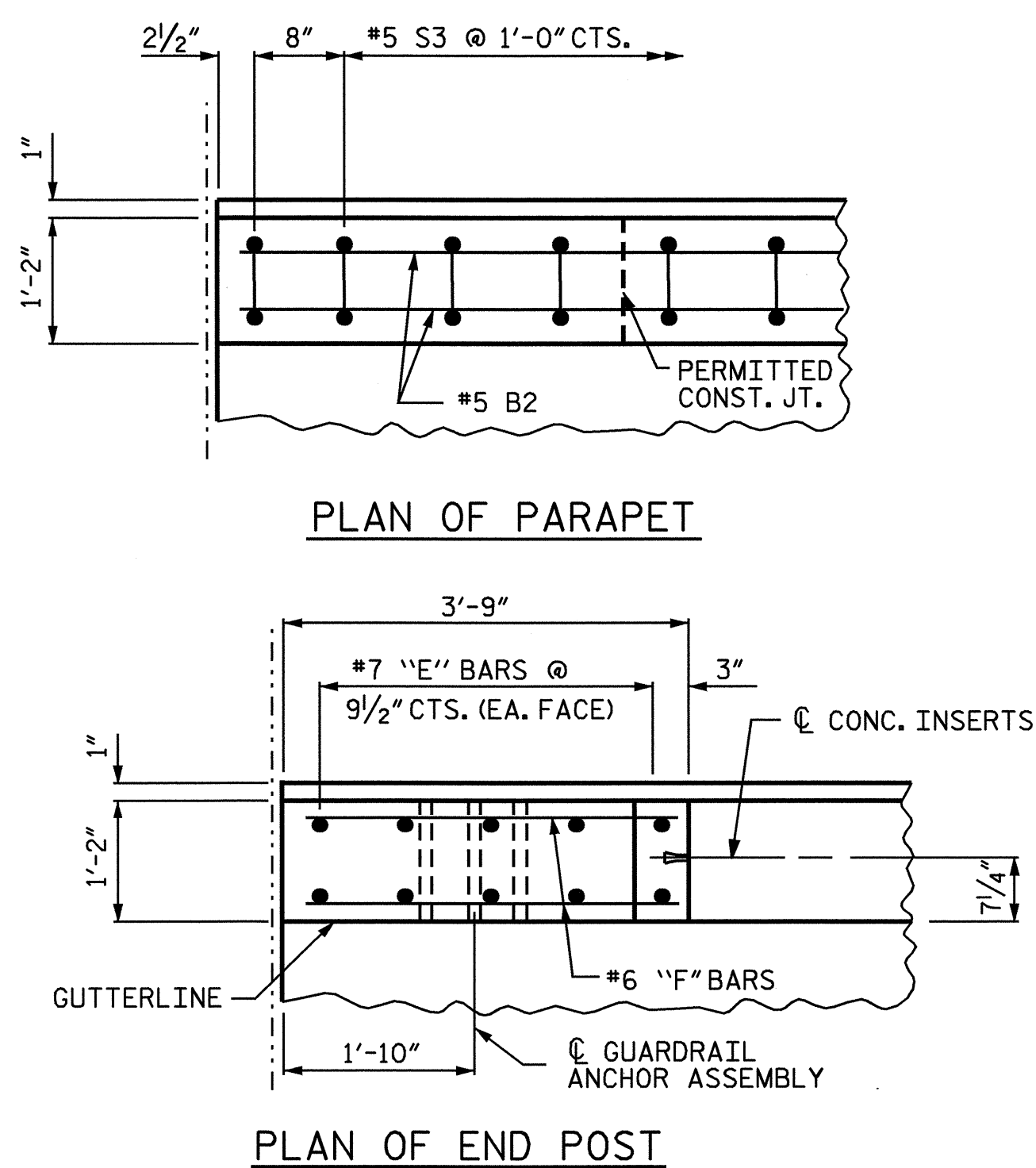


**PLAN OF PARAPET**

FOR #5 S3 BARS IN SLAB AND PARAPET, SEE "3'-0" X 1'-9" PRESTRESSED CONCRETE CORED SLAB UNIT DETAILS" SHEETS.



**PARAPET AND END POST FOR TWO BAR RAIL**

NOTE:  
FOR CONCRETE INSERT DETAILS, SEE "RAIL POST SPACING AND END OF RAIL DETAILS" SHEET.

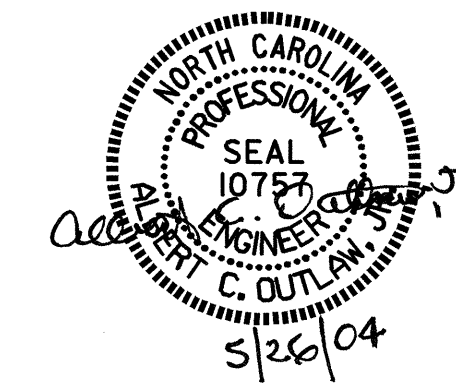
BILL OF MATERIAL					
PARAPET AND END POSTS					
BAR	NO.	SIZE	TYPE	LENGTH	WEIGHT
*B2	16	#5	STR	47'-4"	790
*E1	8	#7	STR	2'-8"	44
*E2	8	#7	STR	3'-2"	52
*E3	8	#7	STR	3'-8"	60
*E4	8	#7	STR	4'-2"	68
*E5	8	#7	STR	4'-7"	75
*F1	8	#6	STR	1'-10"	22
*F2	8	#6	STR	3'-0"	36
*F3	8	#6	STR	3'-6"	42
* EPOXY COATED REINF. STEEL = 1189 LBS.					
CLASS AA CONCRETE					12.2 C.Y.
CONCRETE PARAPET					95.75 L.F.
* THESE BARS ARE EPOXY COATED					

NOTE:  
#5 S3 BARS ARE INCLUDED IN THE BILL OF MATERIAL FOR CORED SLAB SECTION.

PROJECT NO. B-3348  
HYDE COUNTY  
 STATION: 18+34.00 -L-

STATE OF NORTH CAROLINA  
 DEPARTMENT OF TRANSPORTATION  
 RALEIGH

**CONCRETE PARAPET DETAILS**



DRAWN BY : P.C. BREWER DATE : 1/14/04  
 CHECKED BY : A.C. OUTLAW DATE : 1/27/04

26-MAY-2004 07:05  
 W:\squad\B3348\str1\pbr\microstation\B3348.sd.2MR.01.dgn  
 pbr

REVISIONS						SHEET NO.
NO.	BY:	DATE:	NO.	BY:	DATE:	S-11
1			3			TOTAL SHEETS
2			4			76

STR. #1