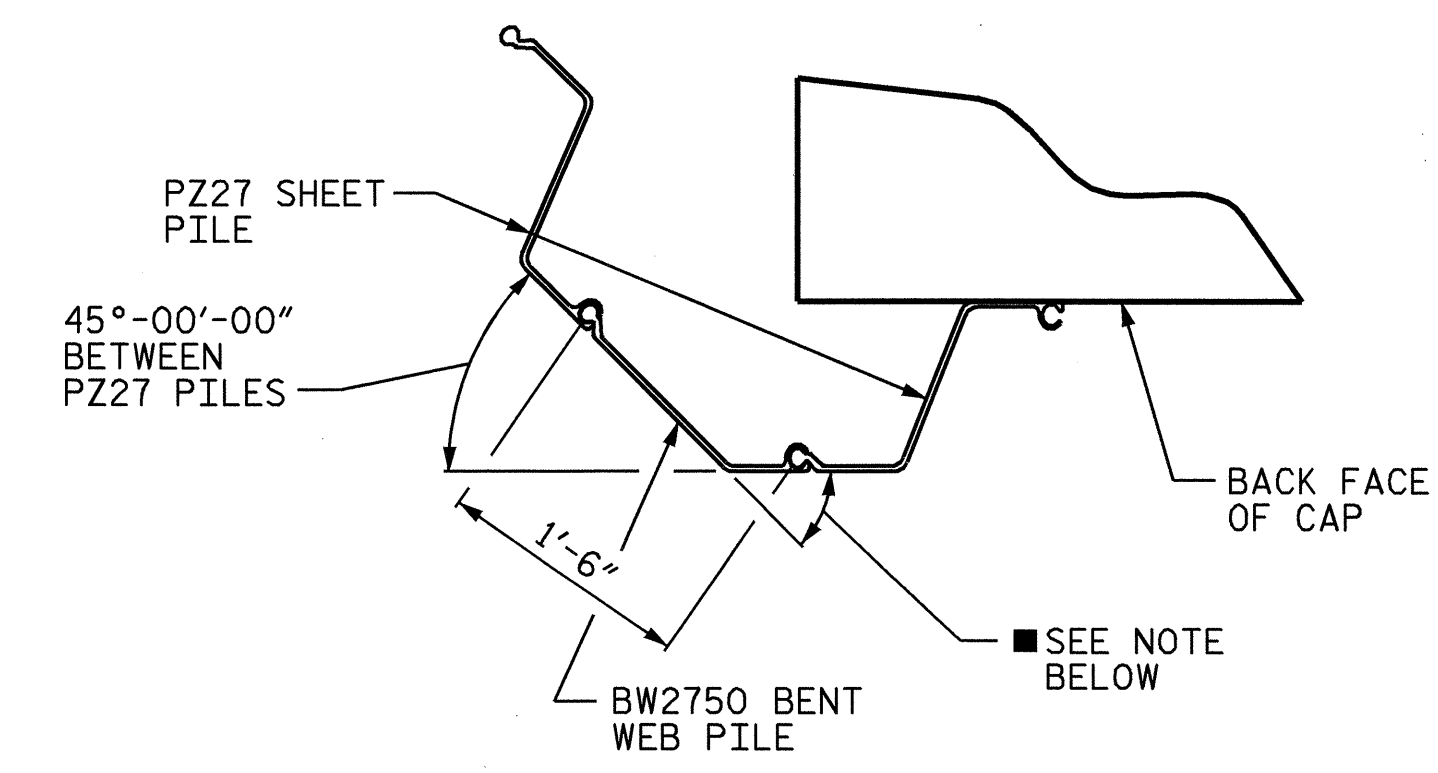


**PLAN (STAGE 2)**

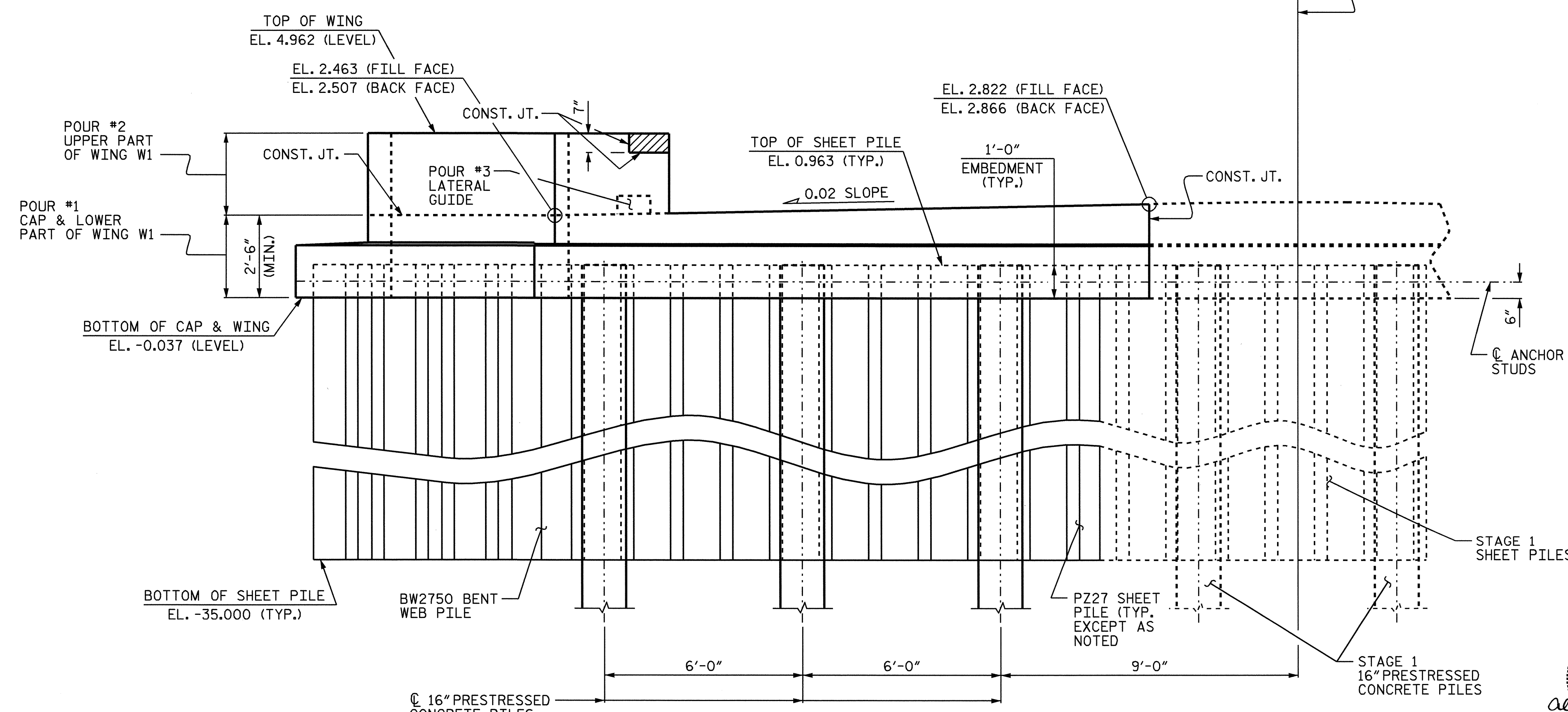
(FOR CLARITY, BEARING PADS & DOWELS NOT SHOWN IN PLAN VIEW)

**NOTES:**  
 SEE END ELEVATION ON SHEET 1 OF 6.  
 FOR ANCHOR STUD DETAIL, SEE SHEET 1 OF 6.



**DETAIL "C"**

NOTE:  
 THE BEND IN THE BENT WEB PILE SHALL BE DETERMINED BY THE FABRICATOR.

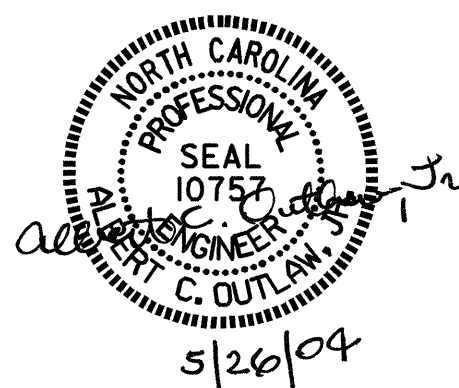


**ELEVATION (STAGE 2)**

(FOR REINFORCING STEEL IN CAP, SEE SHEET 4 OF 6)

PROJECT NO. B-3348  
HYDE COUNTY  
 STATION: 18+34.00 -L-

SHEET 3 OF 6  
 STATE OF NORTH CAROLINA  
 DEPARTMENT OF TRANSPORTATION  
 RALEIGH  
 SUBSTRUCTURE  
 END BENT No. 2  
 STAGE 2



DRAWN BY: P.C. BREWER DATE: 3/2/04  
 CHECKED BY: C.H. SIMPSON DATE: 4/5/04

REVISIONS						SHEET NO.
NO.	BY:	DATE:	NO.	BY:	DATE:	S-25
1			3			TOTAL SHEETS
2			4			76