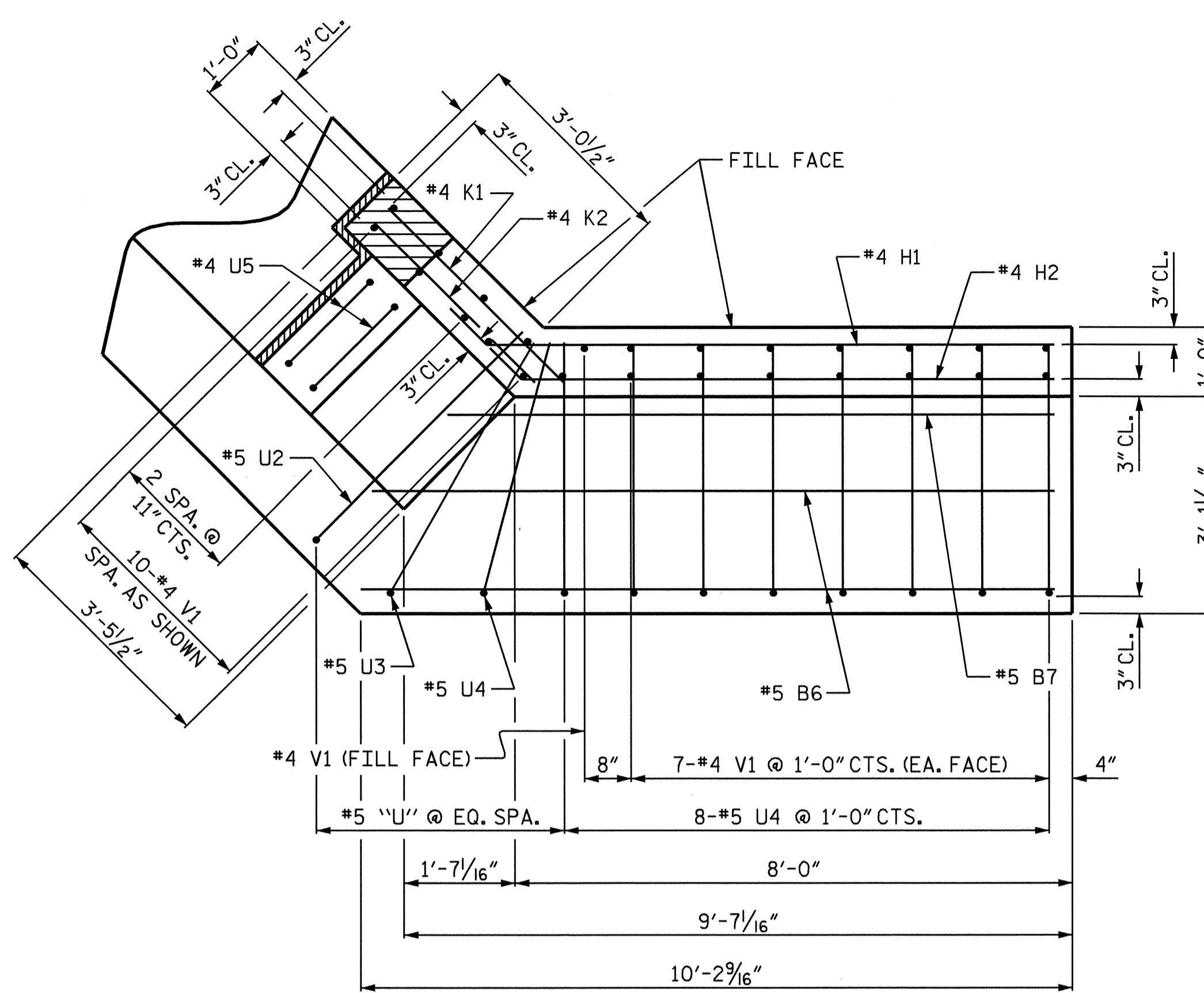
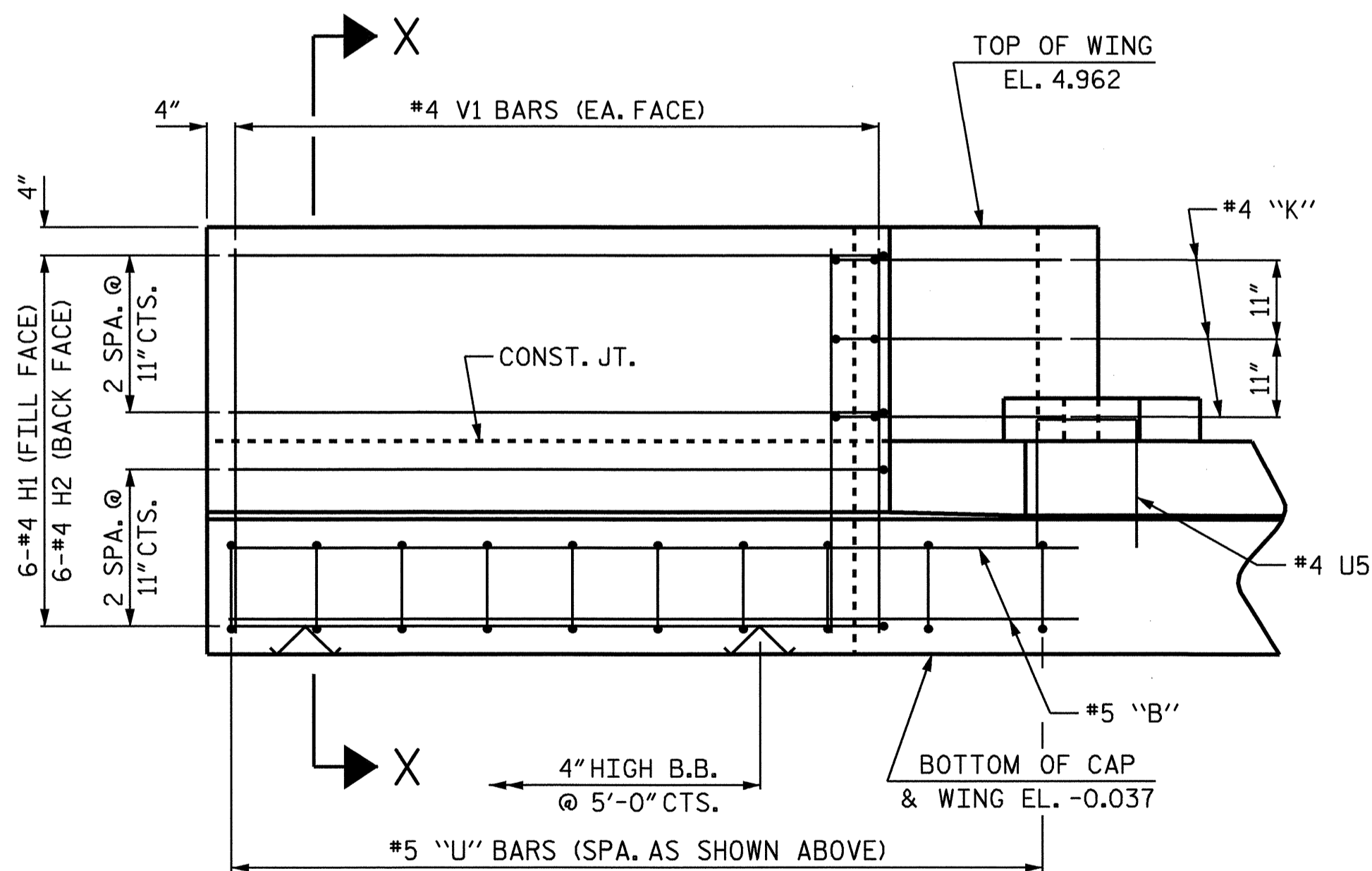


PLAN OF WING (W1)
(STAGE 2)

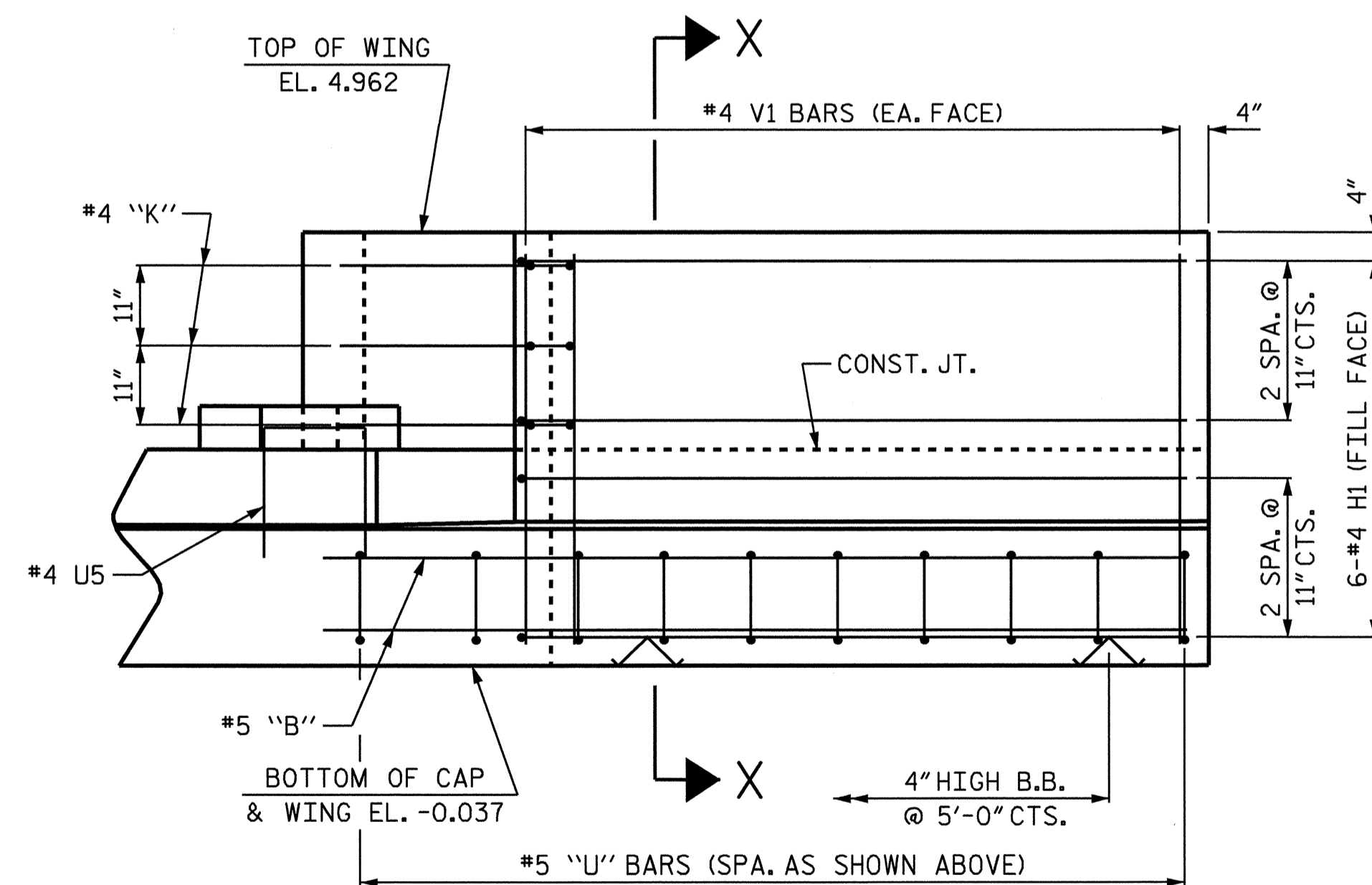


PLAN OF WING (W2)
(STAGE 1)

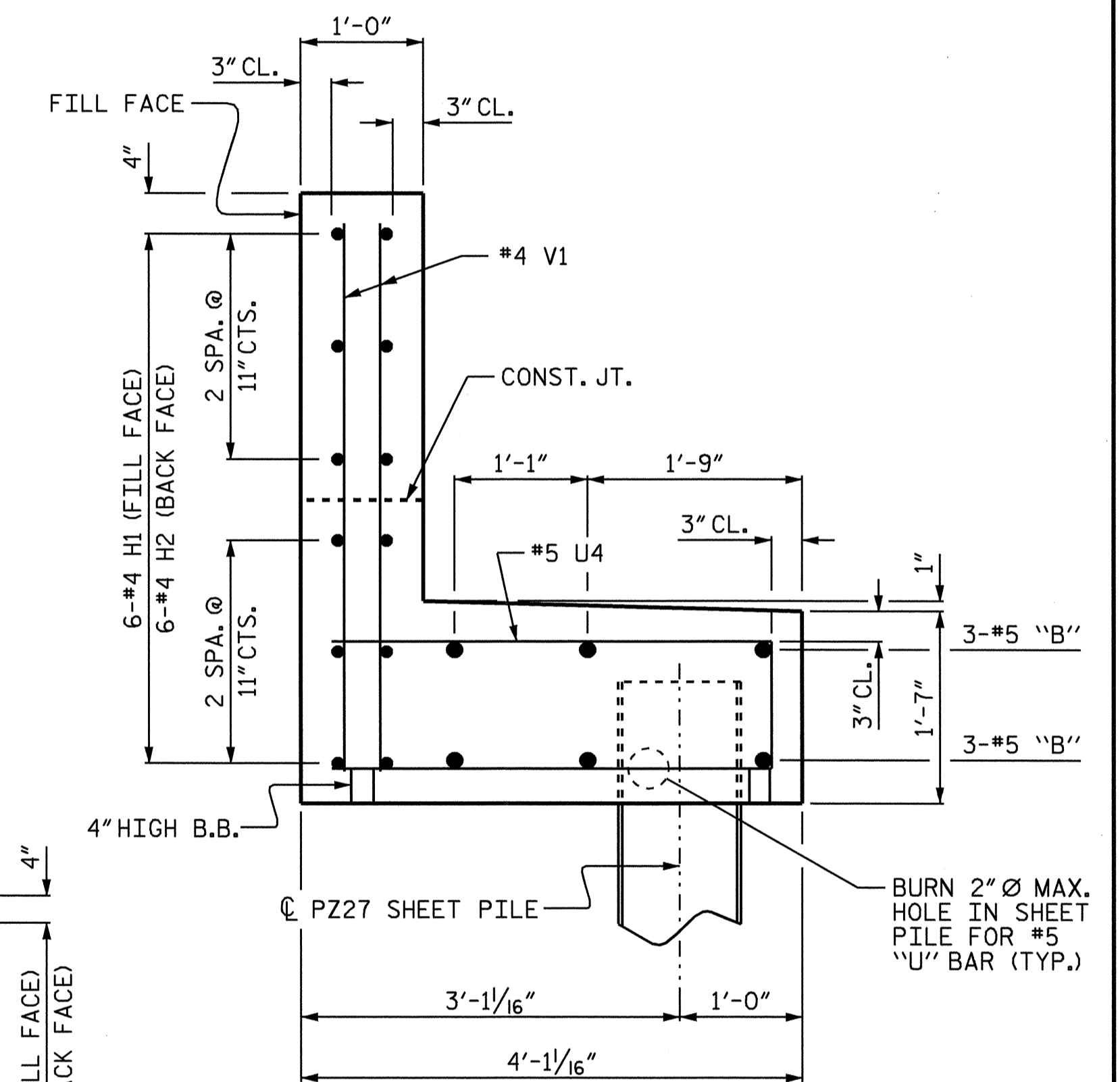
NOTE:
FOR CLARITY, SHEET PILES ARE NOT
SHOWN IN PLAN AND ELEVATION VIEWS.



ELEVATION OF WING (W1)
(STAGE 2)



ELEVATION OF WING (W2)
(STAGE 1)



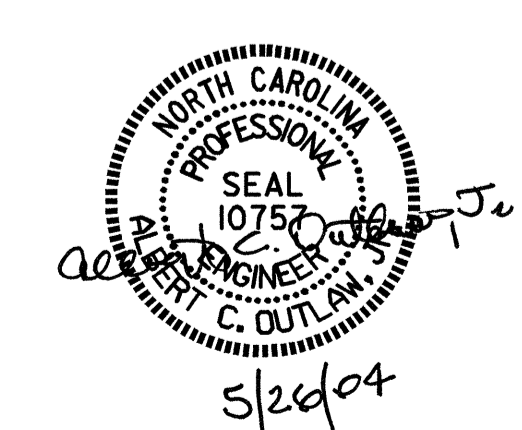
SECTION X-X

PROJECT NO. B-3348
HYDE COUNTY
STATION: 18+34.00 -L-

SHEET 5 OF 6

STATE OF NORTH CAROLINA
DEPARTMENT OF TRANSPORTATION
RALEIGH

SUBSTRUCTURE
END BENT No. 2



DRAWN BY: P.C. BREWER DATE: 3/2/04
CHECKED BY: C.H. SIMPSON DATE: 4/5/04

26-MAY-2004 07:09
W:\squad\b3348\str1\pbrewer\l\microstation\B3348.ed.EB2.01.dgn
pbrewer

REVISIONS						SHEET NO.
NO.	BY:	DATE:	NO.	BY:	DATE:	S-27
1			3			TOTAL SHEETS
2			4			76