

**NOTES:**

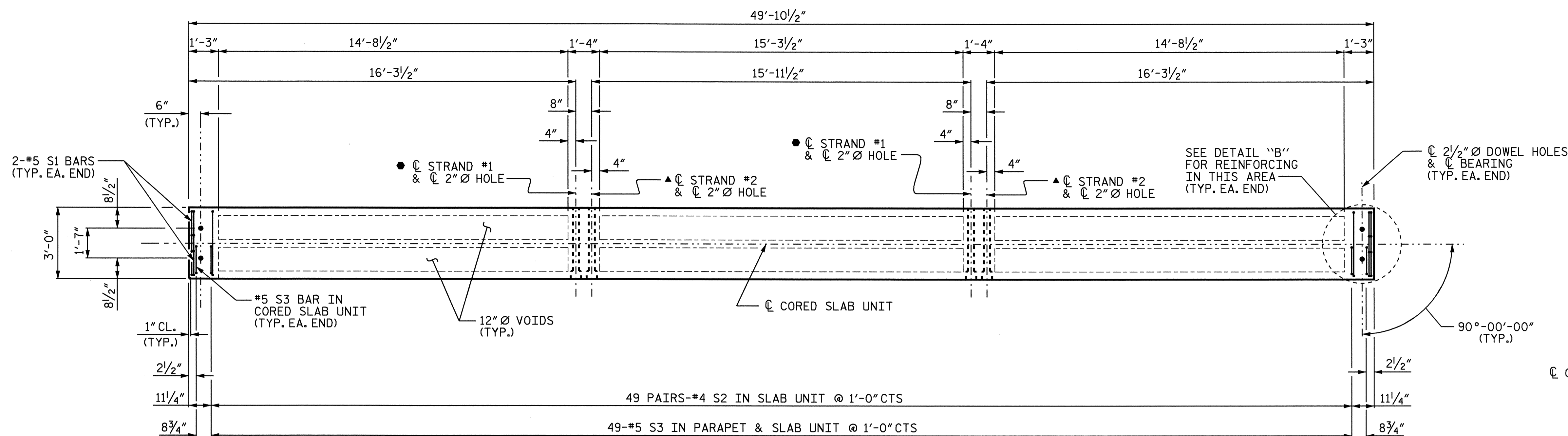
FOR GROUTED RECESS, SEE "SUPERSTRUCTURE TYPICAL SECTION" SHEET 2 OF 2.

● STRAND #1 GOES THRU 8 CORED SLAB UNITS (TO BE TENSIONED DURING STAGE 1 CONSTRUCTION)

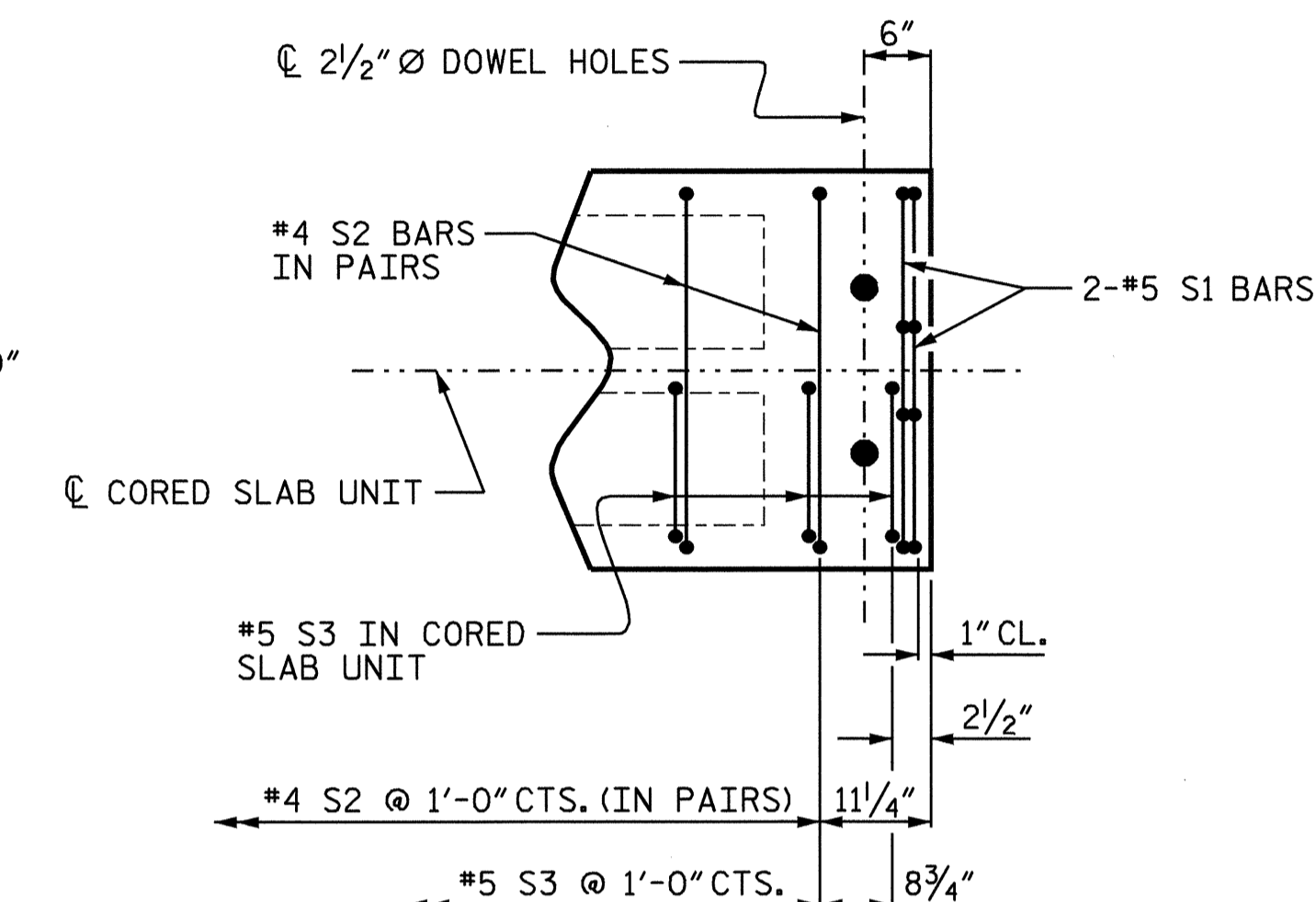
▲ STRAND #2 GOES THRU ALL 13 CORED SLAB UNITS (TO BE TENSIONED DURING STAGE 2 CONSTRUCTION)

●▲ STRAND #1 AND STRAND #2 ARE 1/2" Ø H.S. TRANSVERSE POST-TENSIONING STRANDS.

THE #4 S2 AND #5 S3 BARS MAY BE SHIFTED SLIGHTLY IN ORDER TO MAINTAIN A 2" MIN. CLEARANCE TO THE 2" Ø HOLES.

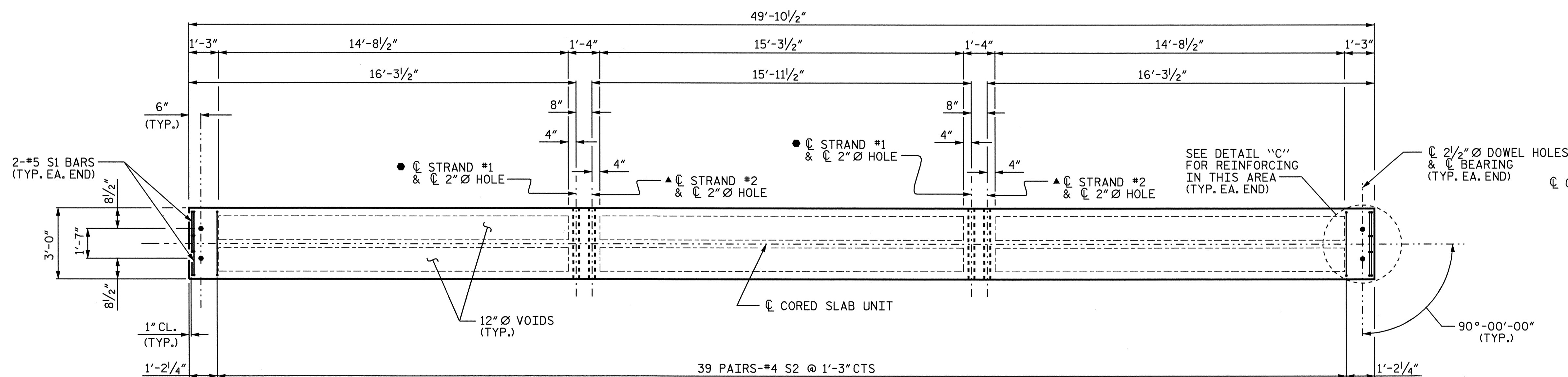


**PLAN OF TYPE I CORED SLAB UNIT (STAGE 1)**

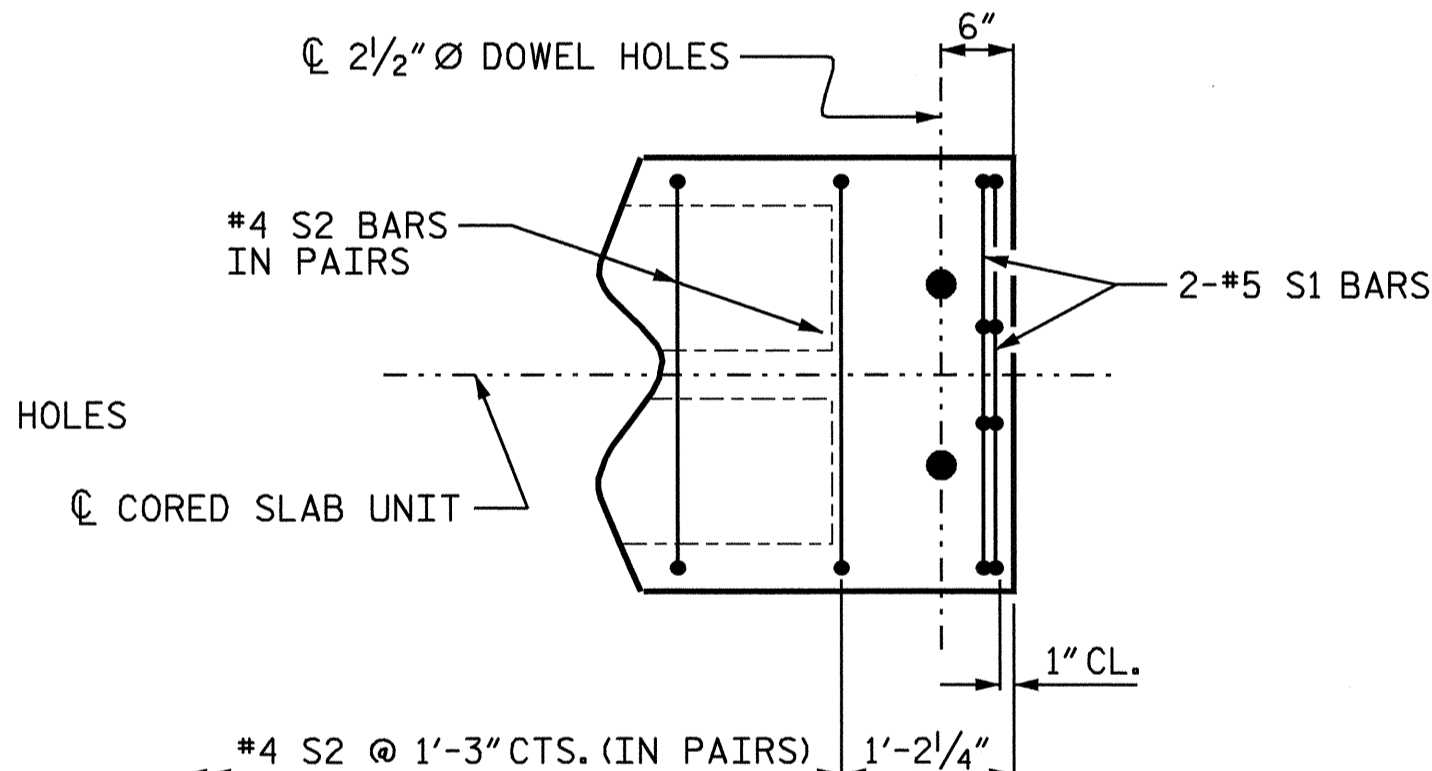


**DETAIL "B"**

(EACH END SIMILAR)



**PLAN OF TYPE II CORED SLAB UNIT (STAGE 1)**



**DETAIL "C"**

(EACH END SIMILAR)

PROJECT NO. B-3348

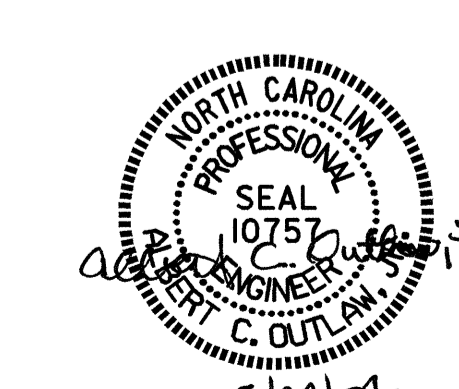
HYDE COUNTY

STATION: 22+85.00 -L-

SHEET 1 OF 3

STATE OF NORTH CAROLINA  
DEPARTMENT OF TRANSPORTATION  
RALEIGH

3'-0" X 1'-9"  
PRESTRESSED CONCRETE  
CORED SLAB UNIT  
DETAILS



DRAWN BY : P.C. BREWER DATE : 1/15/03  
CHECKED BY : T.N. CARROLL DATE : 3/10/03

27-MAY-2004 09:07  
W:\squad\B3348\str2\pbrewer\Microstation\B3348.sd.CS.02.dgn  
pbrewer

REVISIONS				SHEET NO.
NO.	BY:	DATE:	NO.	DATE:
1			3	
2			4	

STR. #2