

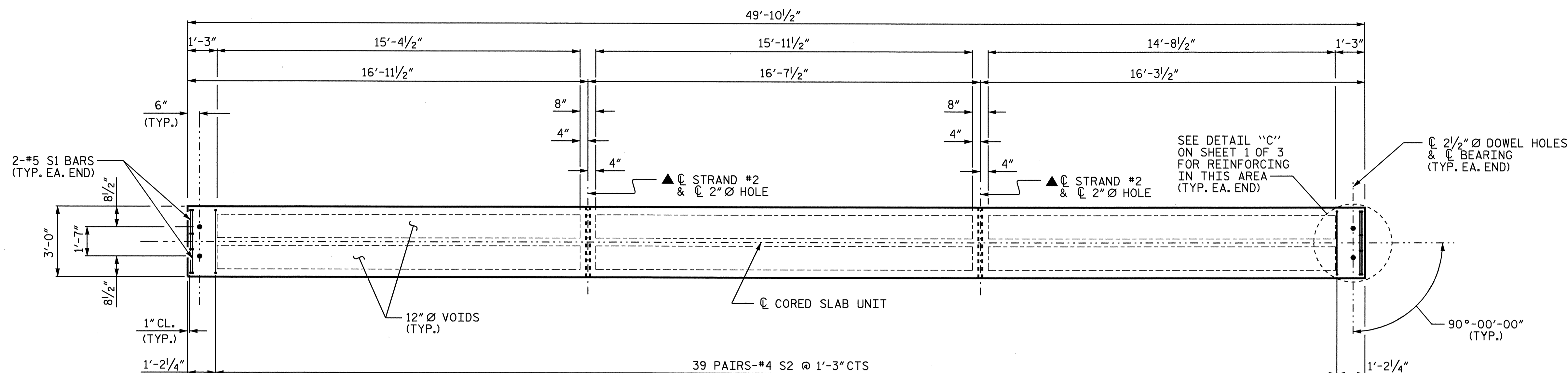
NOTES:

FOR GROUDED RECESS SEE "SUPERSTRUCTURE TYPICAL SECTION" SHEET 2 OF 2.

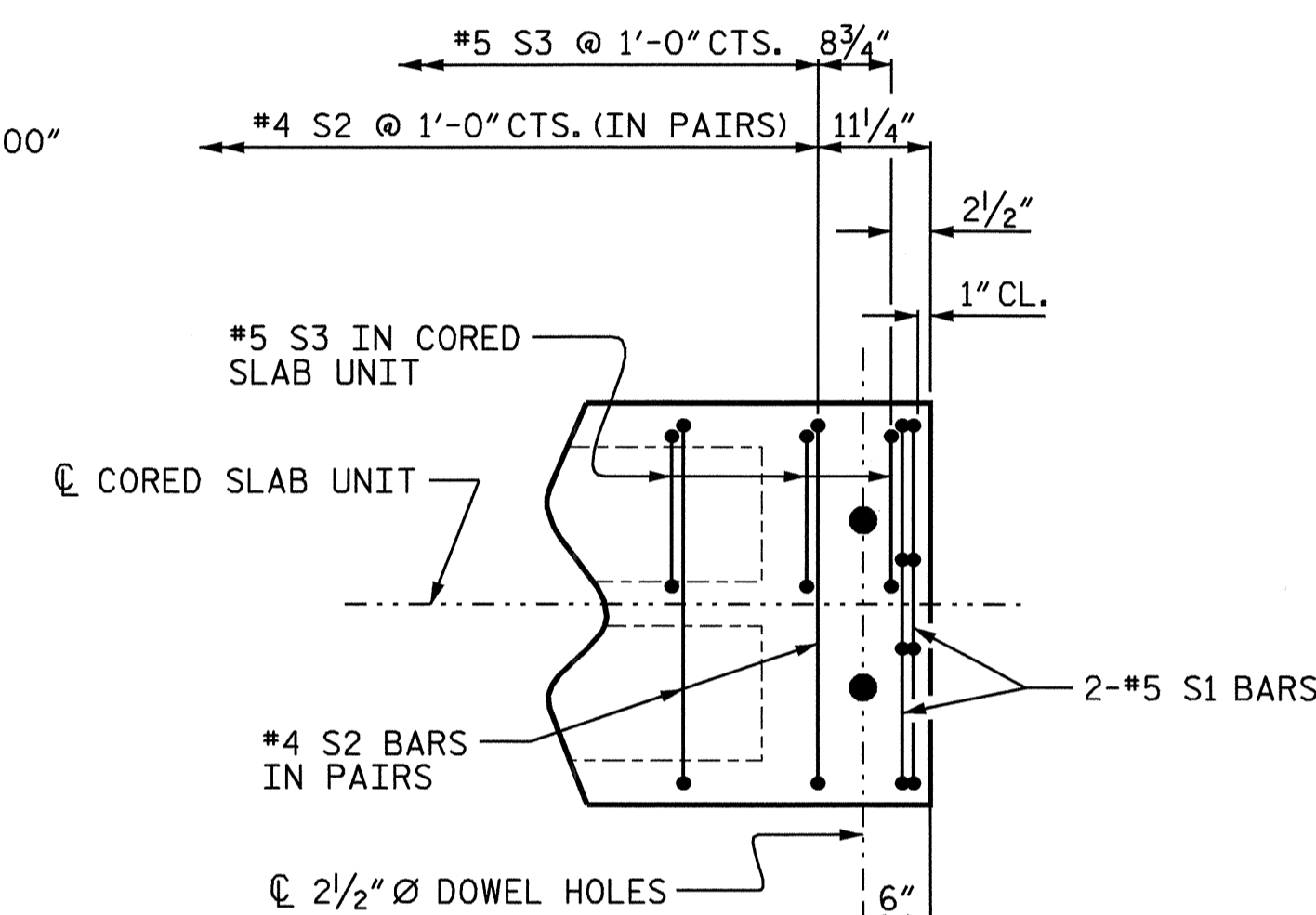
▲ STRAND #2 GOES THRU ALL 13 CORED SLAB UNITS (TO BE TENSIONED DURING STAGE 2 CONSTRUCTION)

▲ STRAND #2 IS 1/2" Ø H.S. TRANSVERSE POST-TENSIONING STRAND.

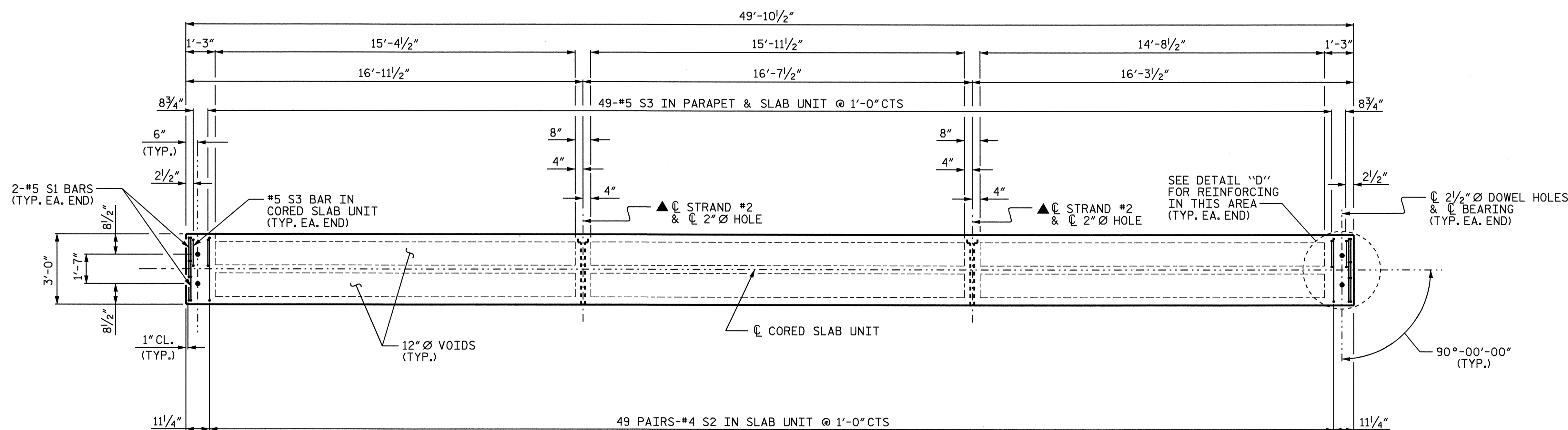
THE #4 S2 AND #5 S3 BARS MAY BE SHIFTED SLIGHTLY IN ORDER TO MAINTAIN A 2" MIN. CLEARANCE TO THE 2" Ø HOLES.



PLAN OF TYPE V CORED SLAB UNIT (STAGE 2)



DETAIL "D"
(EACH END SIMILAR)

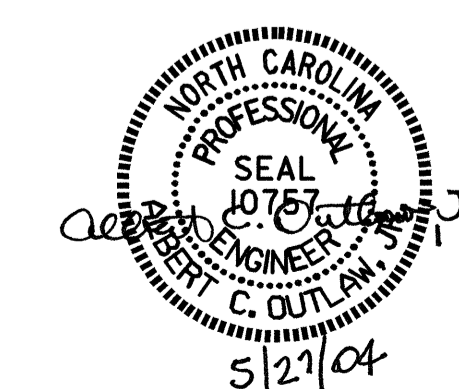


PLAN OF TYPE VI CORED SLAB UNIT (STAGE 2)

PROJECT NO. B-3348
HYDE COUNTY
 STATION: 22+85.00 -L-

SHEET 3 OF 3

STATE OF NORTH CAROLINA
 DEPARTMENT OF TRANSPORTATION
 RALEIGH
 3'-0" X 1'-9"
 PRESTRESSED CONCRETE
 CORED SLAB UNIT
 DETAILS



DRAWN BY: P.C. BREWER DATE: 1/15/03
 CHECKED BY: I.N. CARROLL DATE: 3/10/03

27-MAY-2004 09:07
 W:\sq\edv\b3348\str2\pbrewer\Microstation\B3348_ed_CS_02.dgn
 pbrewer

REVISIONS						SHEET NO.	
NO.	BY:	DATE:	NO.	BY:	DATE:	S-43	
1			3			TOTAL SHEETS	
2			4			76	