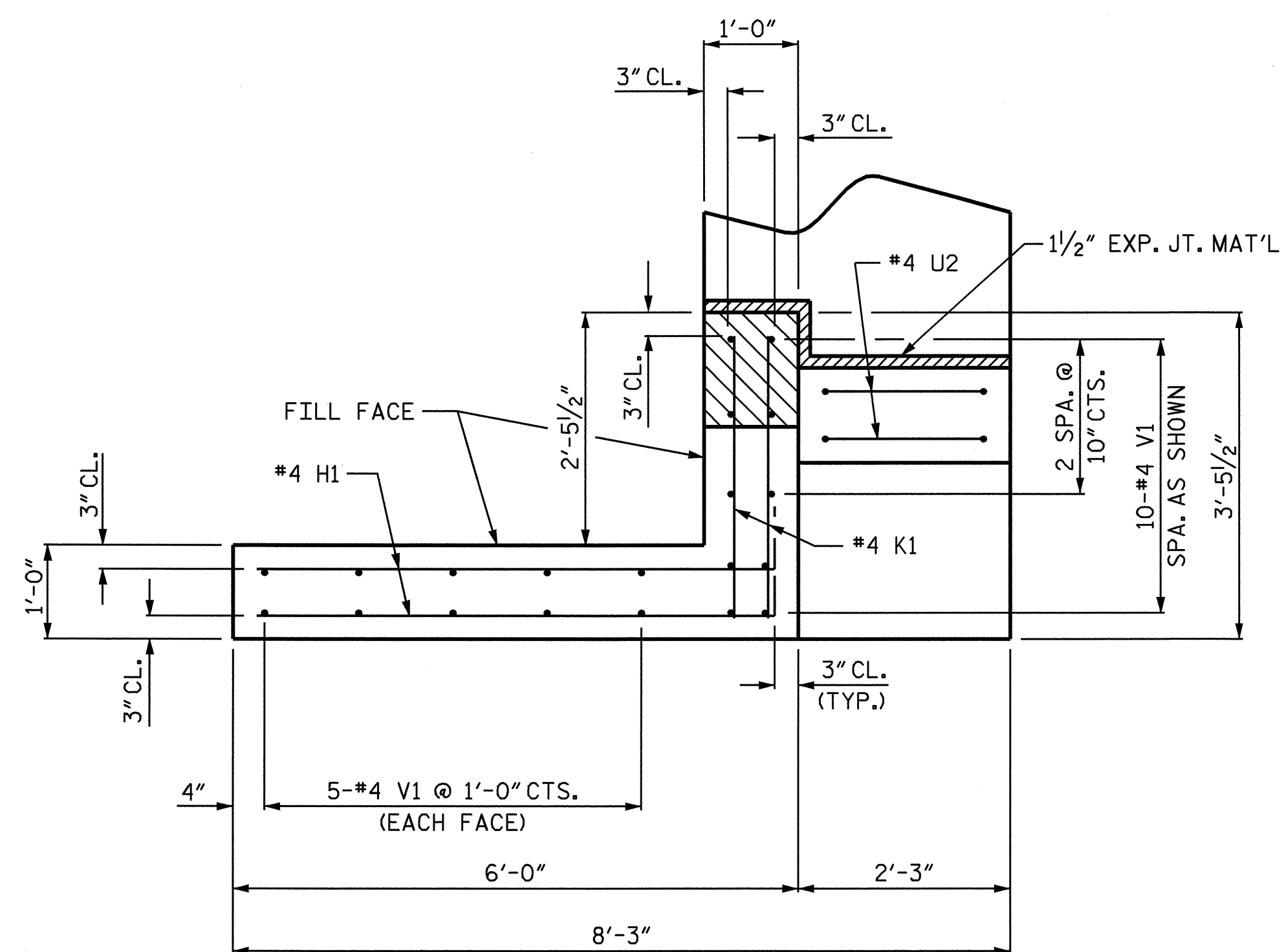
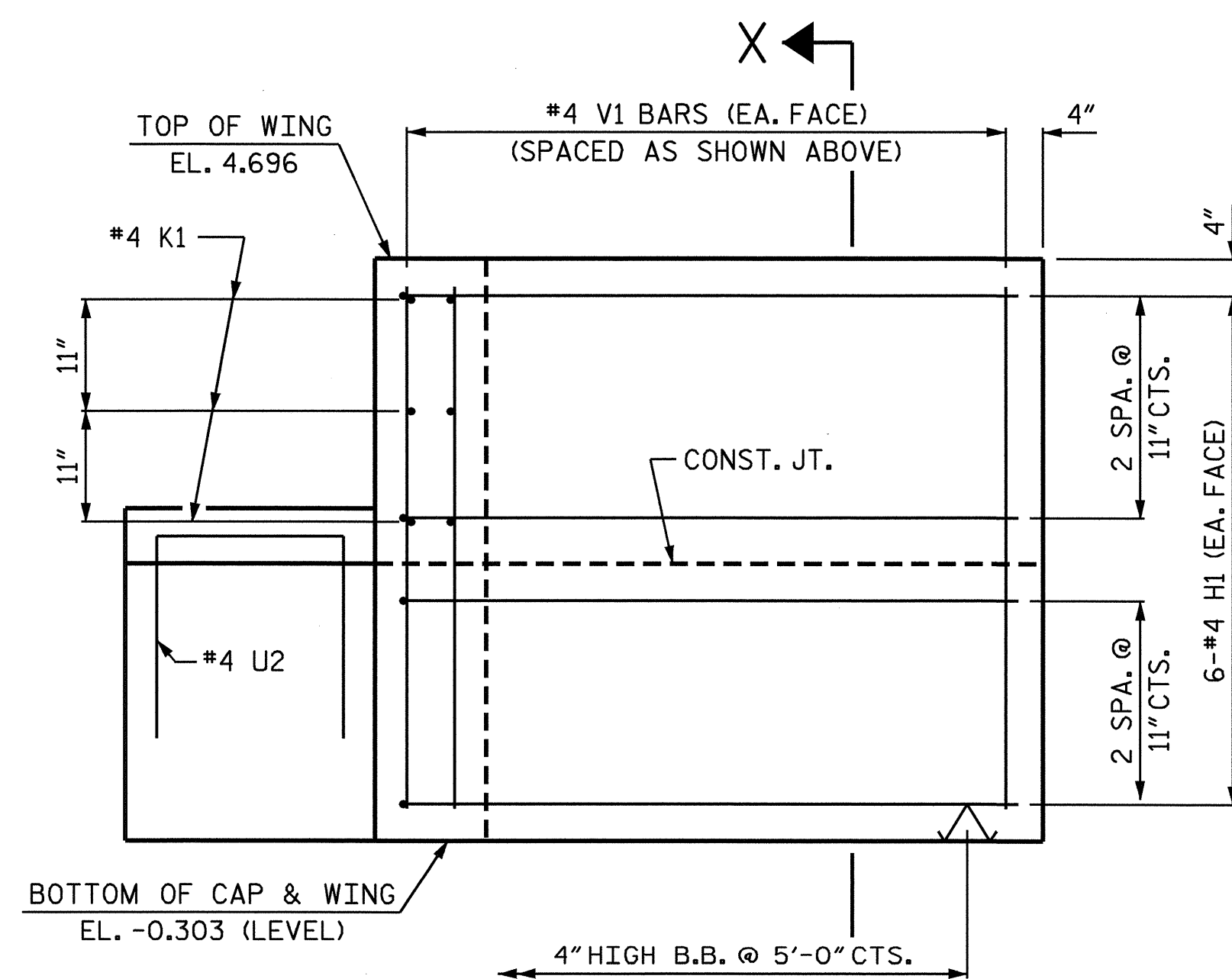


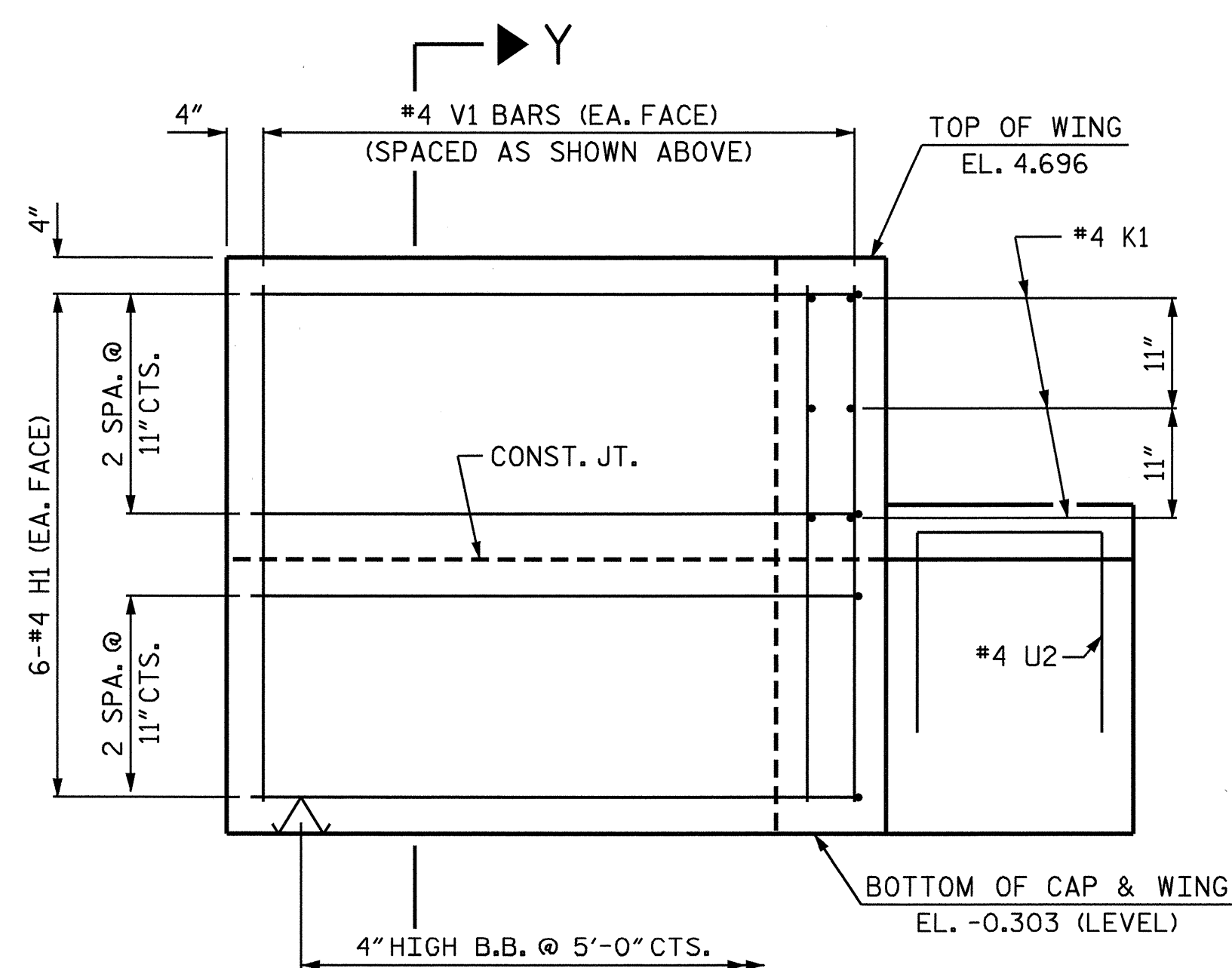
PLAN OF WING (W1)
(STAGE 2)



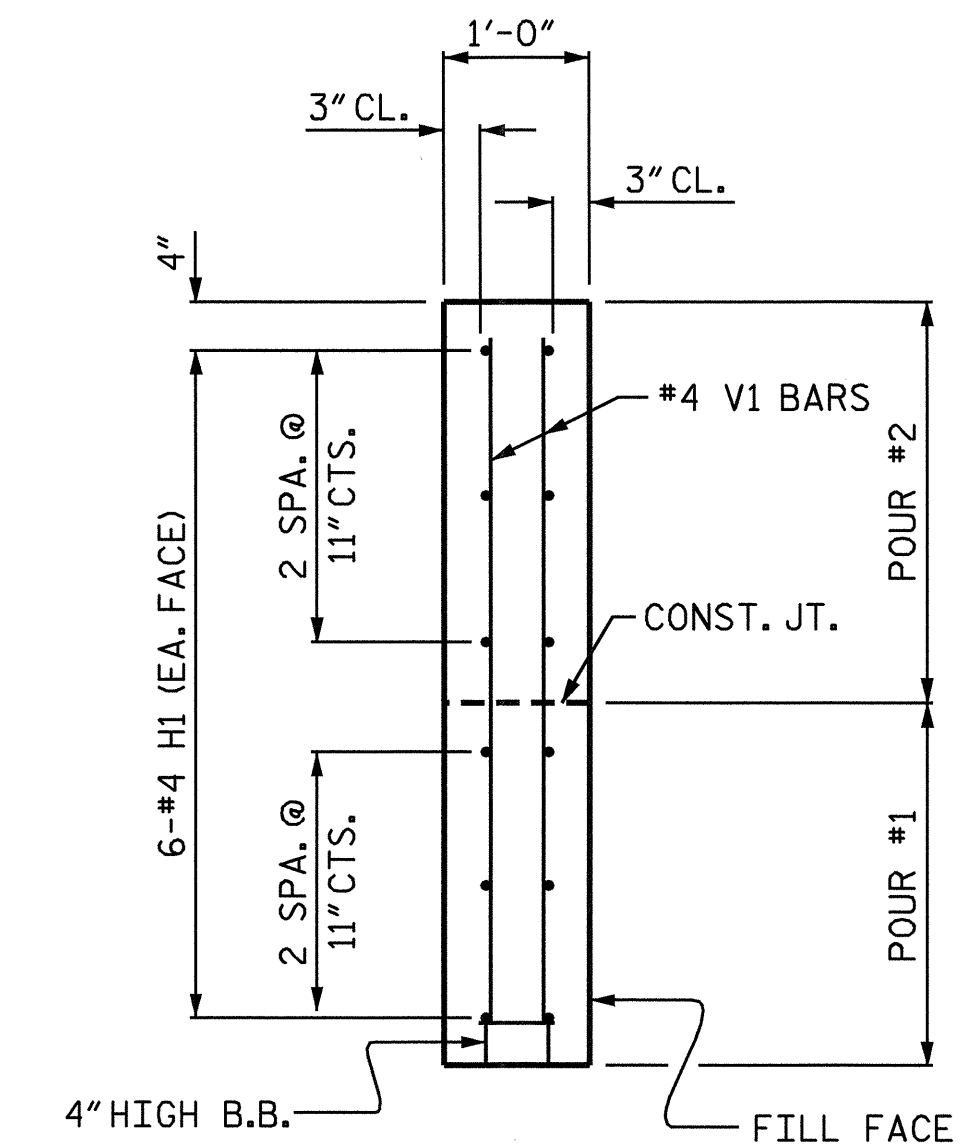
PLAN OF WING (W2)
(STAGE 1)



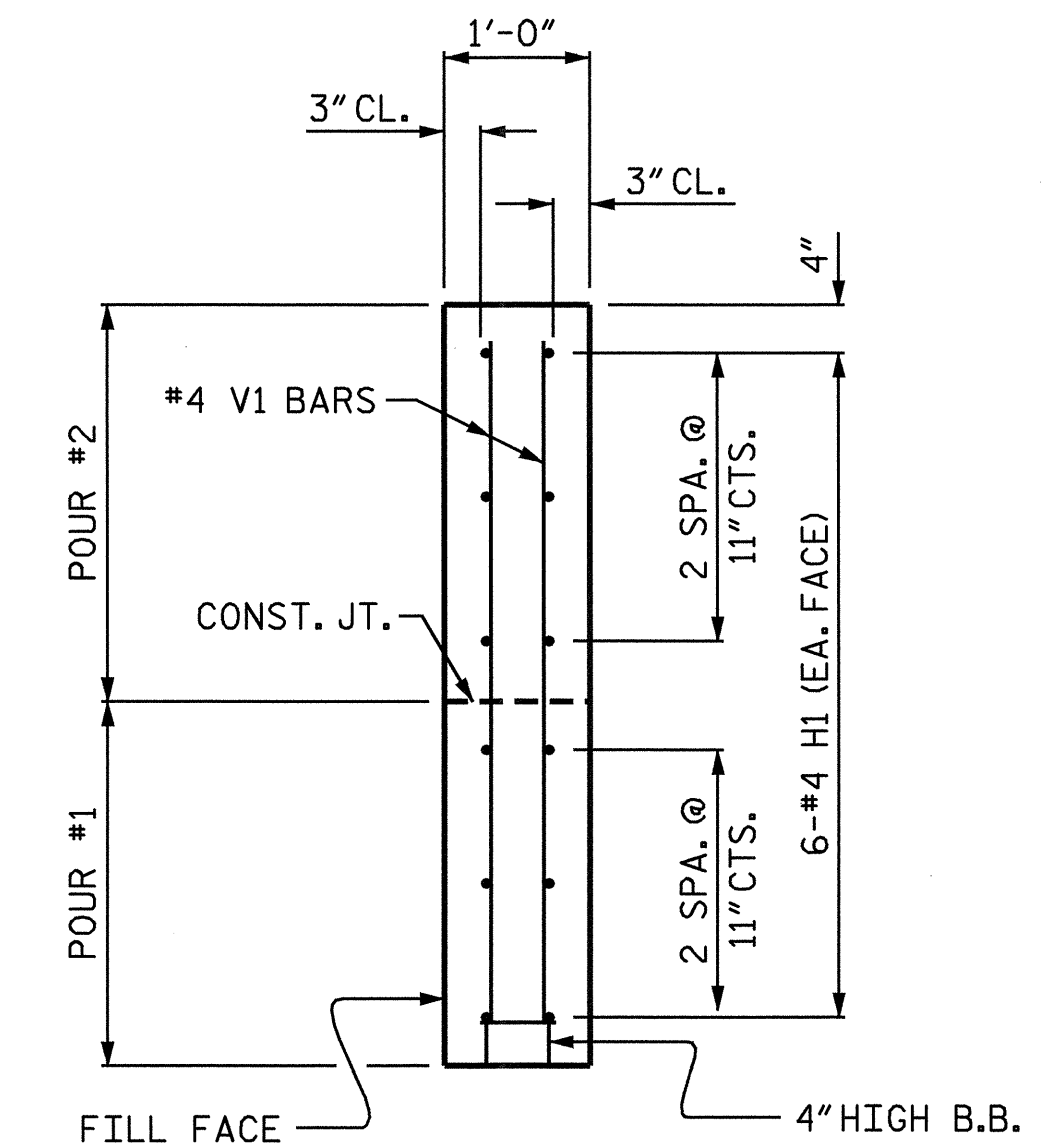
ELEVATION OF WING (W1)
(STAGE 2)



ELEVATION OF WING (W2)
(STAGE 1)



SECTION X-X



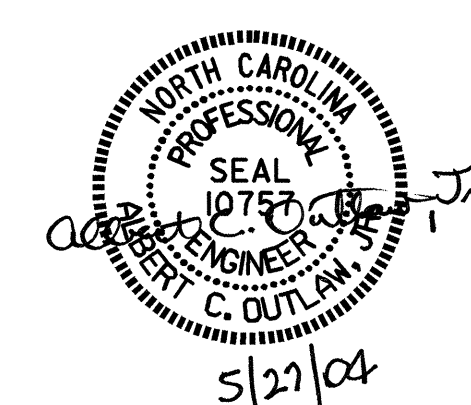
SECTION Y-Y

PROJECT NO. B-3348
HYDE COUNTY
STATION: 22+85.00 -L-

SHEET 3 OF 4

STATE OF NORTH CAROLINA
DEPARTMENT OF TRANSPORTATION
RALEIGH

SUBSTRUCTURE
END BENT No. 1



REVISIONS						SHEET NO.	
NO.	BY:	DATE:	NO.	BY:	DATE:	S-52	
1			3			TOTAL SHEETS	
2			4			76	

DRAWN BY: P.C. BREWER DATE: 2/10/04
CHECKED BY: S.B. WILLIAMS DATE: 2/23/04

27-MAY-2004 09:11
W:\squad\B3348\str2\pbrewer\Microstation\B3348_sd.EB1.02.dgn
pbrewer