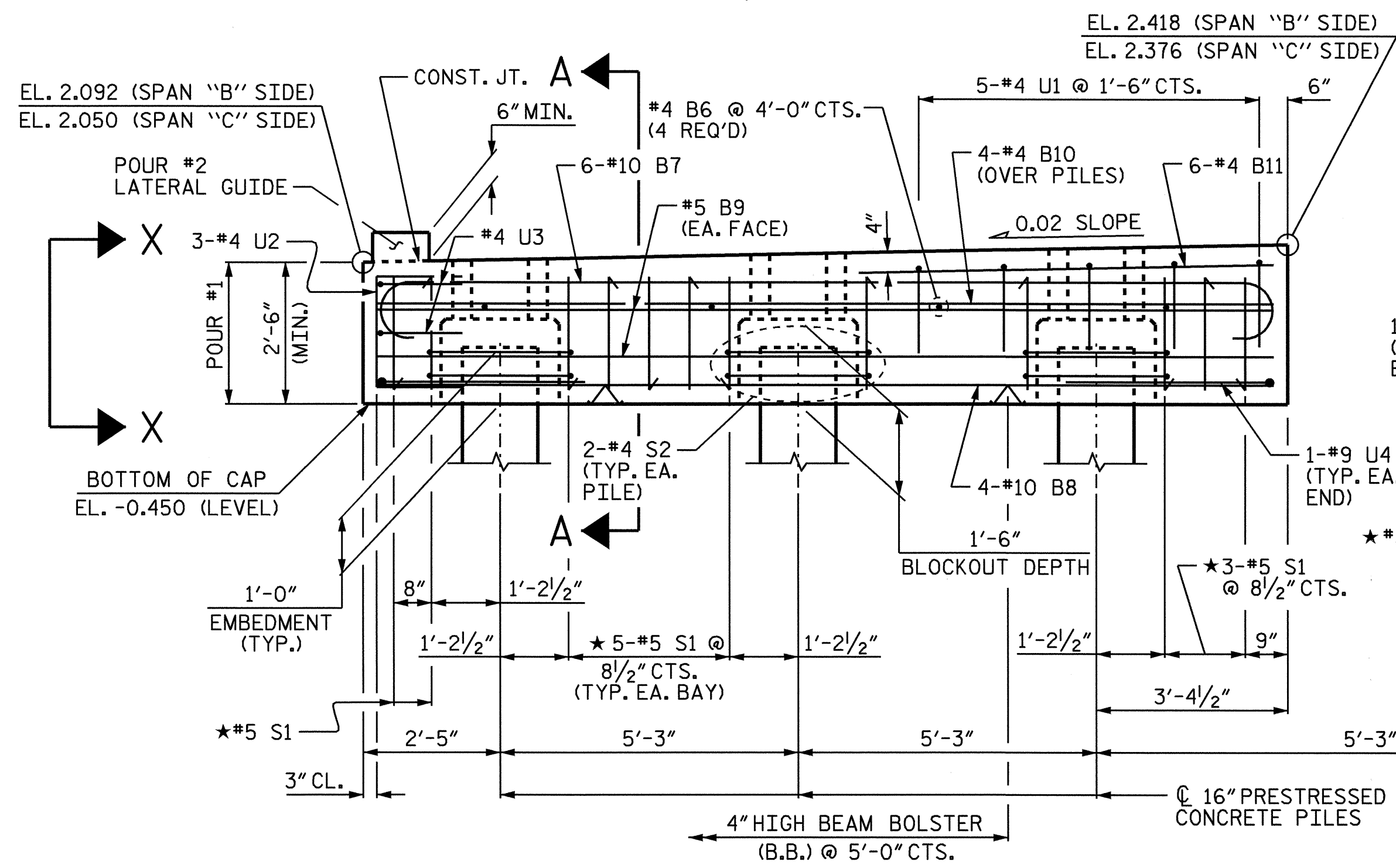
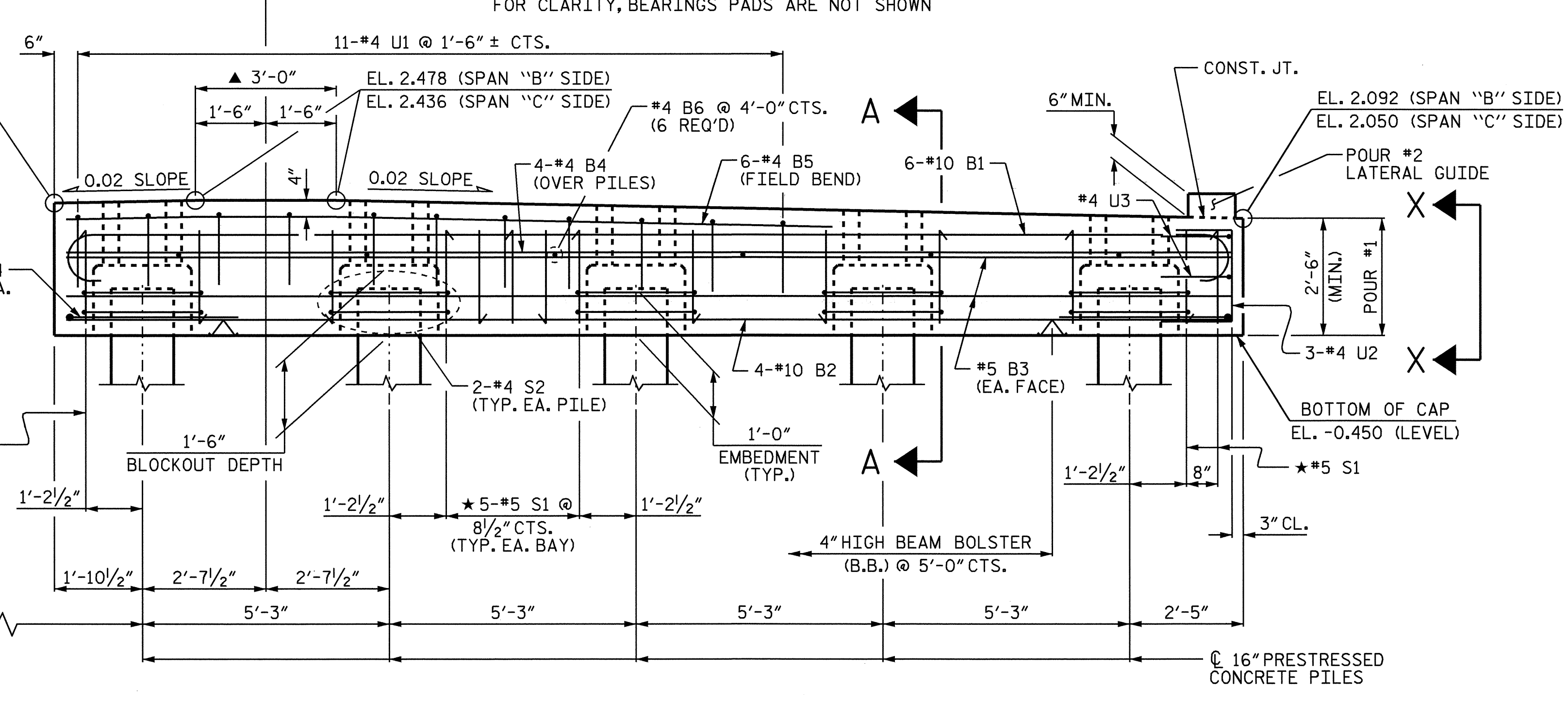


PLAN (STAGE 2)

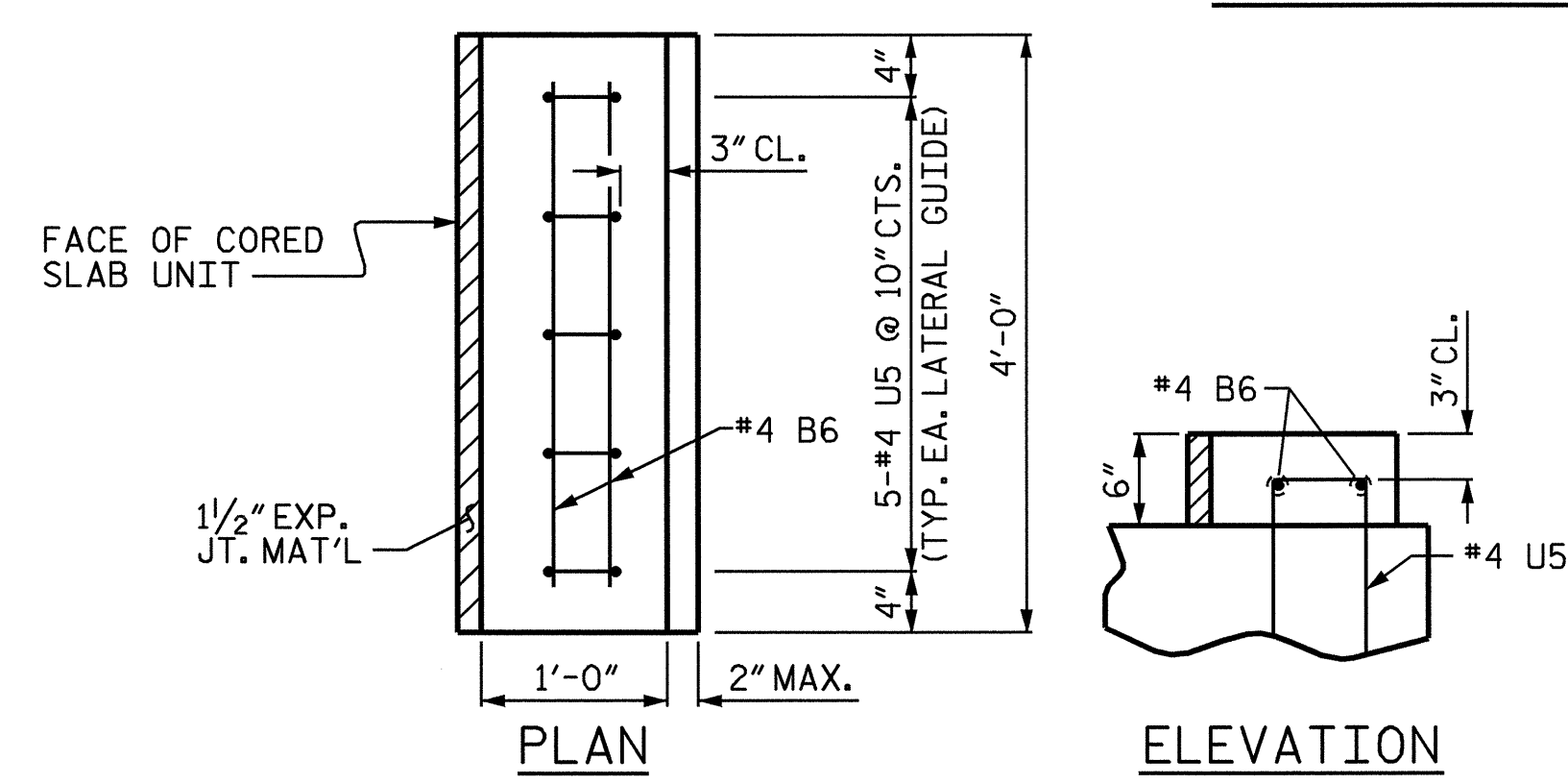
PLAN (STAGE 1)



ELEVATION (STAGE 2)



ELEVATION (STAGE 1)



LATERAL GUIDE DETAIL

(STAGE 1 SHOWN, STAGE 2 SIMILAR)

▲ THIS AREA OF THE CAP IS LEVEL IN THE TRANSVERSE DIRECTION.
 ★ INVERT ALTERNATE STIRRUPS AS SHOWN.

PROJECT NO. B-3348
 HYDE COUNTY
 STATION: 22+85.00 -L-

SHEET 1 OF 2

REVISIONS						SHEET NO.
NO.	BY:	DATE:	NO.	BY:	DATE:	S-65
1			3			TOTAL SHEETS
2			4			76

DRAWN BY: P.C. BREWER DATE: 5/5/04
 CHECKED BY: B.N. GRADY DATE: 5/04

