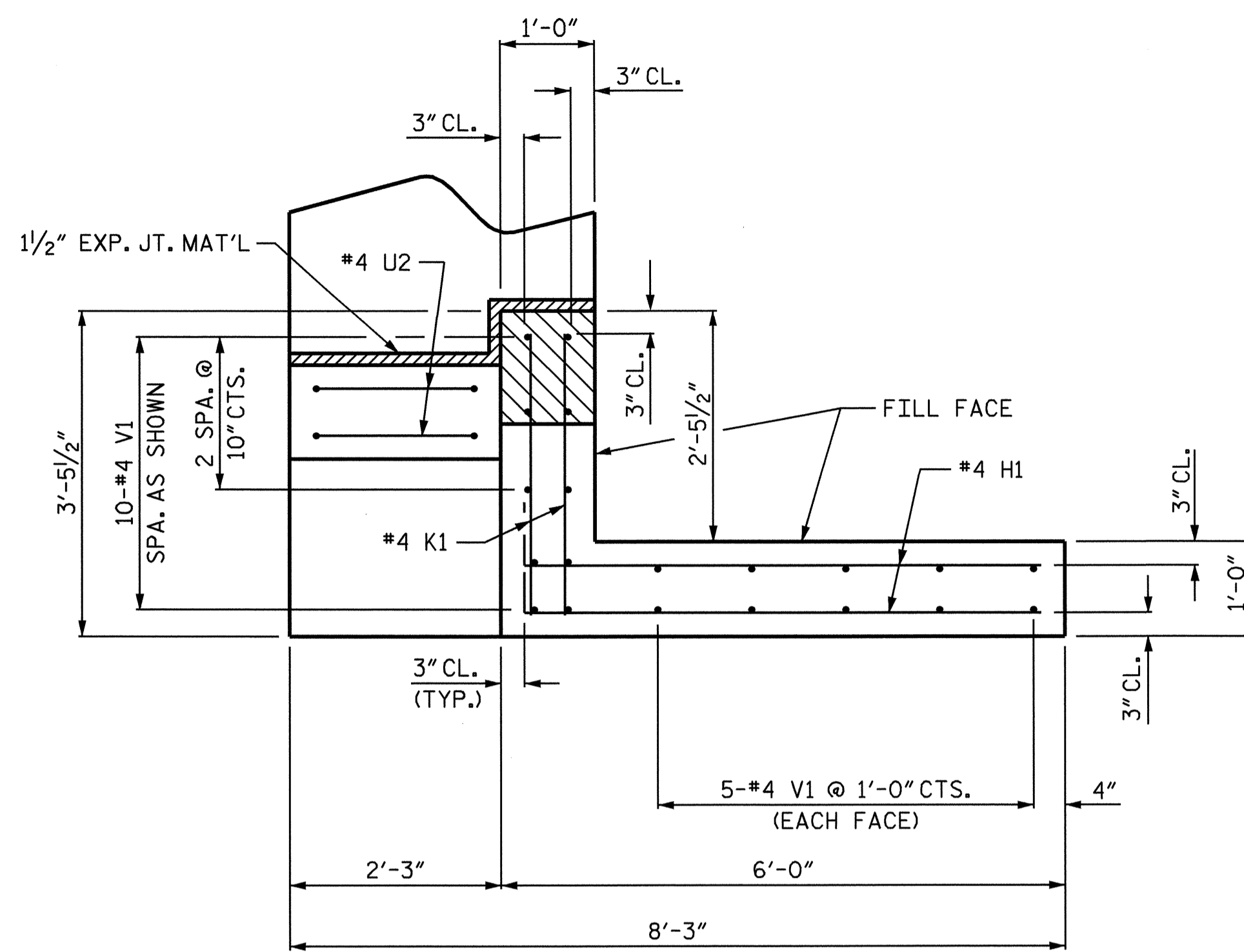
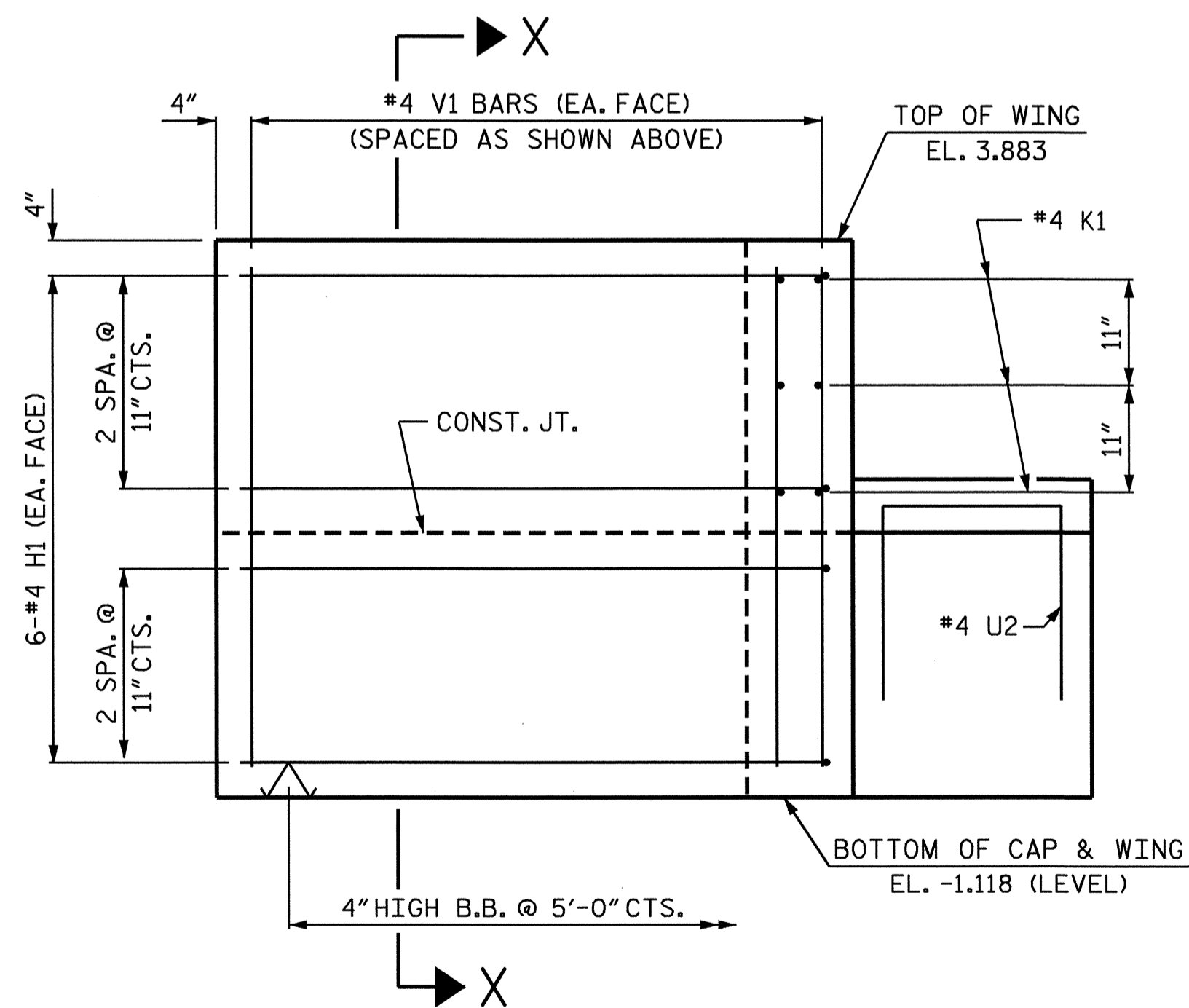


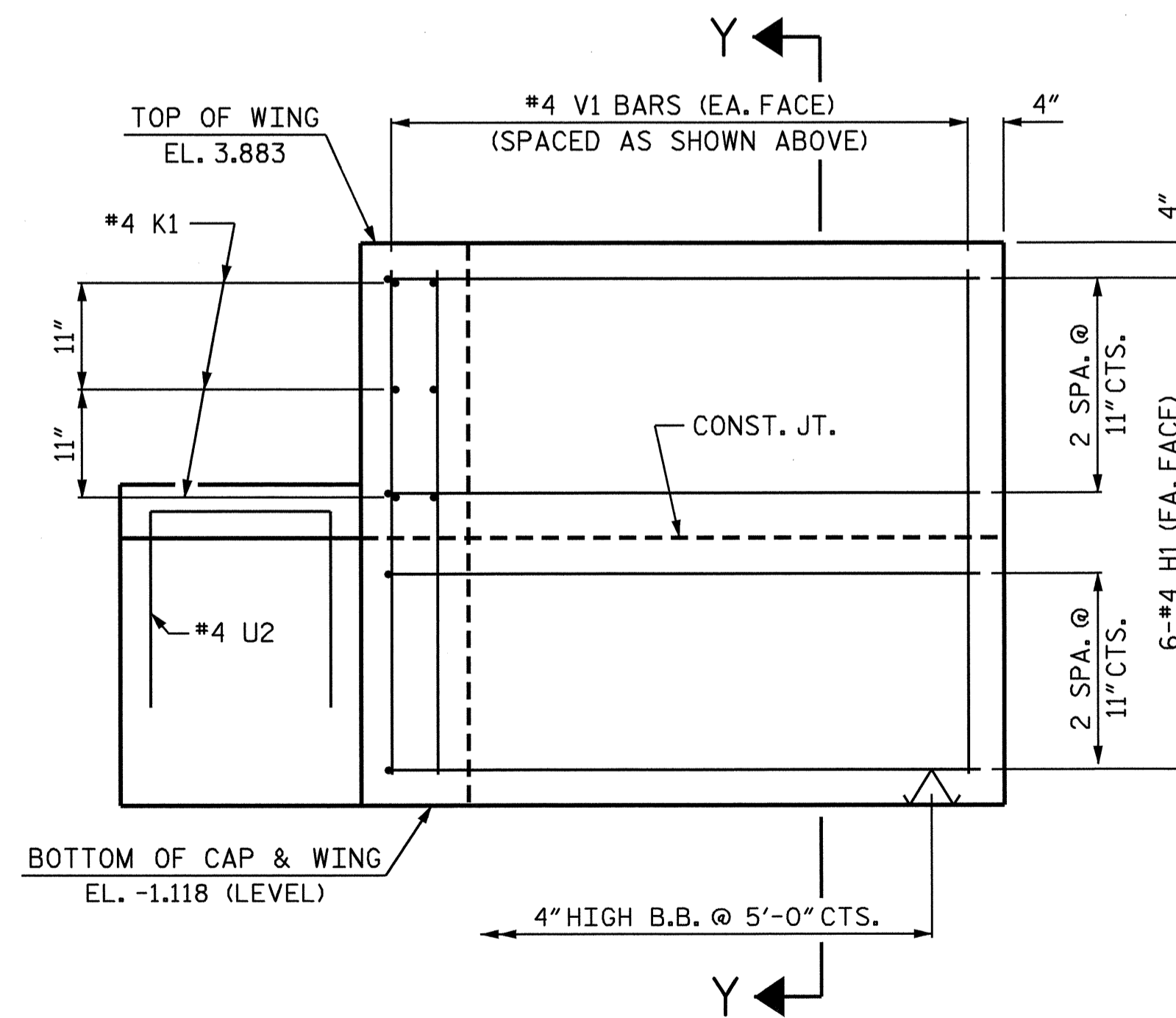
PLAN OF WING (W1)
(STAGE 2)



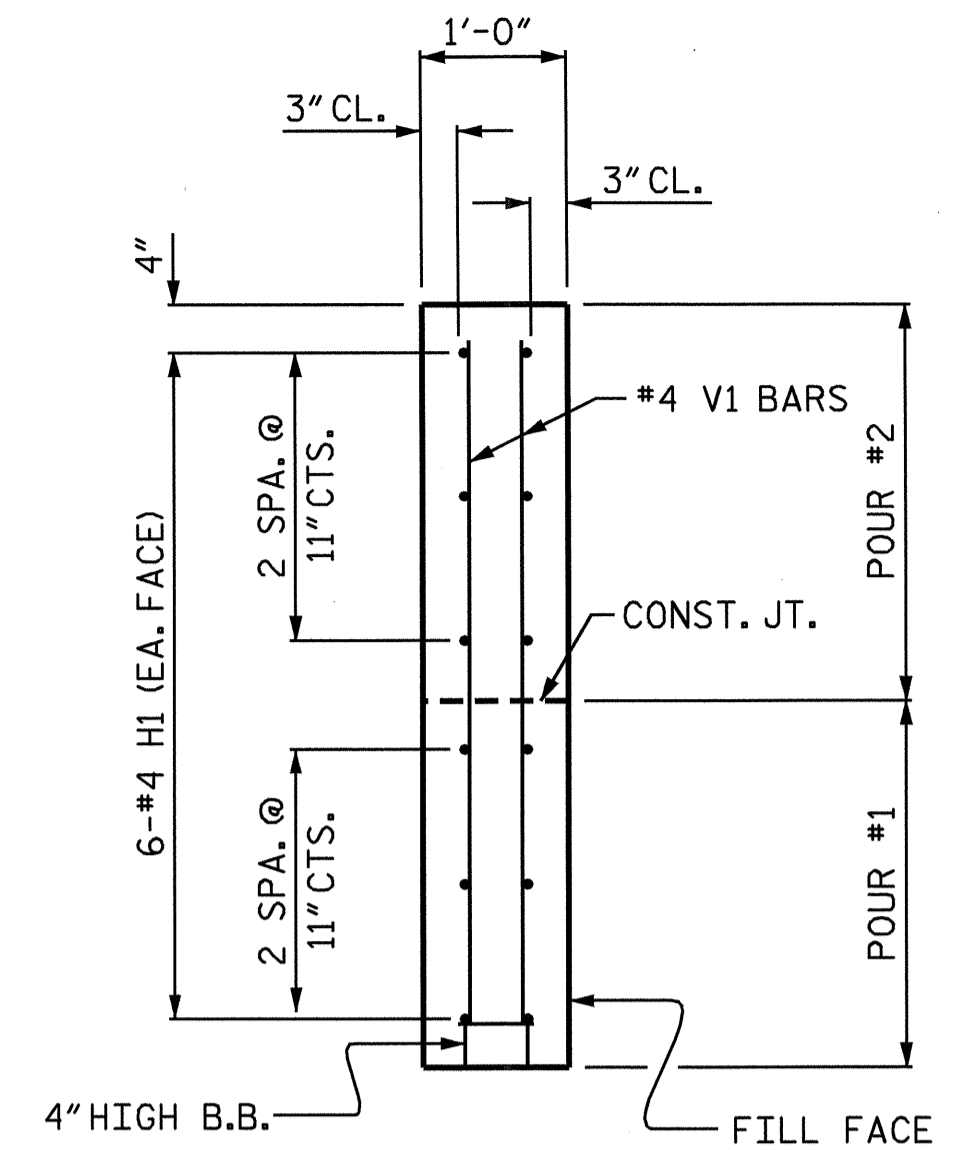
PLAN OF WING (W2)
(STAGE 1)



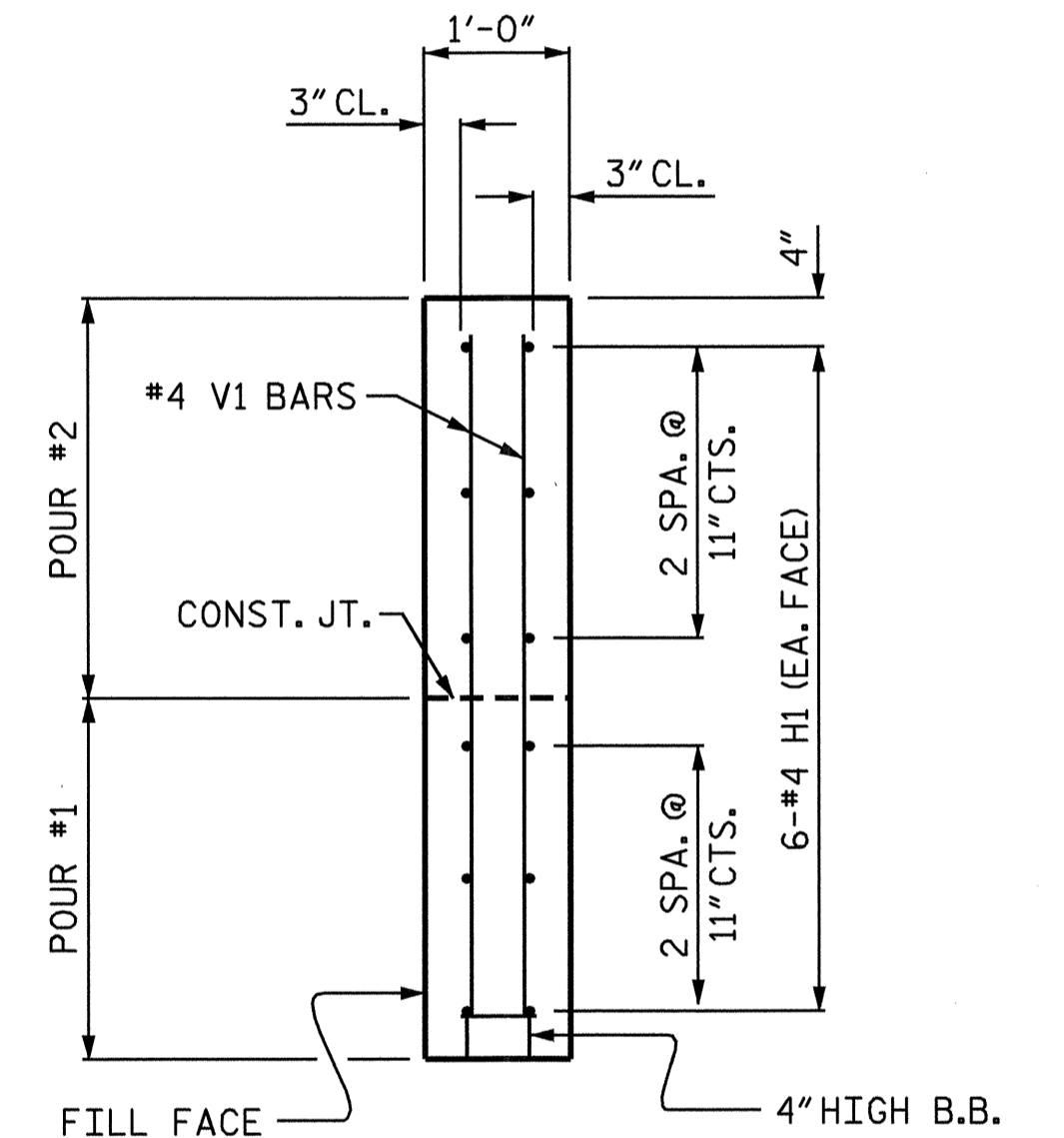
ELEVATION OF WING (W1)
(STAGE 2)



ELEVATION OF WING (W2)
(STAGE 1)



SECTION Y-Y



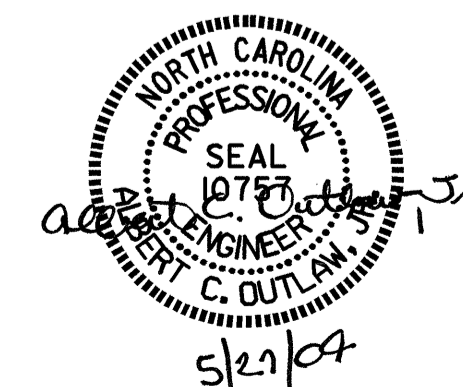
SECTION X-X

PROJECT NO. B-3348
HYDE COUNTY
STATION: 22+85.00 -L-

SHEET 3 OF 4

STATE OF NORTH CAROLINA
DEPARTMENT OF TRANSPORTATION
RALEIGH

SUBSTRUCTURE
END BENT No. 2



REVISIONS						SHEET NO.	
NO.	BY:	DATE:	NO.	BY:	DATE:	S-71	
1			3			TOTAL SHEETS	76
2			4				

DRAWN BY: P.C. BREWER DATE: 2/11/04
CHECKED BY: S.B. WILLIAMS DATE: 2/24/04

27-MAY-2004 09:20
W:\squad\b3348\str2\pbrw\Microstation\B3348.sd.EB2.02.dgn
pbrw

STR.#2