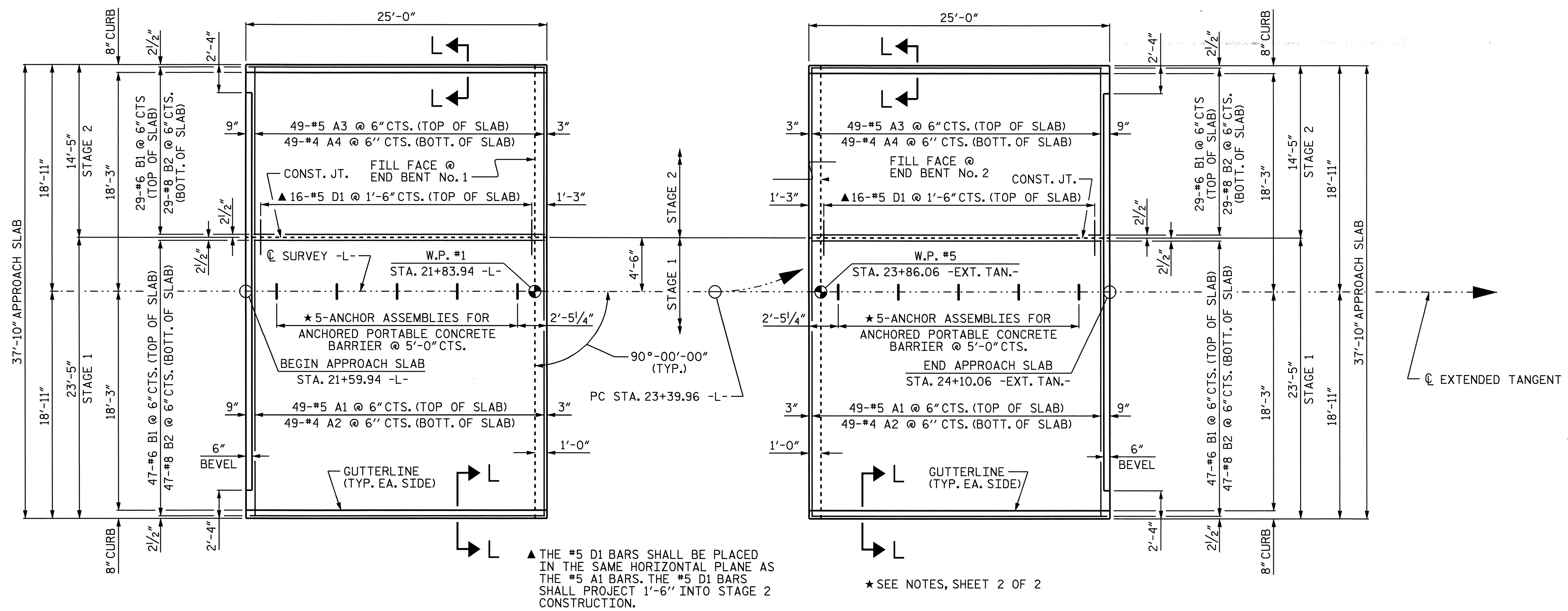
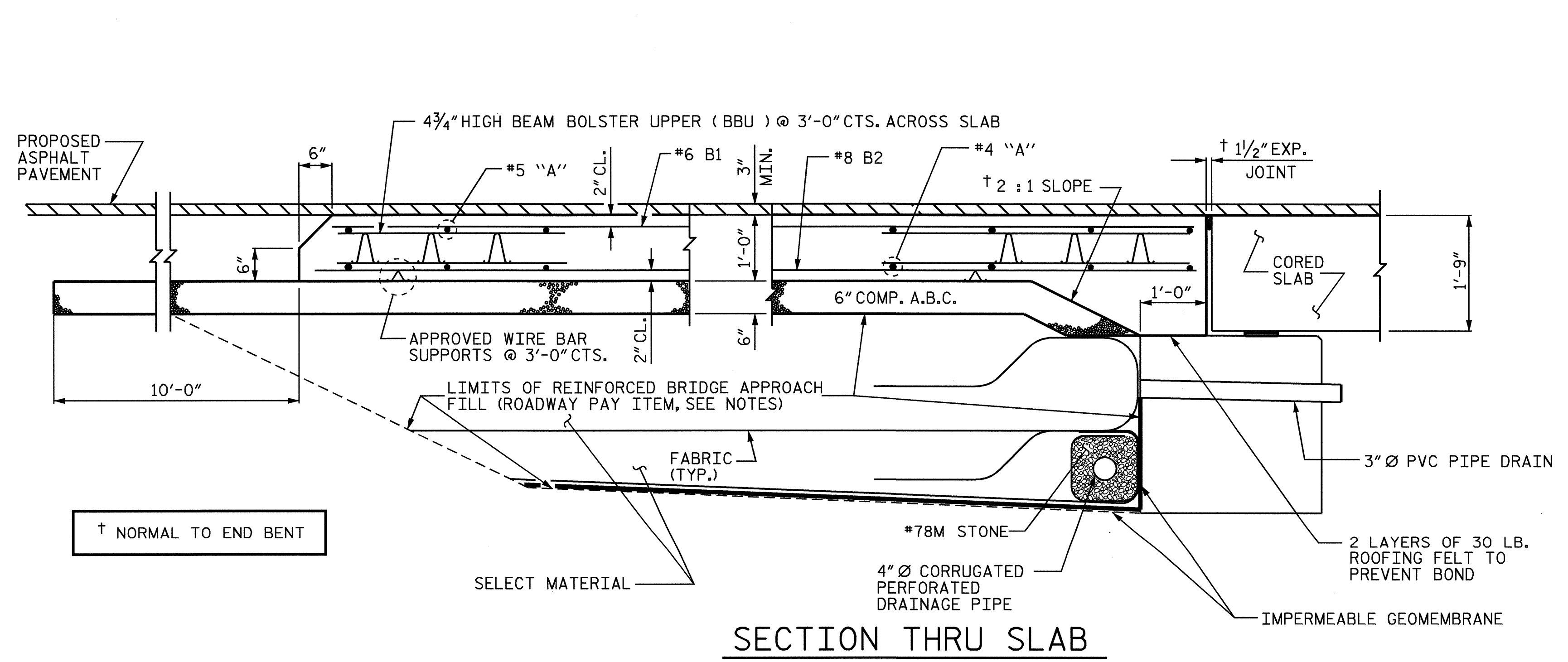


BILL OF MATERIAL					
FOR ONE APPROACH SLAB (2 REQ'D) STAGE 1					
BAR	NO.	SIZE	TYPE	LENGTH	WEIGHT
*A1	49	5	STR	23'-1"	1180
A2	49	4	STR	23'-1"	756
*B1	47	6	STR	24'-2"	1706
B2	47	8	STR	24'-8"	3095
*D1	16	5	STR	3'-0"	50
REINFORCING STEEL					3,851 LBS.
*EPOXY COATED REINFORCING STEEL					2,936 LBS.
CLASS AA CONCRETE					22.8 C.Y.
FOR ONE APPROACH SLAB (2 REQ'D) STAGE 2					
BAR	NO.	SIZE	TYPE	LENGTH	WEIGHT
*A3	49	5	STR	14'-1"	720
A4	49	4	STR	14'-1"	461
*B1	29	6	STR	24'-2"	1053
B2	29	8	STR	24'-8"	1910
REINFORCING STEEL					2,371 LBS.
*EPOXY COATED REINFORCING STEEL					1,773 LBS.
CLASS AA CONCRETE					14.1 C.Y.

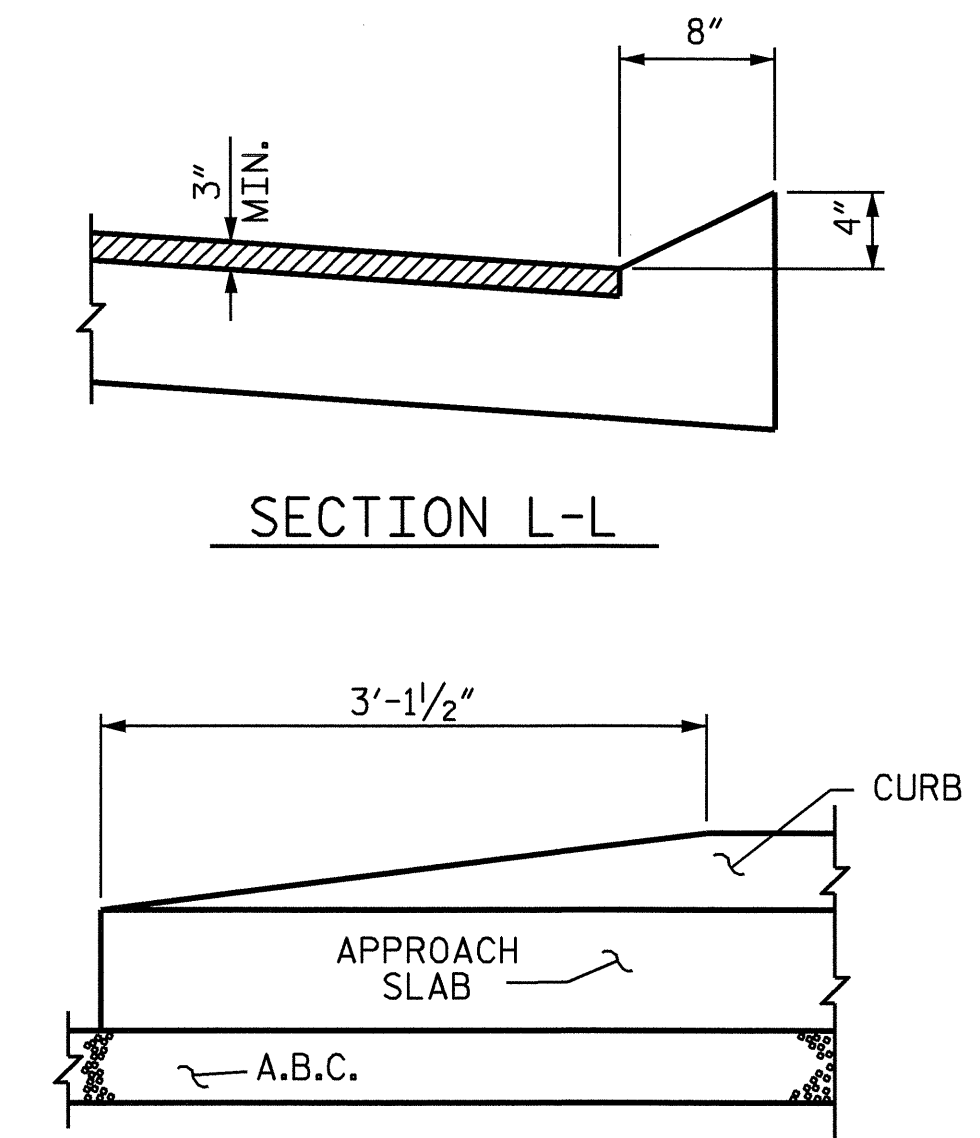


PLAN AT END BENT No. 1

PLAN AT END BENT No. 2



SECTION THRU SLAB



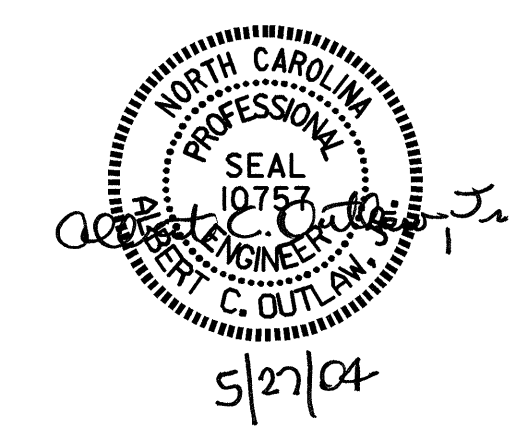
SECTION L-L

END OF CURB WITHOUT SHOULDER BERM GUTTER

CURB DETAILS

PROJECT NO. B-3348  
HYDE COUNTY  
 STATION: 22+85.00 -L-

SHEET 1 OF 2  
 STATE OF NORTH CAROLINA  
 DEPARTMENT OF TRANSPORTATION  
 RALEIGH  
 STANDARD  
 BRIDGE APPROACH SLAB  
 FOR PRESTRESSED CONCRETE  
 CORED SLAB



DRAWN BY : P.C. BREWER DATE : 2/16/04  
 CHECKED BY : S.B. WILLIAMS DATE : 4/14/04

REVISIONS					SHEET NO.
NO.	BY:	DATE:	NO.	DATE:	S-75
1			3		TOTAL SHEETS
2			4		76