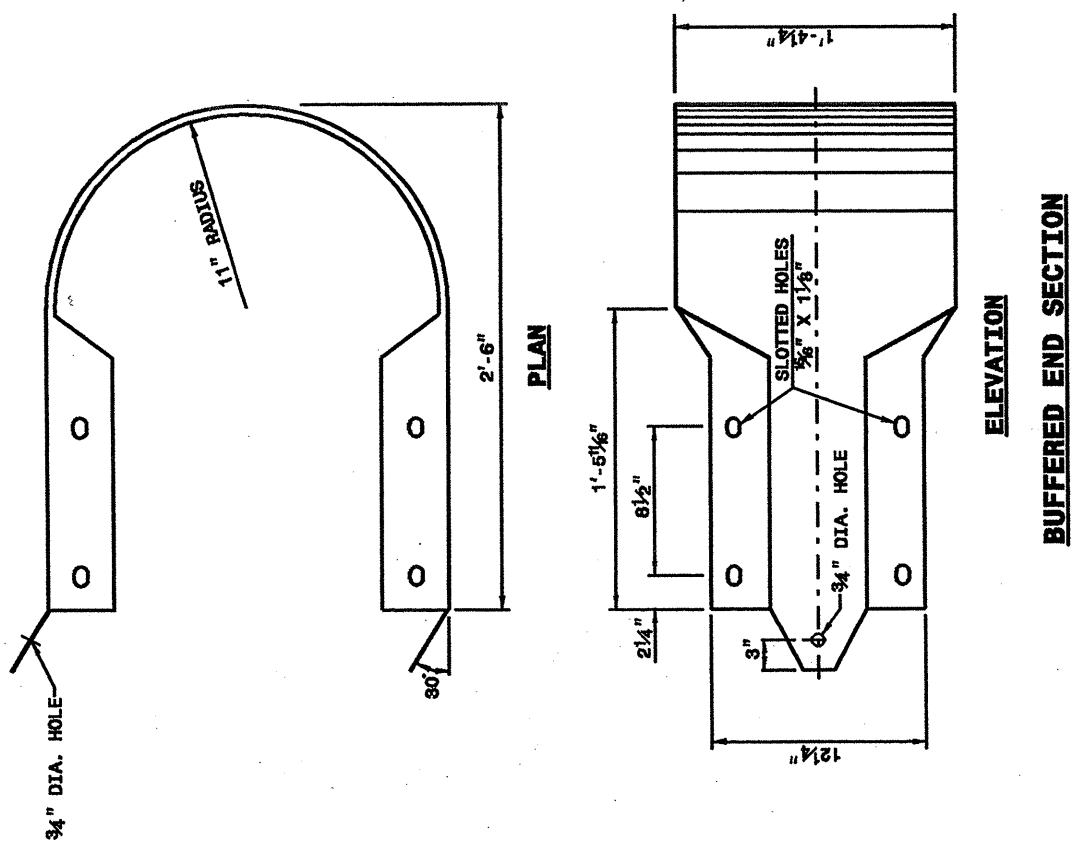


STATE OF NORTH CAROLINA  
 DEPT. OF TRANSPORTATION  
 DIVISION OF HIGHWAYS  
 RALEIGH, N.C.

ENGLISH DETAIL DRAWING FOR  
**GUARDRAIL INSTALLATION**

SHEET 7 OF 7  
**862D02**



STATE OF NORTH CAROLINA  
 DEPT. OF TRANSPORTATION  
 DIVISION OF HIGHWAYS  
 RALEIGH, N.C.

ENGLISH DETAIL DRAWING FOR  
**GUARDRAIL INSTALLATION**

SHEET 7 OF 7  
**862D02**

**DESIGN SERVICES UNIT  
 STANDARDS AND SPECIAL DESIGN**  
 Office 919-250-4128 FAX 919-250-4119

**SEE PLATE FOR TITLE**

ORIGINAL BY: 2002 STD. 862-02 DATE: \_\_\_\_\_  
 MODIFIED BY: E.E. WARD DATE: 02-09-09  
 CHECKED BY: [Signature] DATE: 7-09  
 FILE SPEC.: [Path]

30 JUN 2003 10:35  
 C:\Special Details\stds\02\stds to Special Details\english\86202\0862d02.dgn  
 At 05212286  
 5/14/99