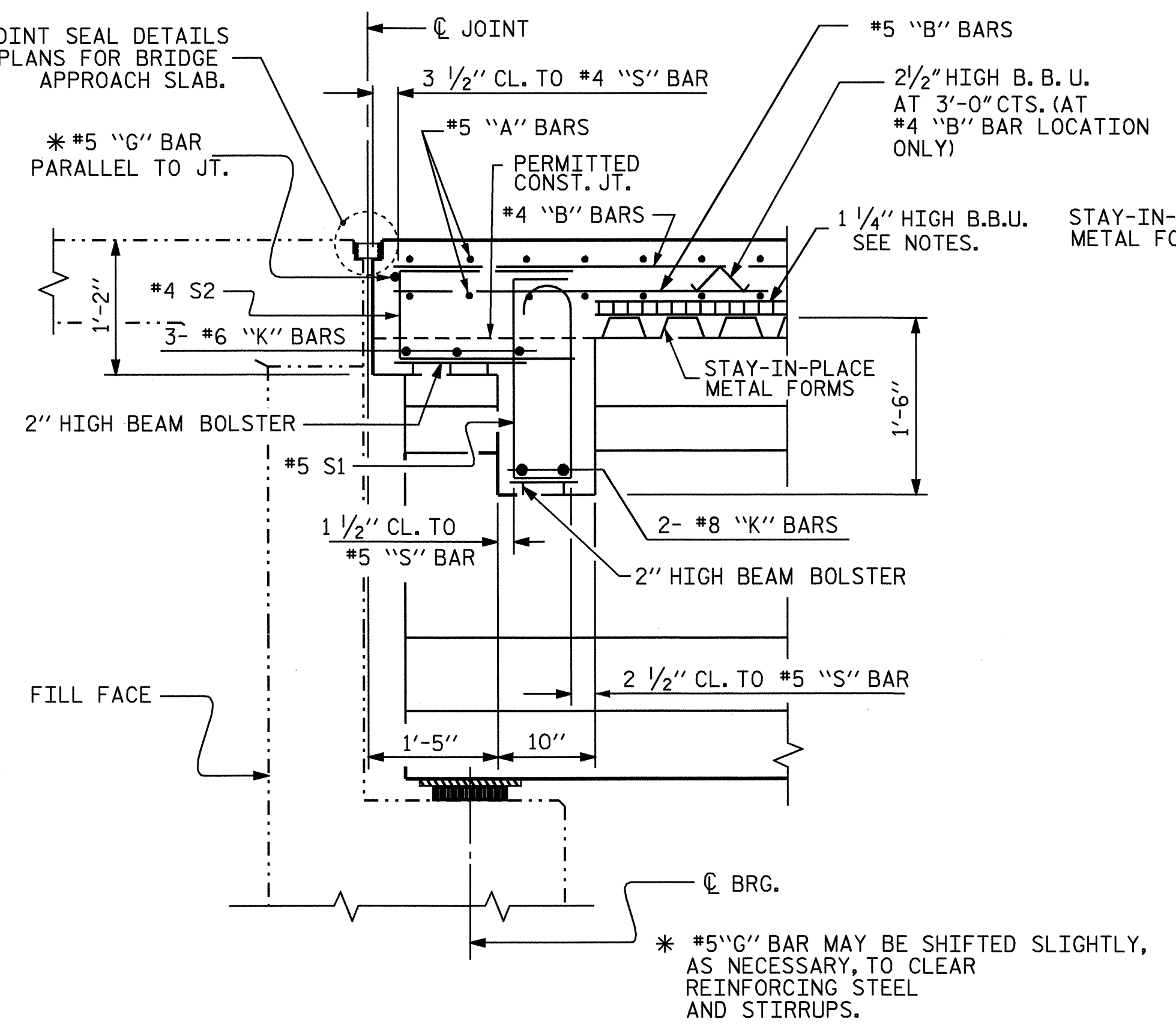
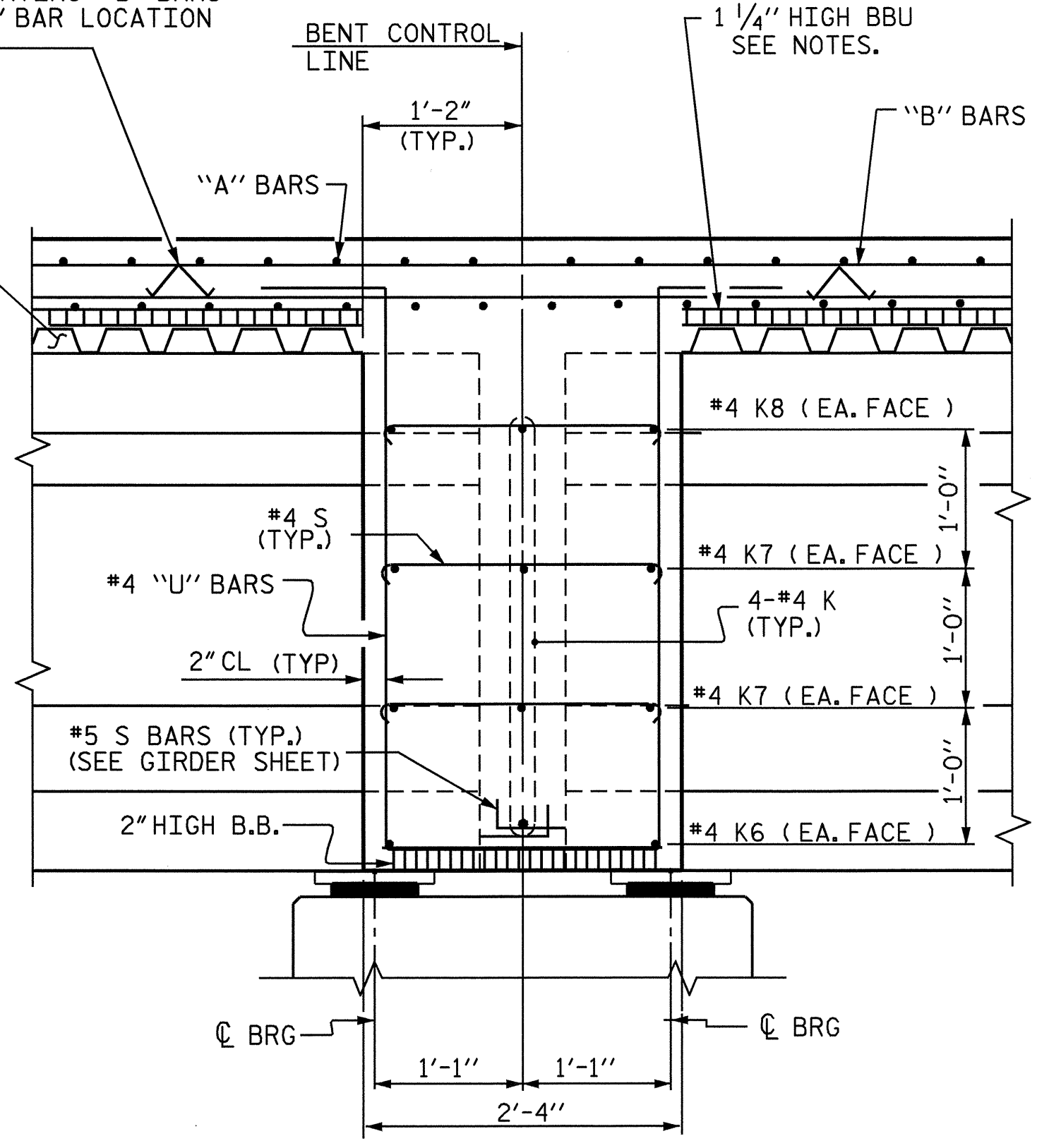


FOR EVAZOTE JOINT SEAL DETAILS AT END BENT, SEE PLANS FOR BRIDGE APPROACH SLAB.

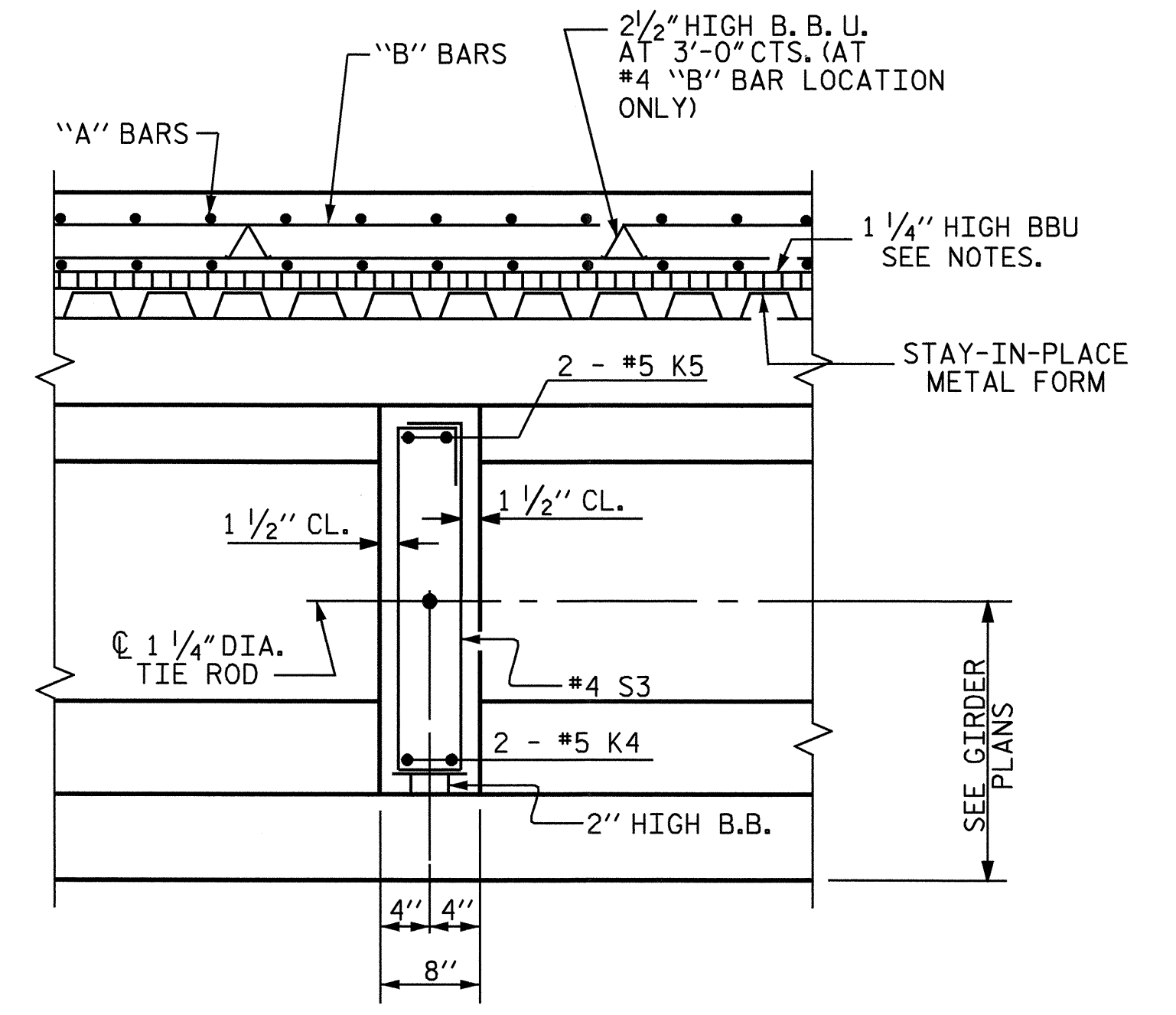


SECTION THRU END BENT
(NORMAL TO SKEW)

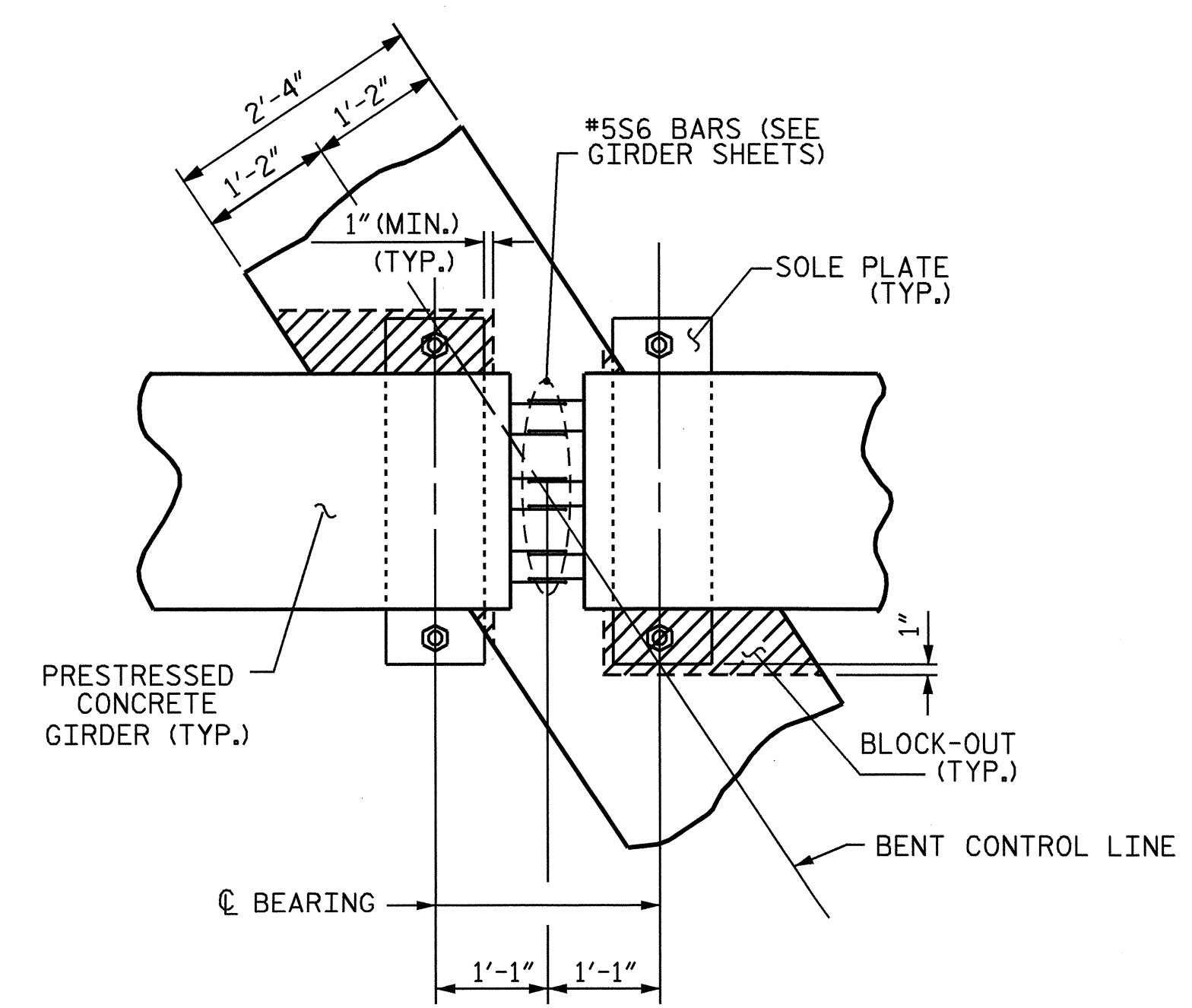
2 1/4" HIGH B.B.U. @ 3'-0" CTS. SUPPORTING 'B' BARS (AT #7 'B' BAR LOCATION ONLY)



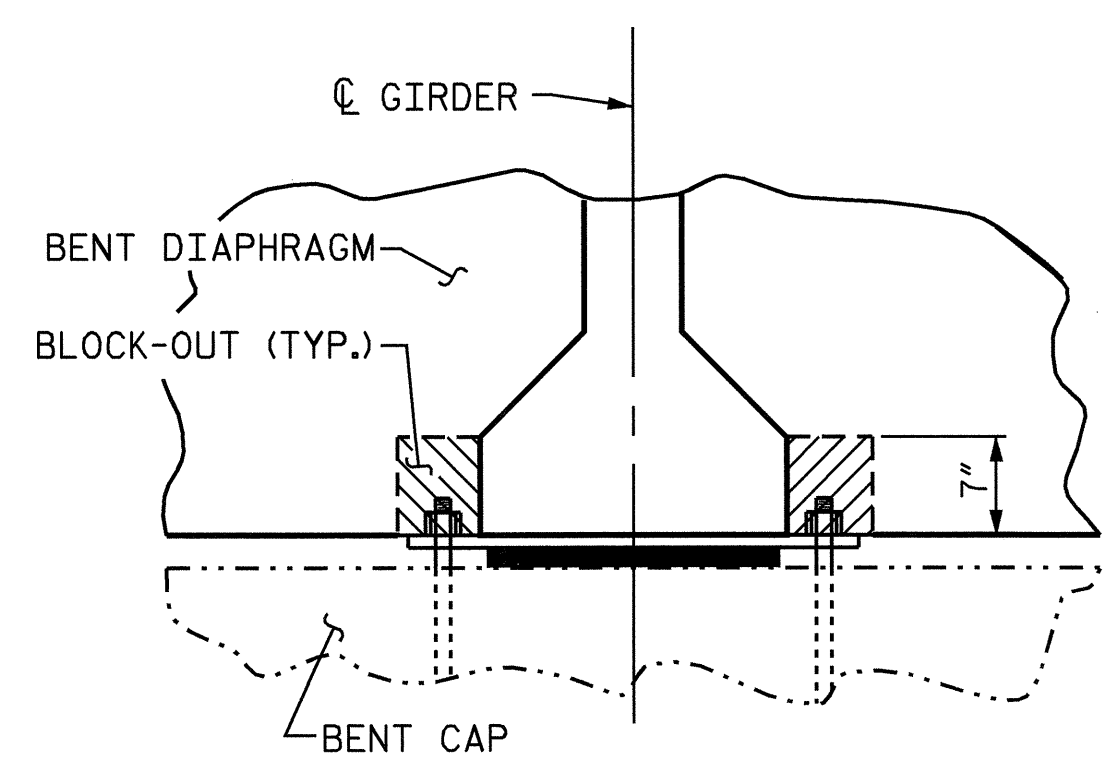
SECTION THRU BENT DIAPHRAGM
(NORMAL TO SKEW)



SECTION THRU INTERMEDIATE DIAPHRAGM



BENT DIAPHRAGM BLOCK-OUT DETAIL



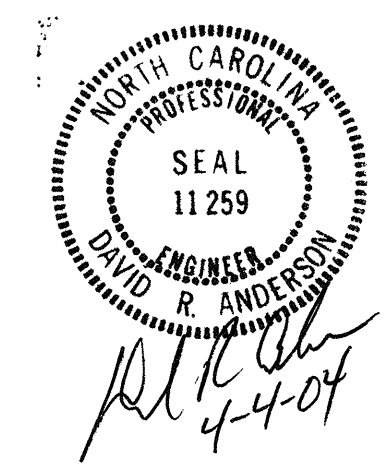
SECTION

PROJECT NO. B-3649
GUILFORD COUNTY
STATION: 17+39.20 -L-

SHEET 2 OF 2

STATE OF NORTH CAROLINA
DEPARTMENT OF TRANSPORTATION
RALEIGH

**SUPERSTRUCTURE
TYPICAL SECTION**



REVISIONS						SHEET NO.
NO.	BY:	DATE:	NO.	BY:	DATE:	S-6
1			3			TOTAL SHEETS
2			4			32

DRAWN BY : N. Q. TRAN DATE : 4-14-03
CHECKED BY : T. A. WALTER DATE : 9-30-03