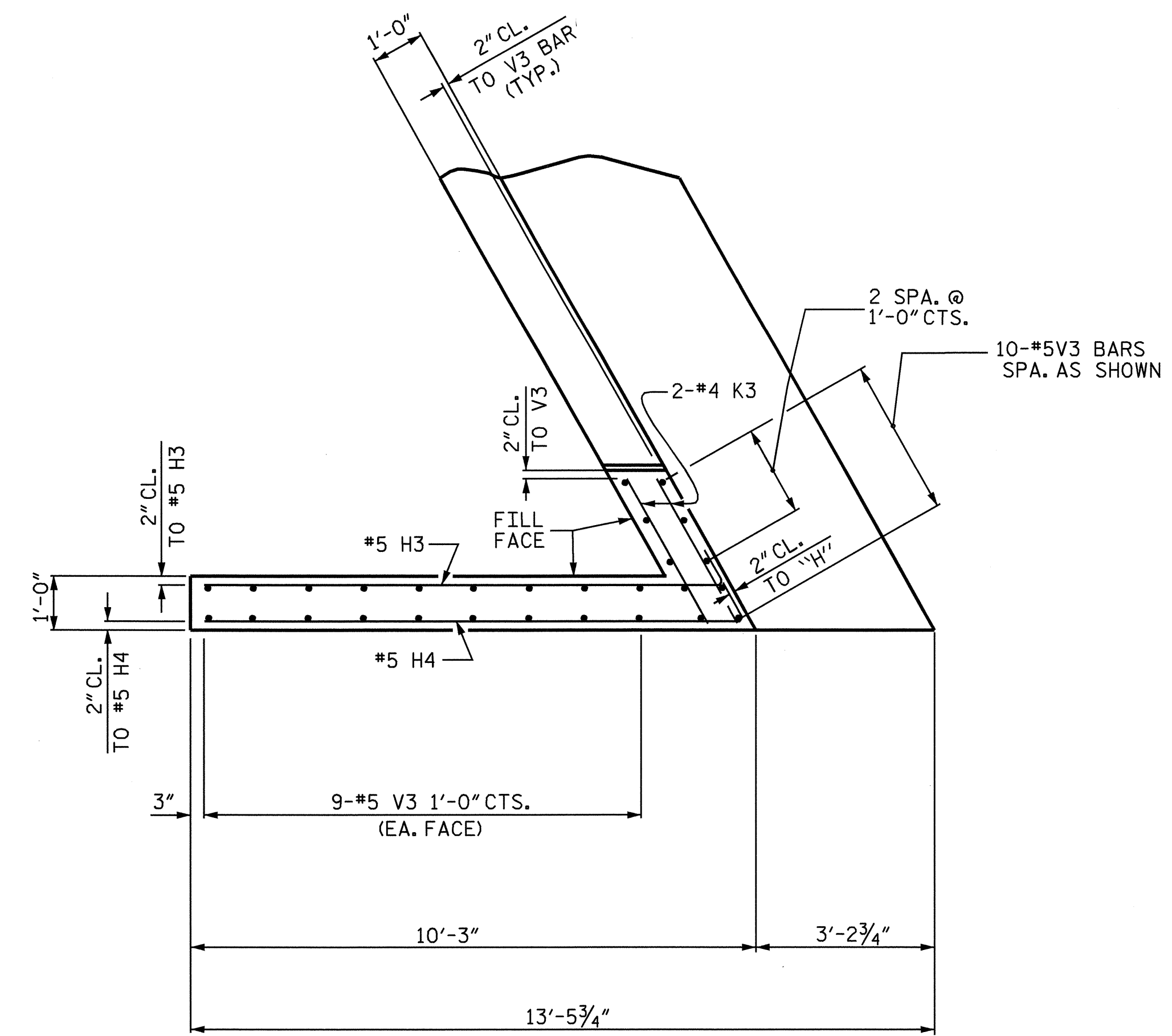
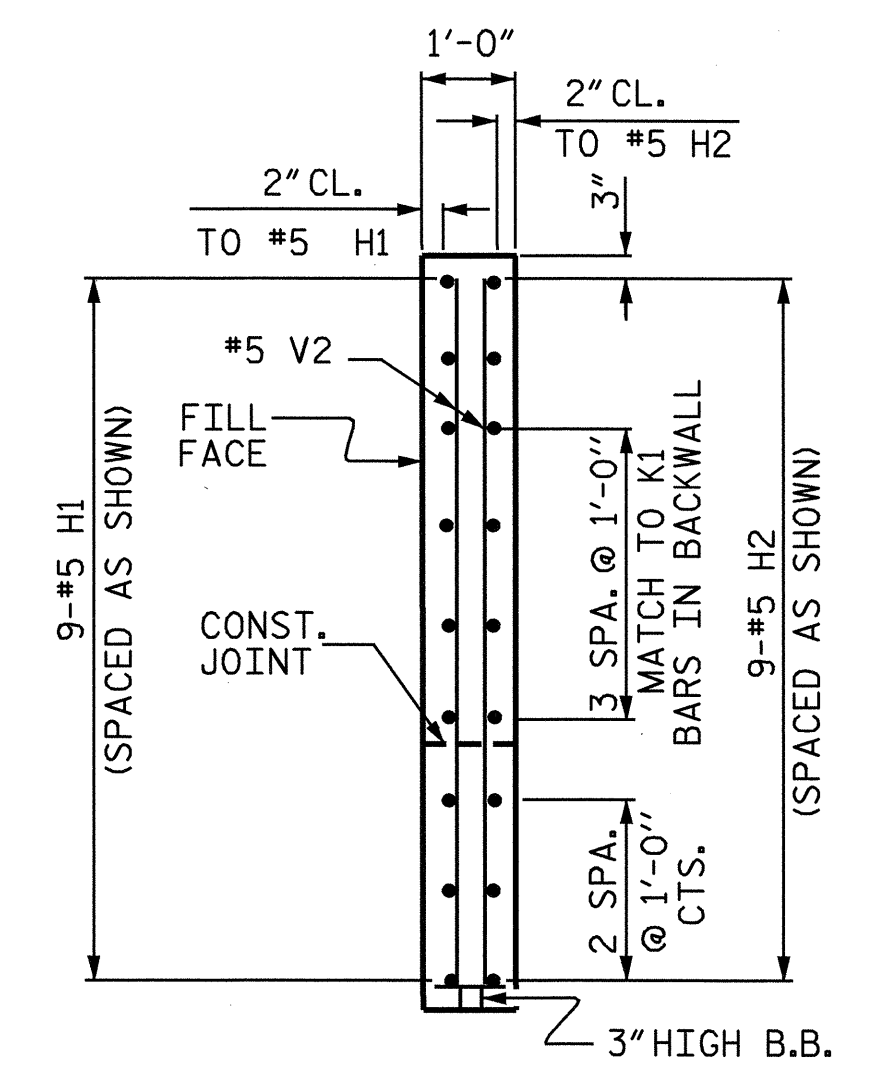


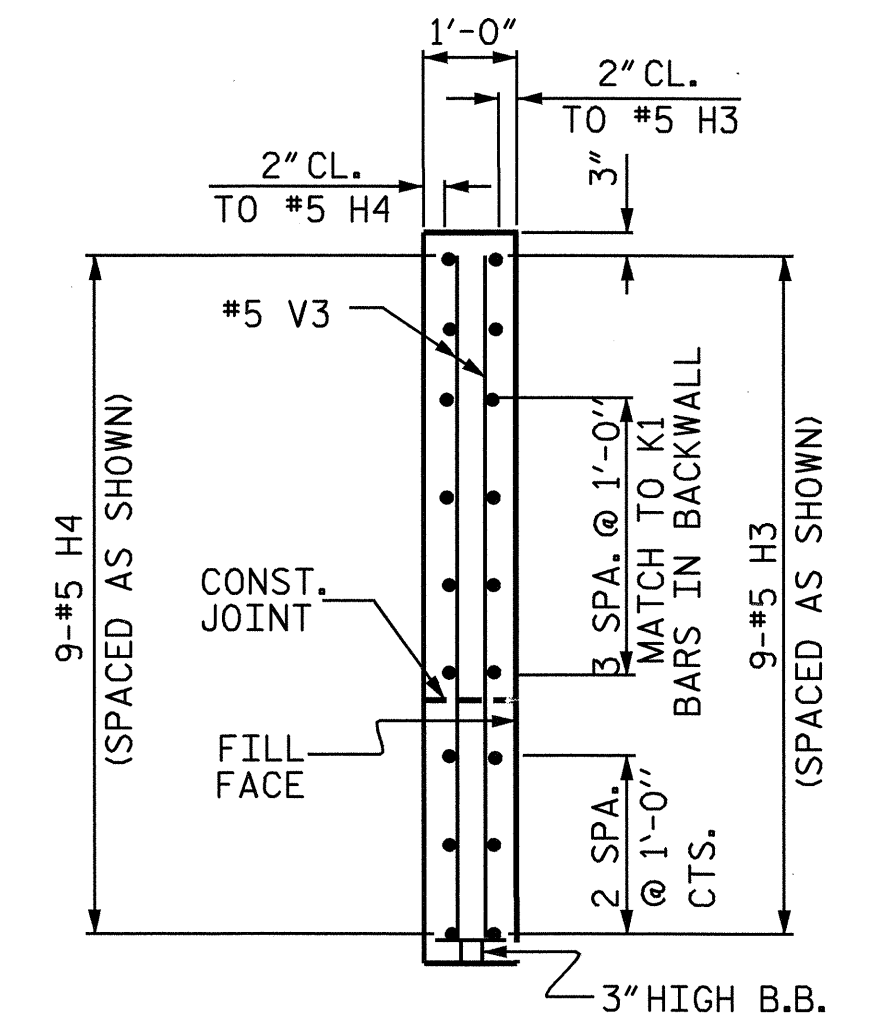
PLAN OF WING W1



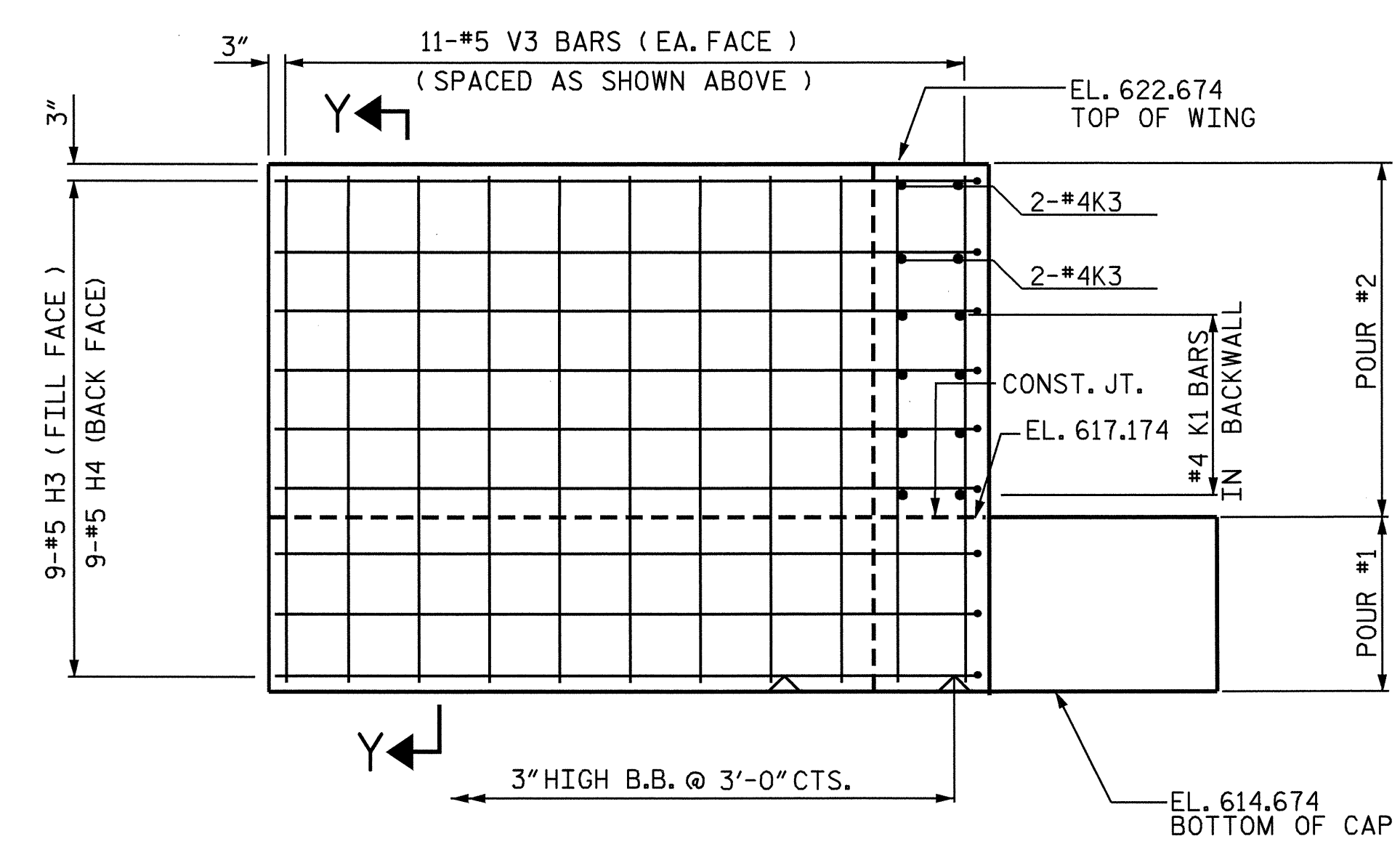
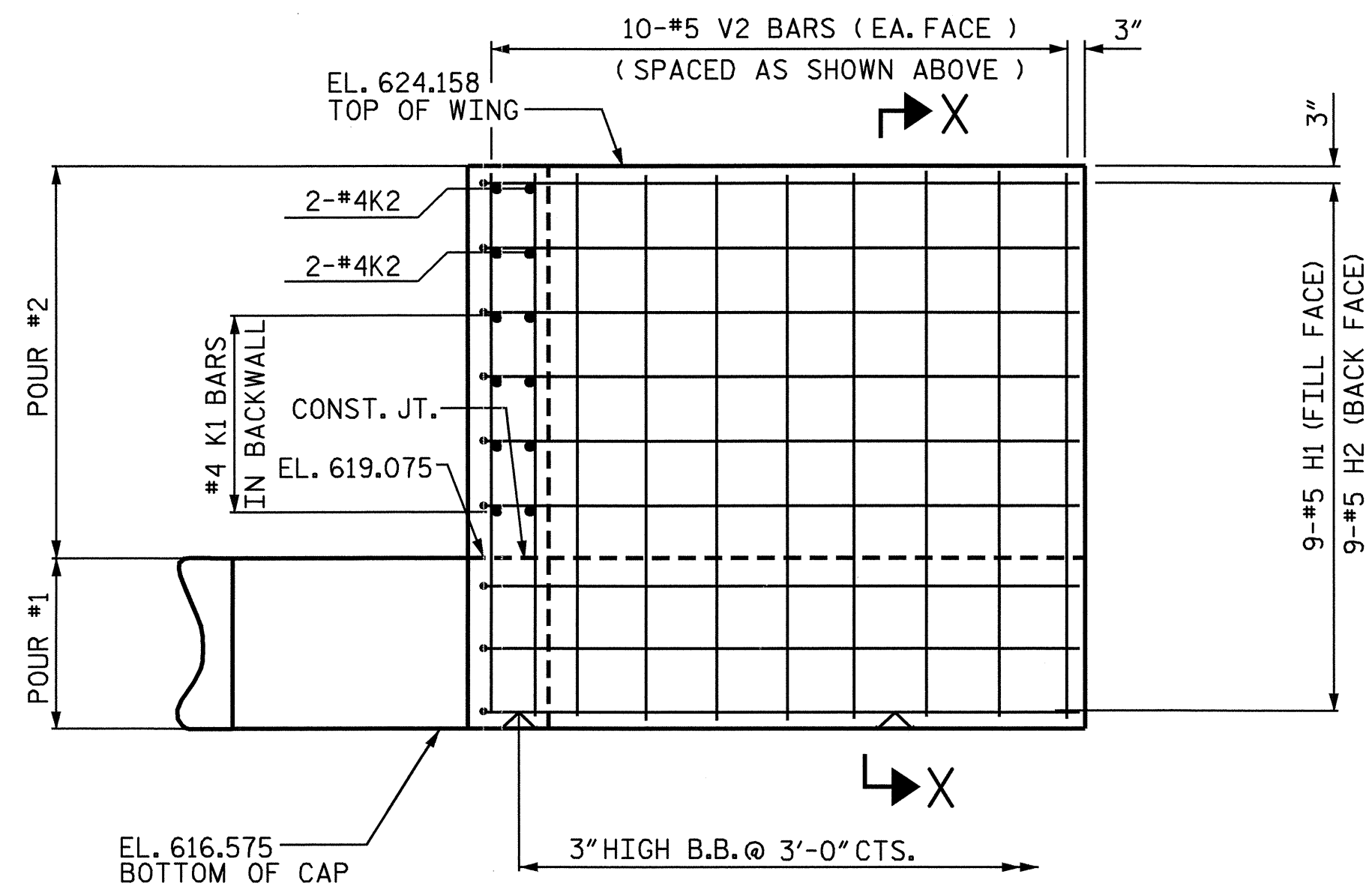
PLAN OF WING W2



SECTION X-X



SECTION Y-Y

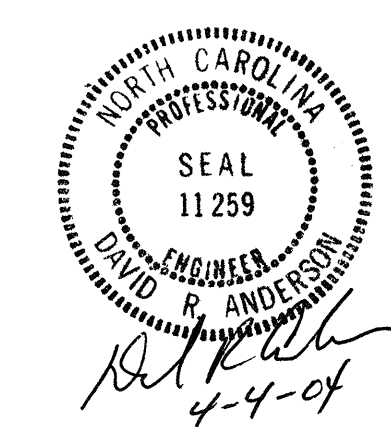


PROJECT NO. B-3649
GUILFORD COUNTY
STATION: 17+39.20 -L-

SHEET 2 OF 3

STATE OF NORTH CAROLINA
DEPARTMENT OF TRANSPORTATION
RALEIGH

SUBSTRUCTURE
END BENT 1



DRAWN BY: S. M. RASHIDI DATE: 4/29/03
CHECKED BY: M. A. ALLEN DATE: 01-04

REVISIONS						SHEET NO.
NO.	BY:	DATE:	NO.	BY:	DATE:	3-19
1			3			TOTAL SHEETS
2			4			32