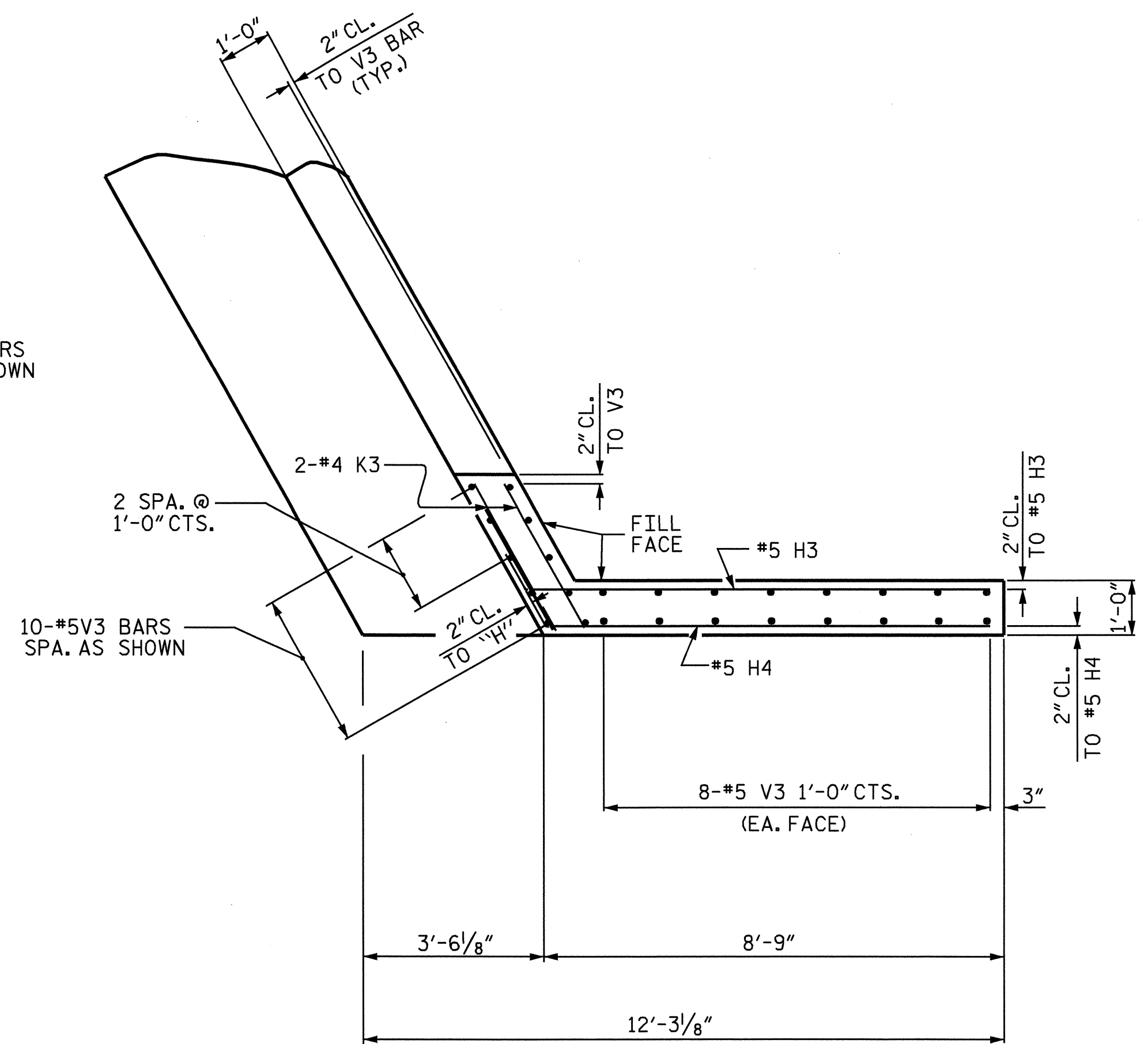
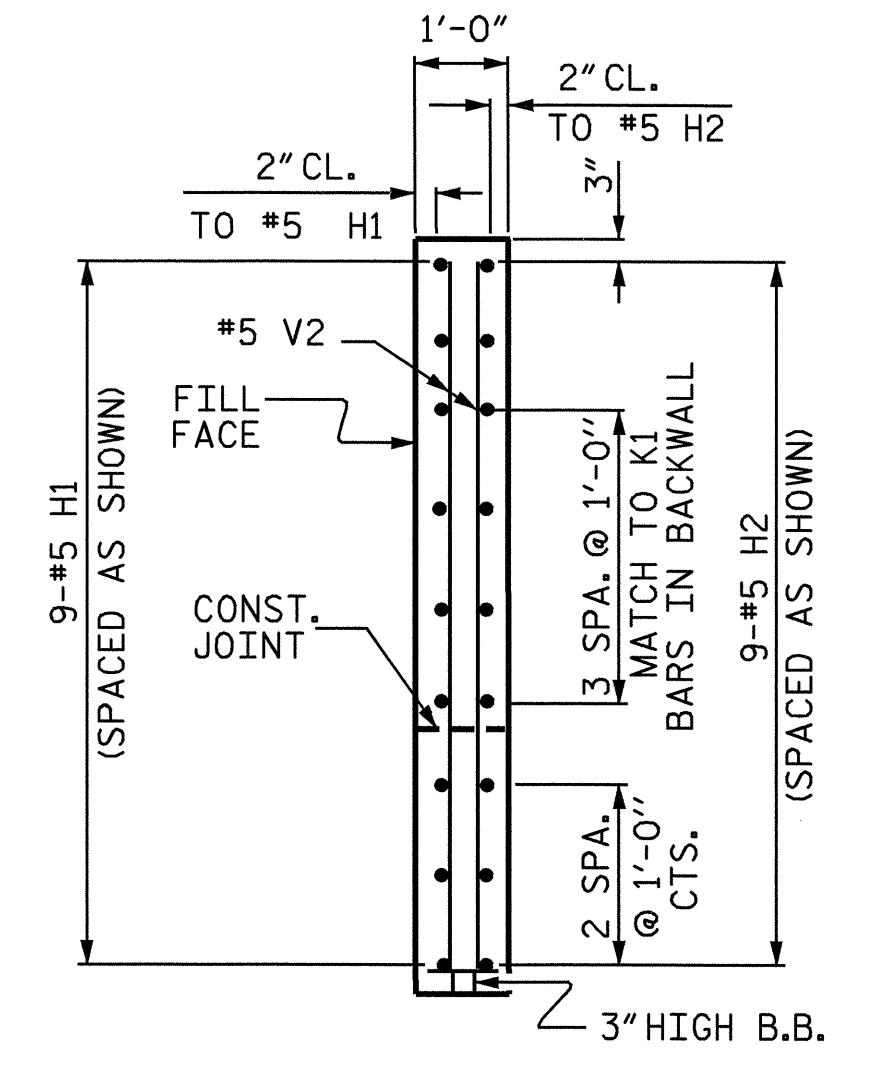


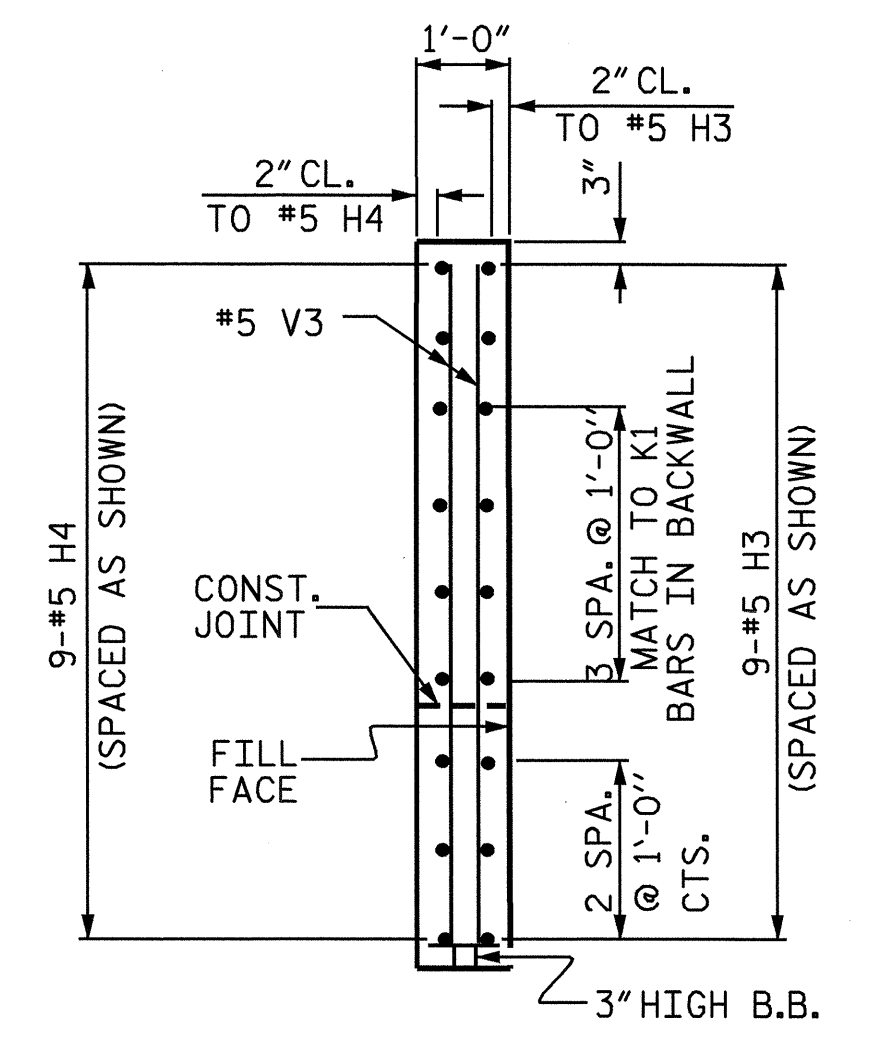
PLAN OF WING W1



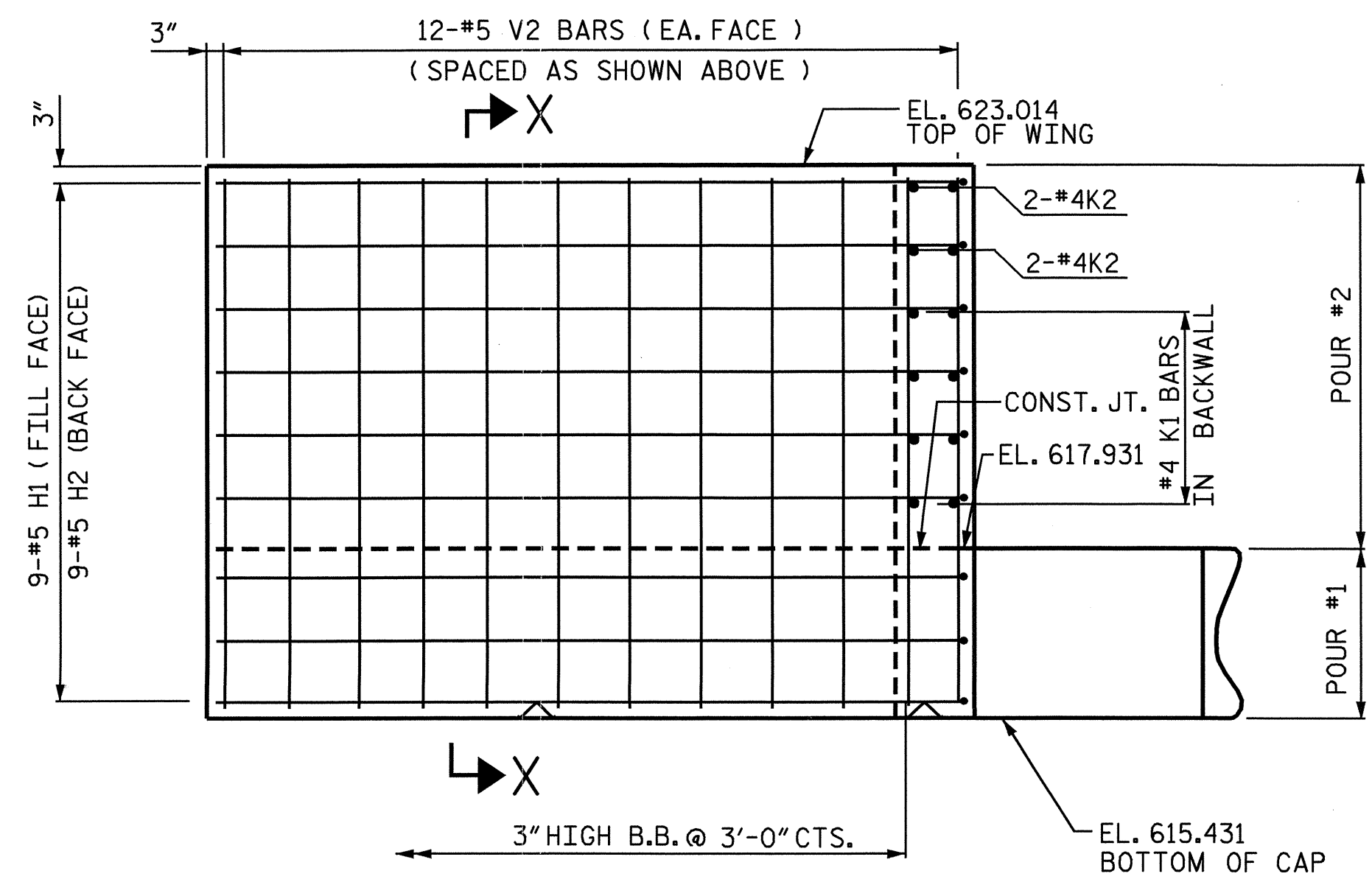
PLAN OF WING W2



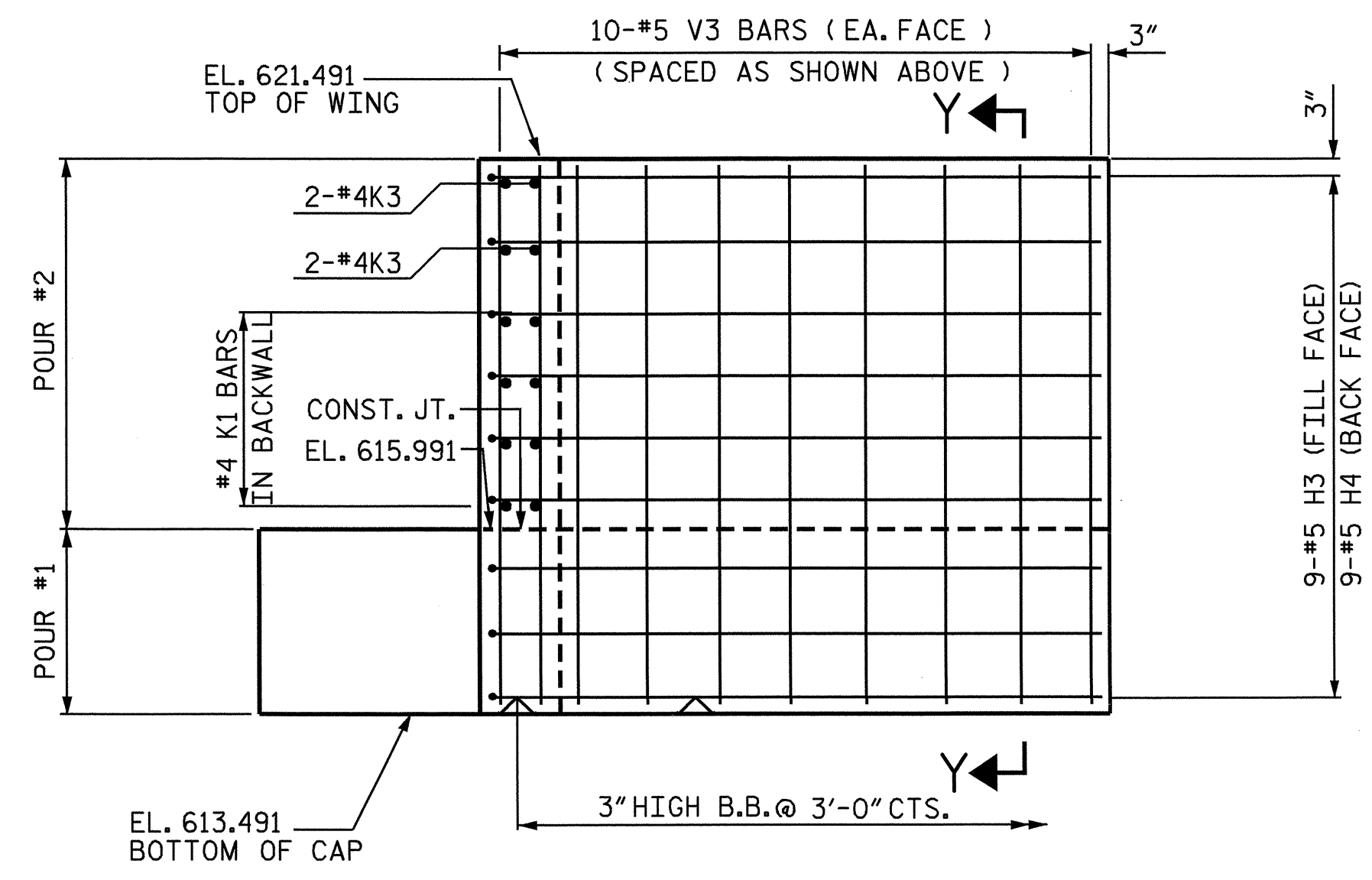
SECTION X-X



SECTION Y-Y



ELEVATION OF WING W1

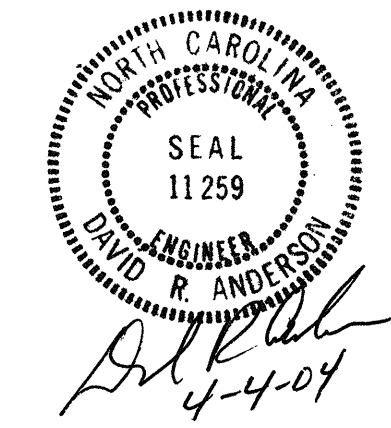


ELEVATION OF WING W2

PROJECT NO. B-3649
GUILFORD COUNTY
 STATION: 17+39.20 -L-
 SHEET 2 OF 3

STATE OF NORTH CAROLINA
 DEPARTMENT OF TRANSPORTATION
 RALEIGH

SUBSTRUCTURE
 END BENT 2



DRAWN BY: S. M. RASHIDI DATE: 4/29/03
 CHECKED BY: M. A. ALLEN DATE: 01-04

REVISIONS						SHEET NO.
NO.	BY:	DATE:	NO.	BY:	DATE:	TOTAL SHEETS
1			3			32
2			4			