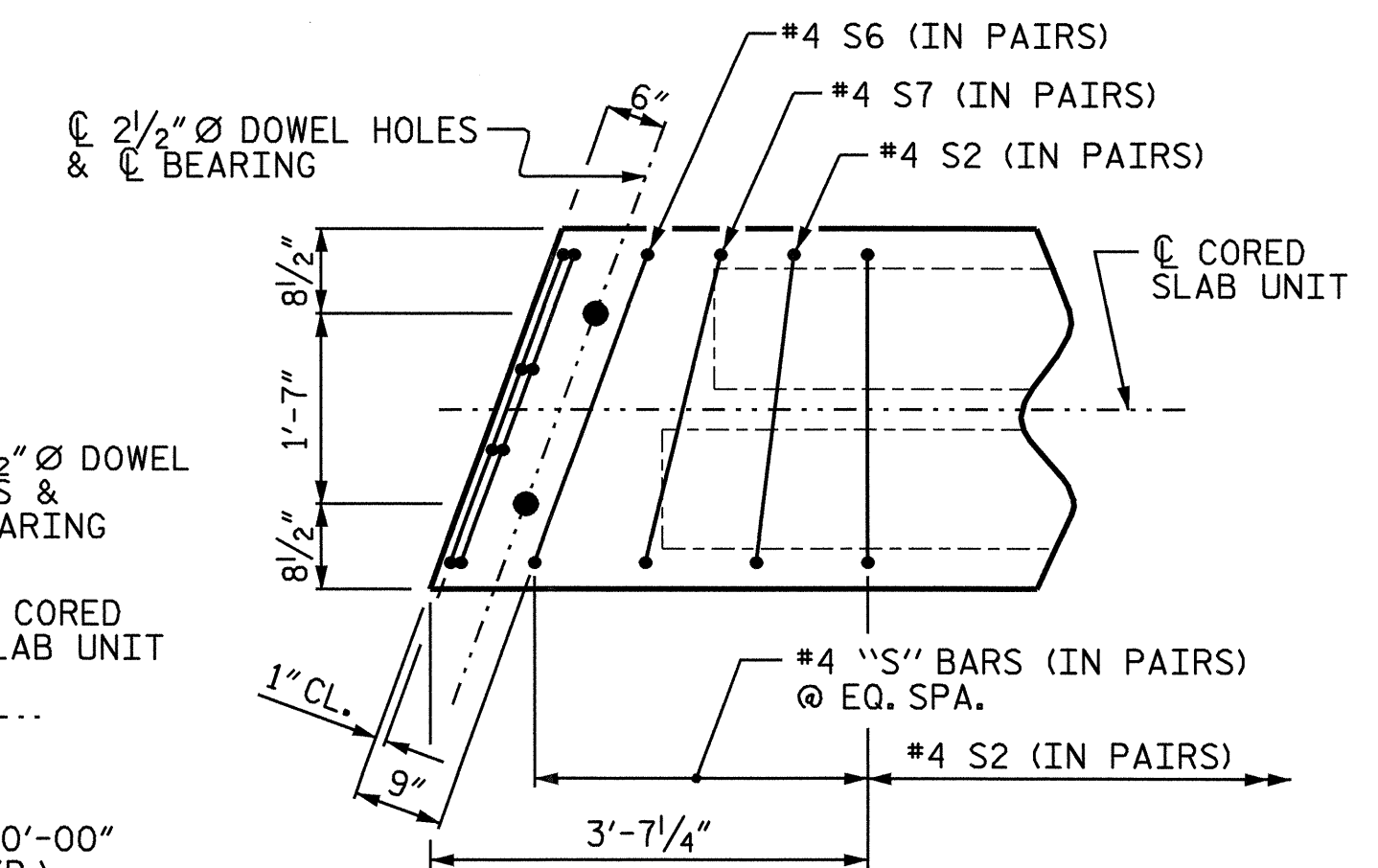
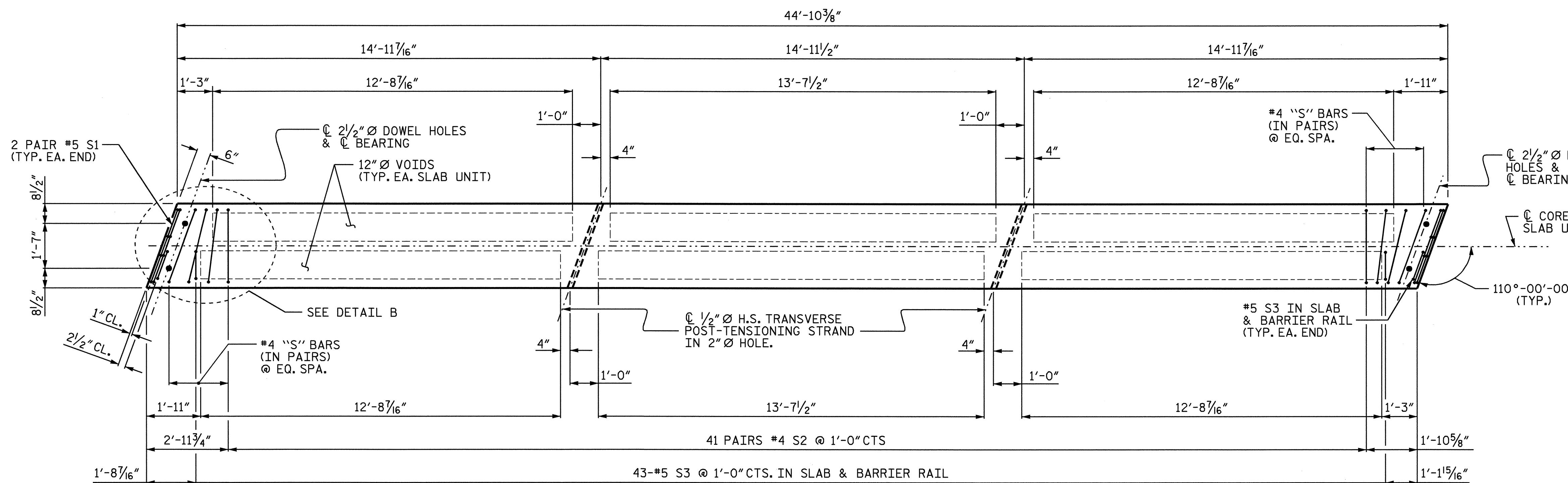


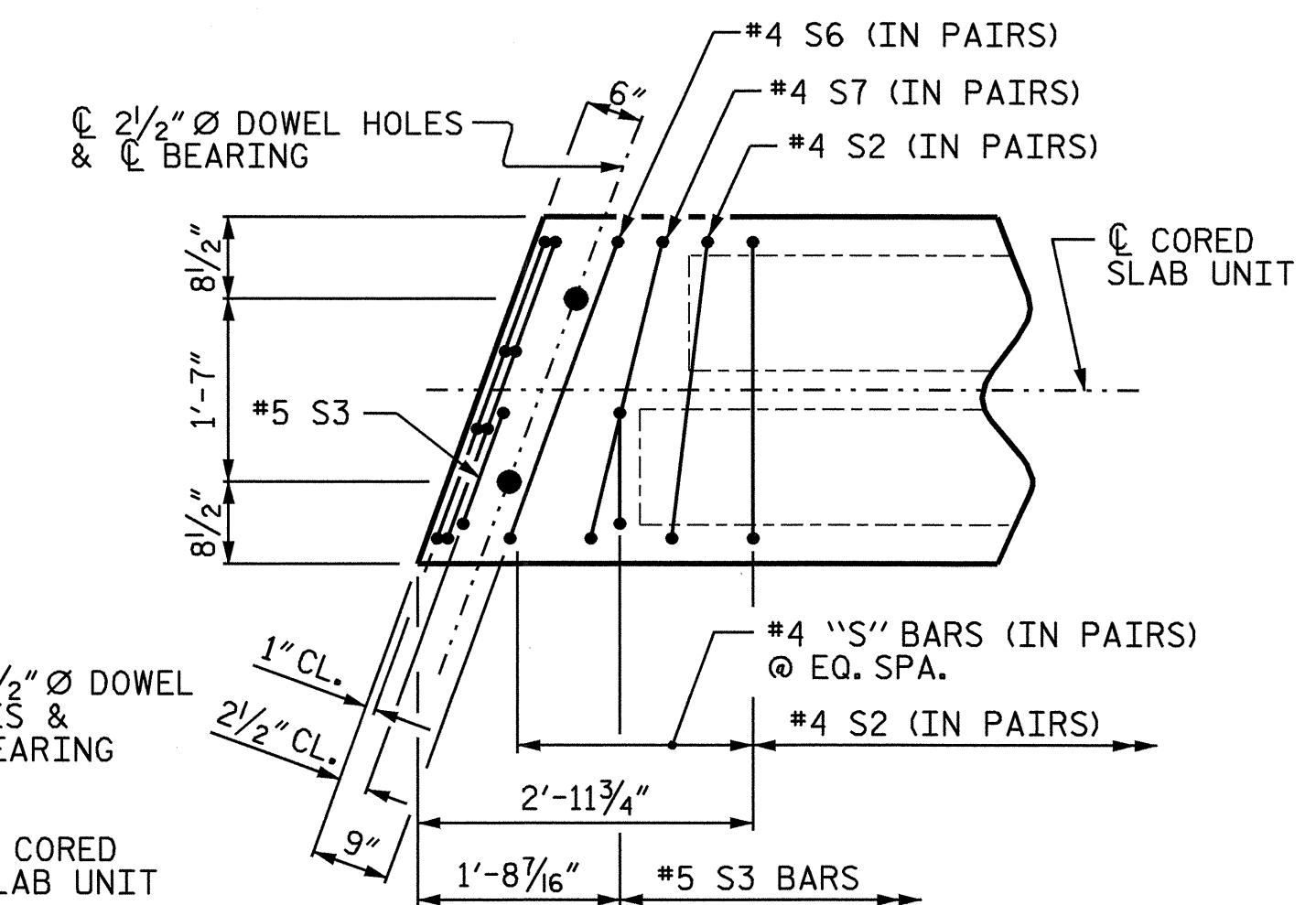
PLAN OF INTERIOR CORED SLAB UNIT



DETAIL A



PLAN OF EXTERIOR CORED SLAB UNIT



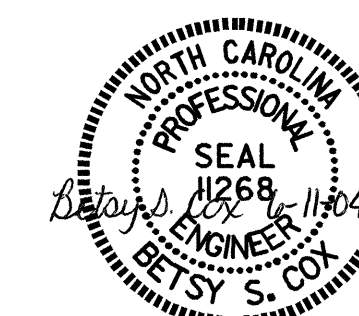
DETAIL B

PROJECT NO. B-3646
 GUILFORD COUNTY
 STATION: 16+44.43 -L-

SHEET 5 OF 7

STATE OF NORTH CAROLINA
 DEPARTMENT OF TRANSPORTATION
 RALEIGH

PLAN OF
 3'-0" x 1'-9"
 CORED SLAB UNIT
 SPAN "A" & SPAN "B"



DRAWN BY: P.C. BREWER DATE: 9/3/03
 CHECKED BY: S.B. WILLIAMS DATE: 9/11/03

09-JUN-2004 14:07
 w:\squad\b3646\pbrewer\Microstation\B3646.sd_CS.01.dgn
 pbrewer

REVISIONS						SHEET NO.
NO.	BY:	DATE:	NO.	BY:	DATE:	S-8
1			3			TOTAL SHEETS
2			4			28