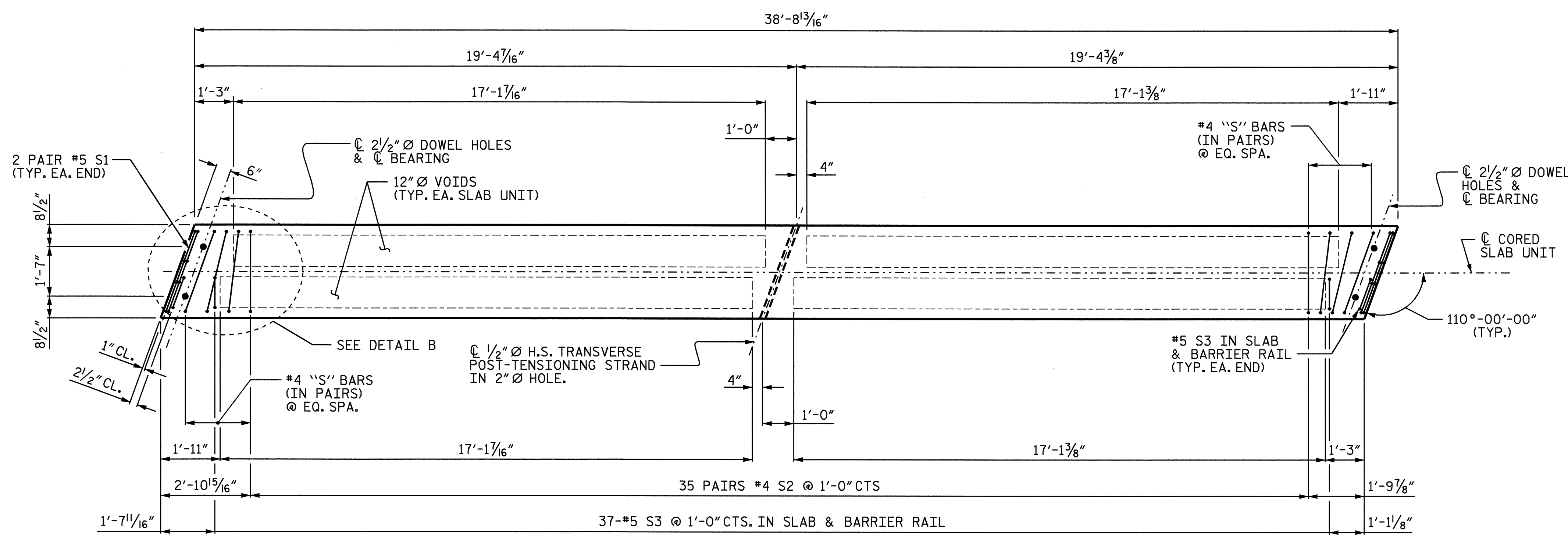
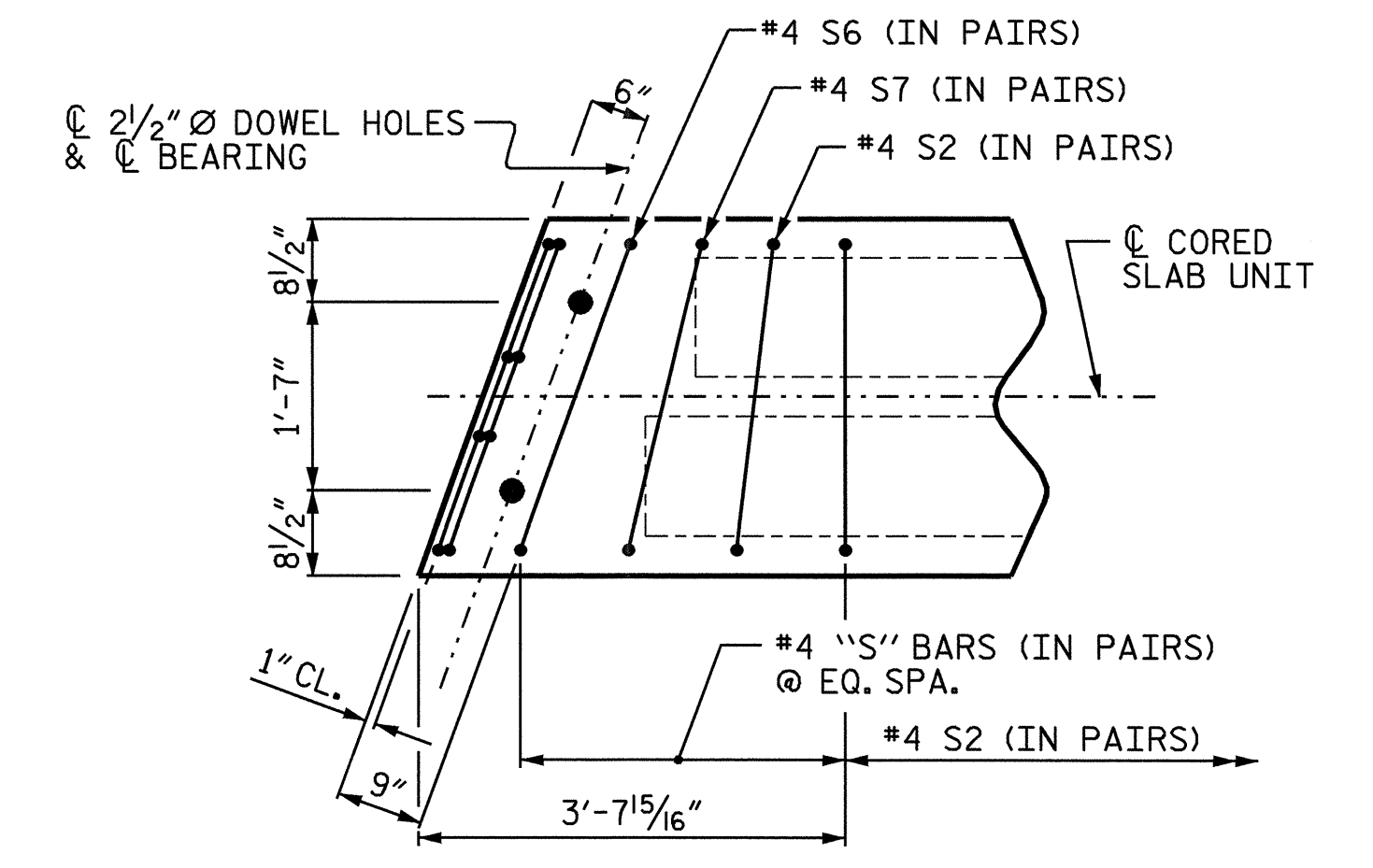


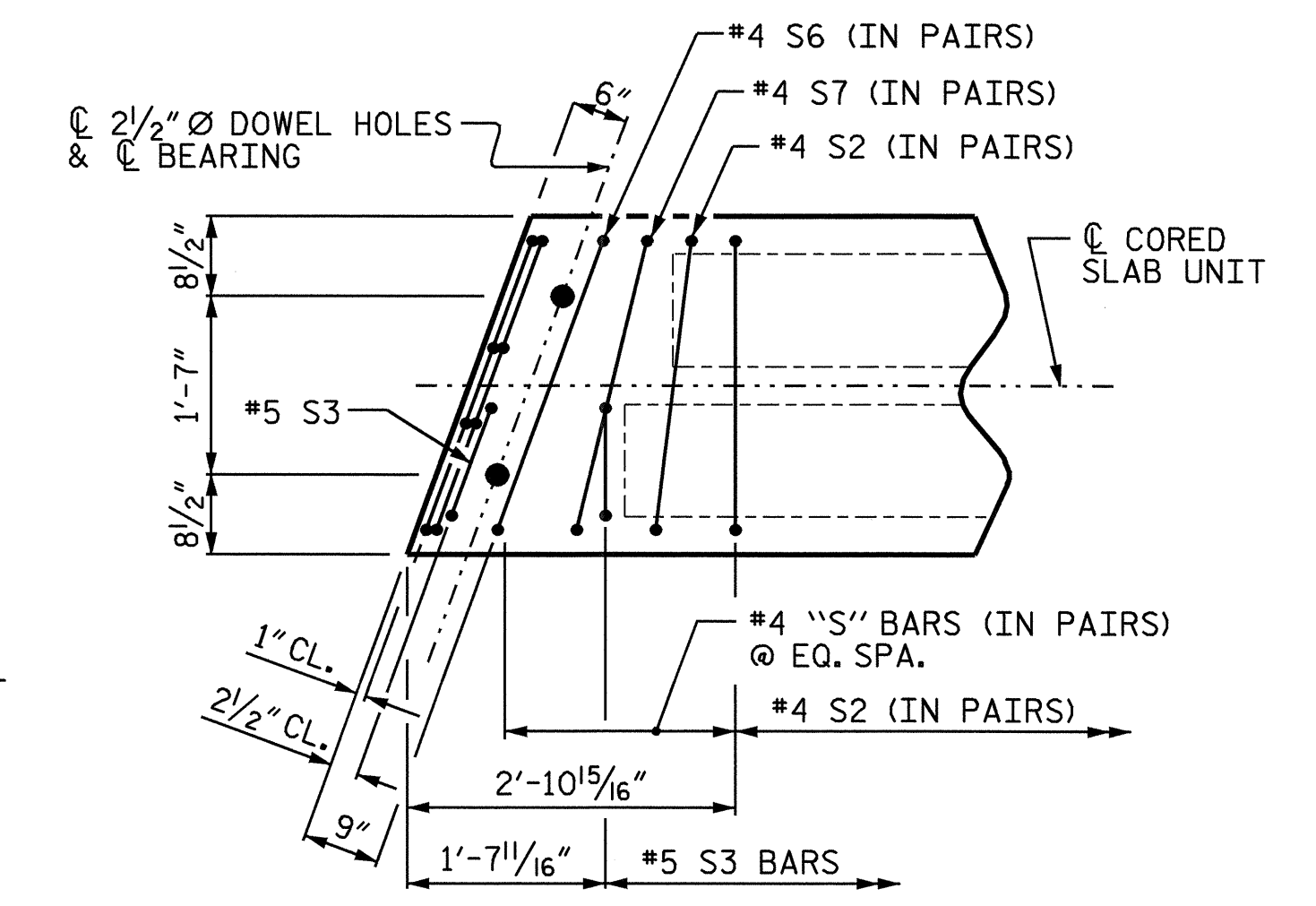
PLAN OF INTERIOR CORED SLAB UNIT



PLAN OF EXTERIOR CORED SLAB UNIT



DETAIL A



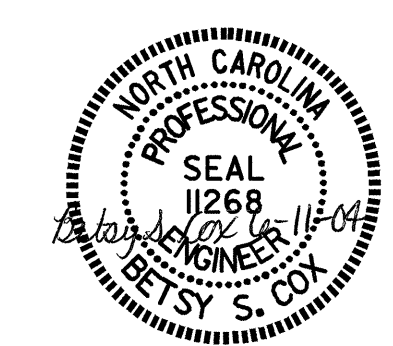
DETAIL B

PROJECT NO. B-3646
 GUILFORD COUNTY
 STATION: 16+44.43 -L-

SHEET 6 OF 7

STATE OF NORTH CAROLINA
 DEPARTMENT OF TRANSPORTATION
 RALEIGH

PLAN OF
 3'-0" x 1'-9"
 CORED SLAB UNIT
 SPAN "C"



DRAWN BY : P.C. BREWER DATE : 9/3/03
 CHECKED BY : S.B. WILLIAMS DATE : 9/11/03

REVISIONS						SHEET NO.
NO.	BY:	DATE:	NO.	BY:	DATE:	S-9
1			3			TOTAL SHEETS
2			4			28