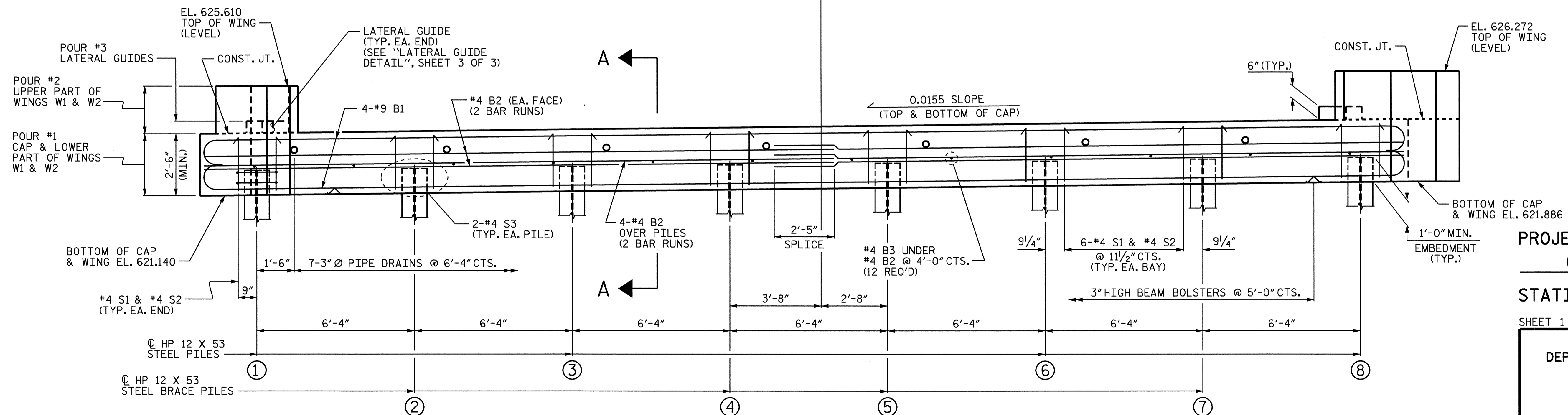


PLAN



ELEVATION

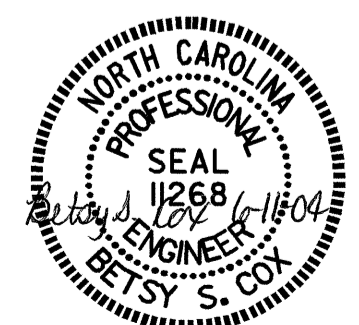
| TOP OF PILE ELEVATIONS |         |
|------------------------|---------|
| ①                      | 622.168 |
| ②                      | 622.267 |
| ③                      | 622.365 |
| ④                      | 622.464 |
| ⑤                      | 622.563 |
| ⑥                      | 622.661 |
| ⑦                      | 622.760 |
| ⑧                      | 622.858 |

PROJECT NO. B-3646  
 GUILFORD COUNTY  
 STATION: 16+44.43 -L-  
 SHEET 1 OF 3

STATE OF NORTH CAROLINA  
 DEPARTMENT OF TRANSPORTATION  
 RALEIGH

SUBSTRUCTURE  
 END BENT No. 1

| REVISIONS |     |       |     |     |       | SHEET NO.    |
|-----------|-----|-------|-----|-----|-------|--------------|
| NO.       | BY: | DATE: | NO. | BY: | DATE: | S-11         |
| 1         |     |       | 3   |     |       | TOTAL SHEETS |
| 2         |     |       | 4   |     |       | 28           |



DRAWN BY: P.C. BREWER DATE: 9/9/03  
 CHECKED BY: S.B. WILLIAMS DATE: 9/24/03