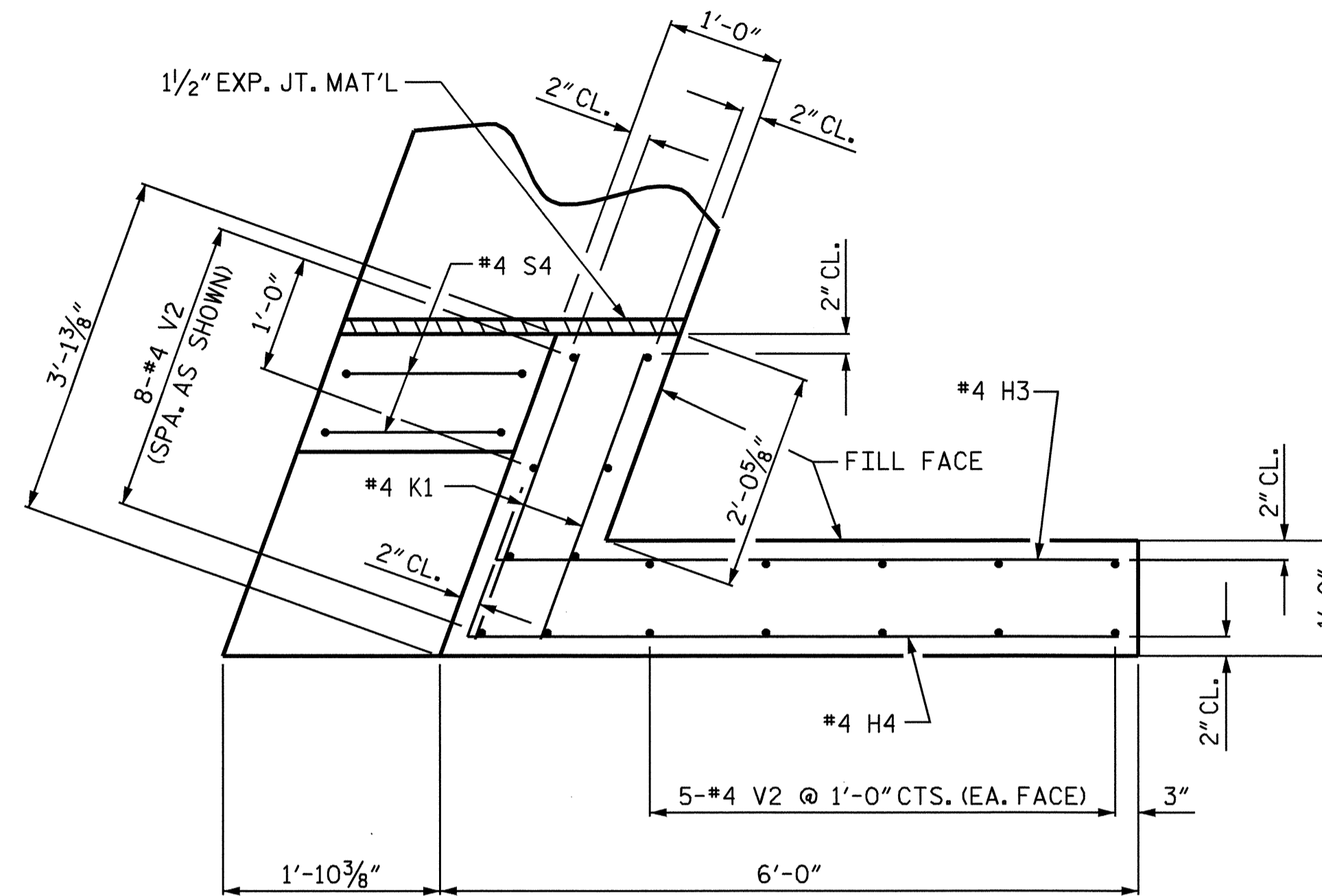
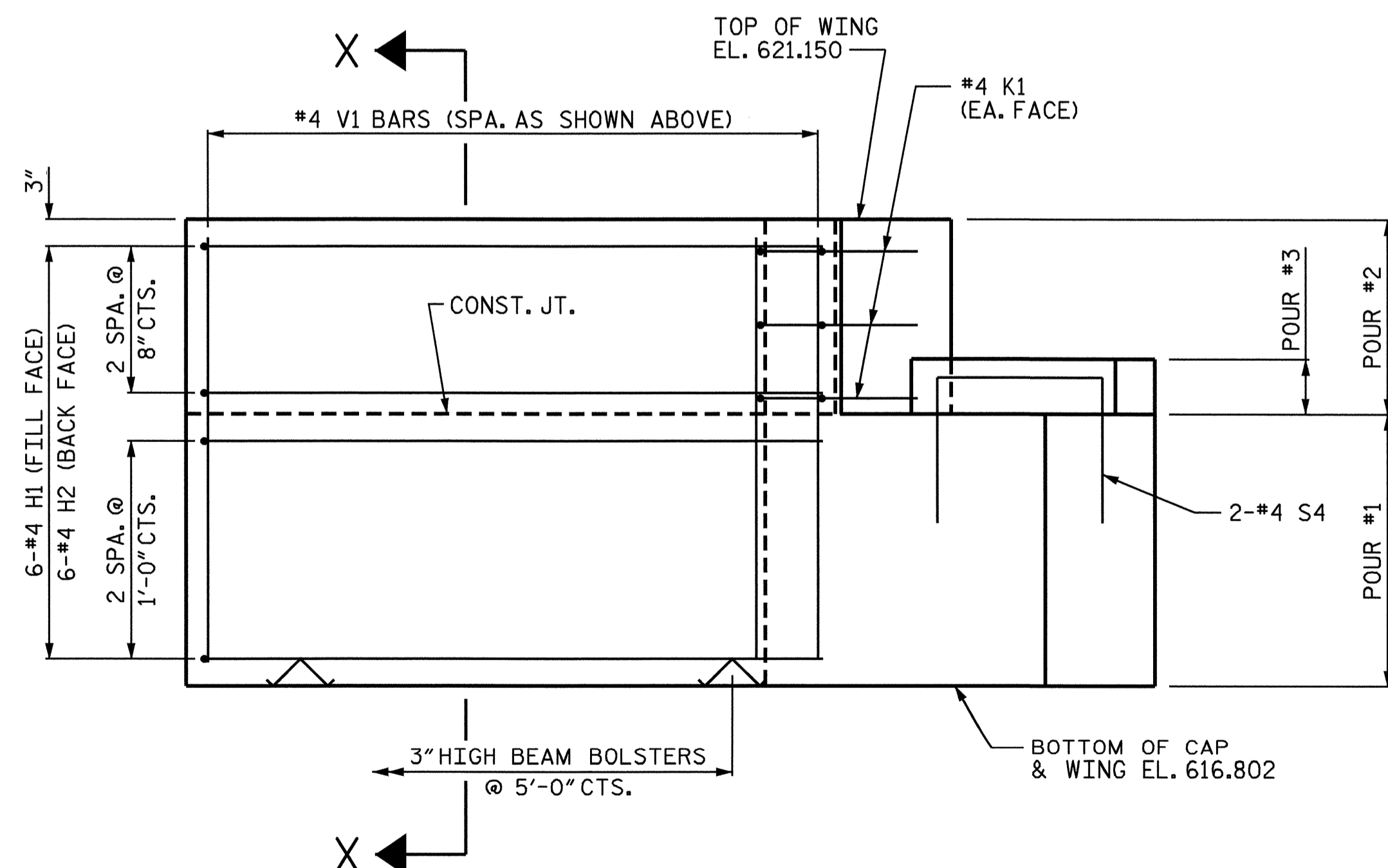


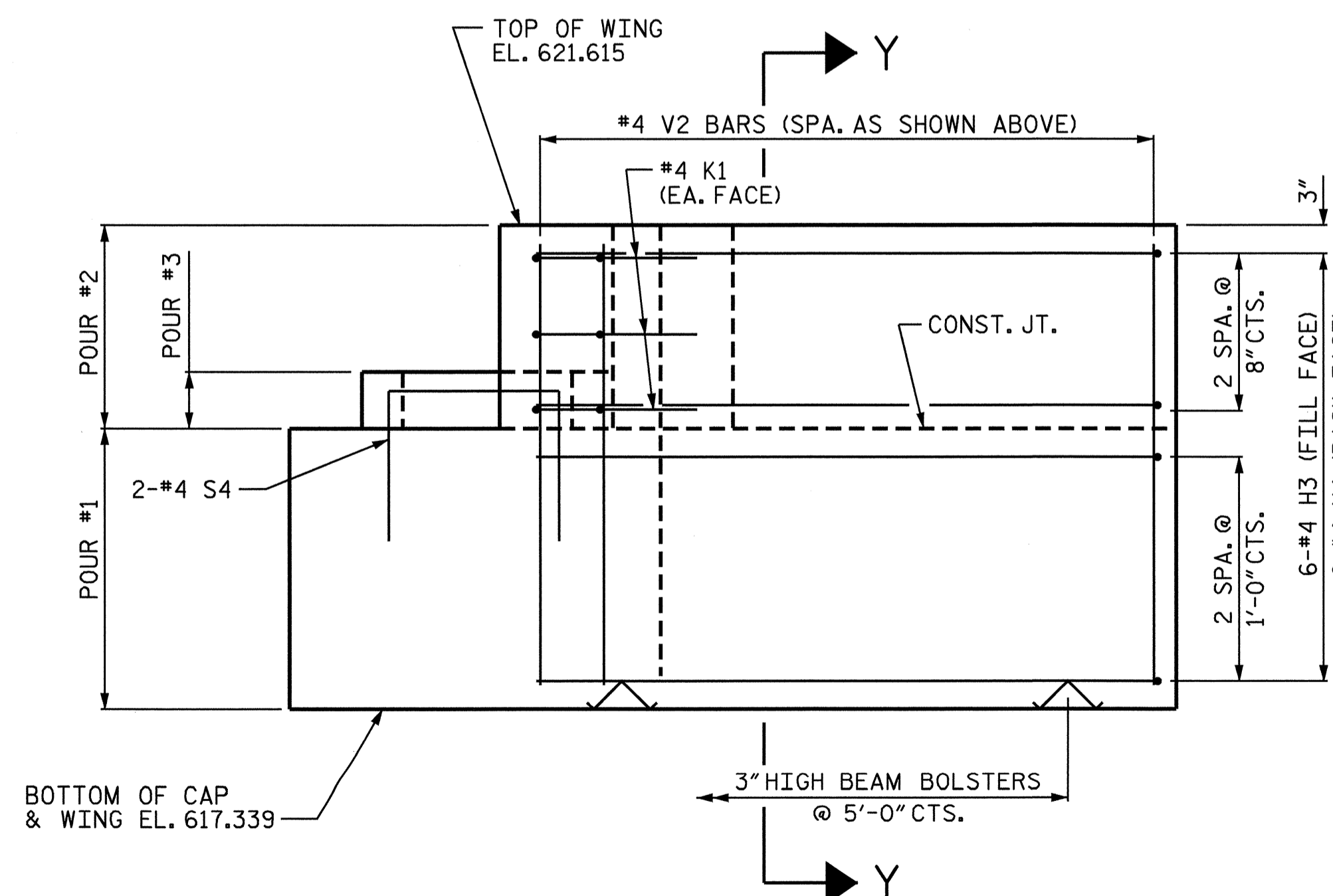
PLAN OF WING (W1)



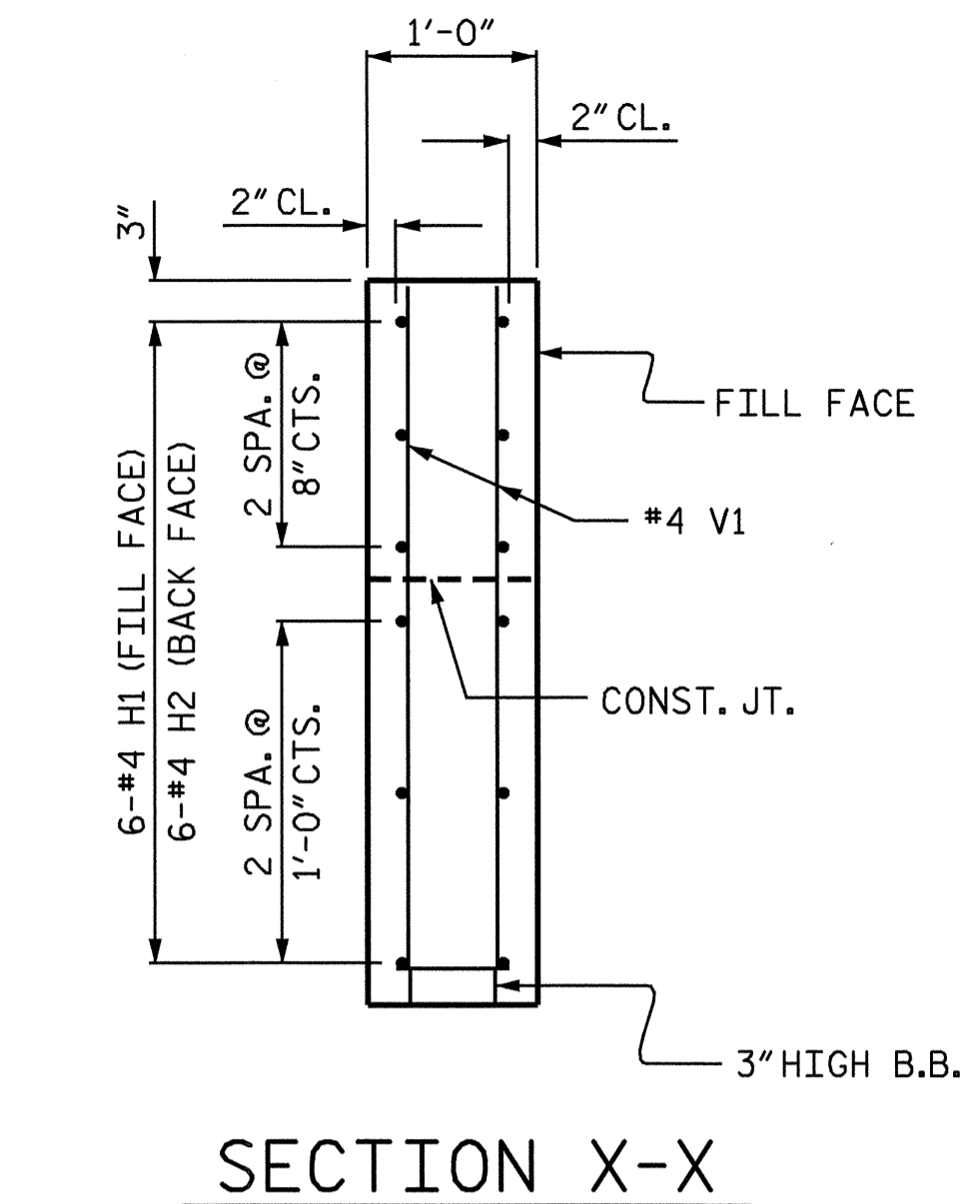
PLAN OF WING (W2)



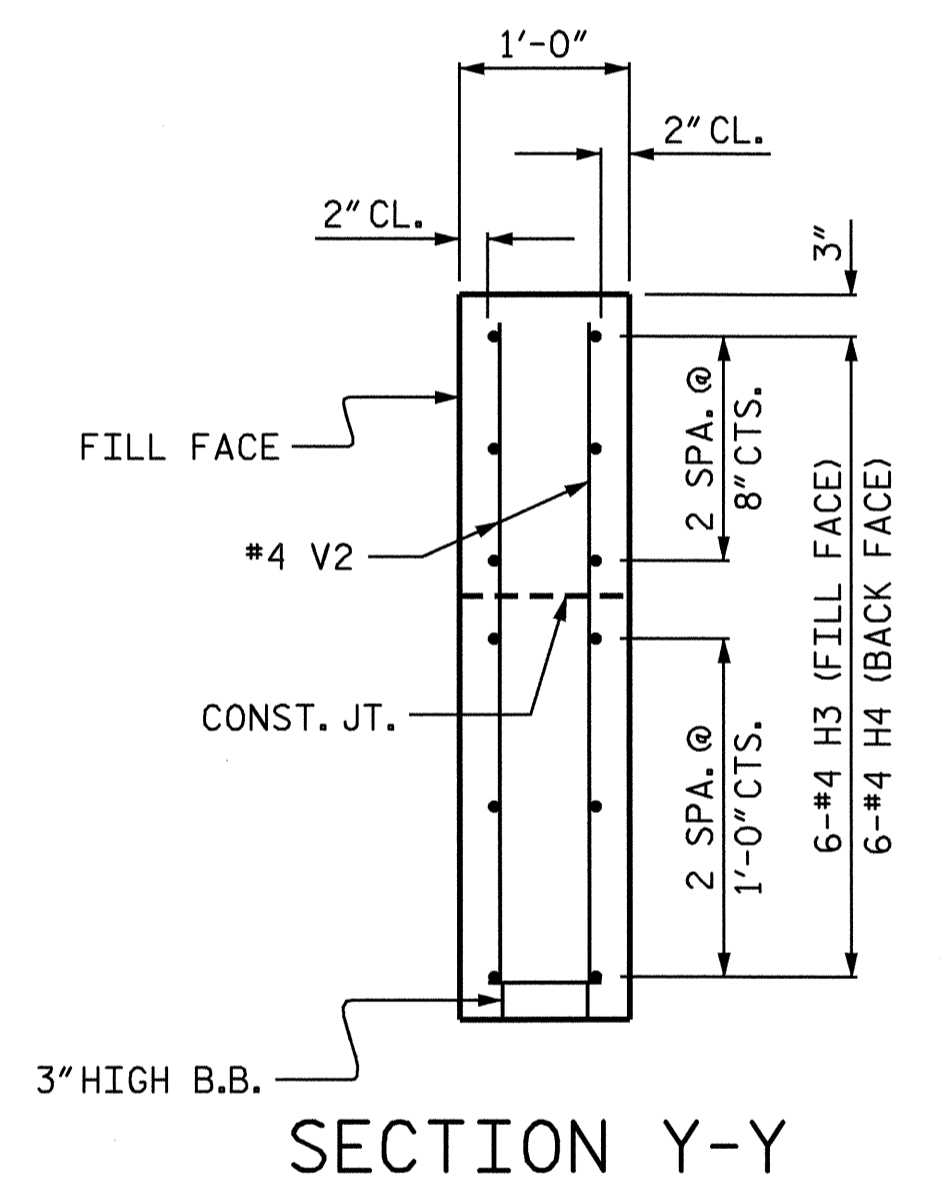
ELEVATION OF WING (W1)



ELEVATION OF WING (W2)



SECTION X-X



SECTION Y-Y

PROJECT NO. B-3646
GUILFORD COUNTY
 STATION: 16+44.43 -L-

SHEET 2 OF 3

STATE OF NORTH CAROLINA DEPARTMENT OF TRANSPORTATION RALEIGH					
SUBSTRUCTURE END BENT No. 2					
REVISIONS					
NO.	BY:	DATE:	NO.	BY:	DATE:
1			3		
2			4		
					SHEET NO. S-19
					TOTAL SHEETS 28



DRAWN BY : P.C. BREWER DATE : 9/10/03
 CHECKED BY : S.B. WILLIAMS DATE : 9/30/03

03-JUN-2004 14:12
 w:\sqad\vb3646\pbrewer\microstation\B3646.sd\EB2.01.dgn
 pbrewer