

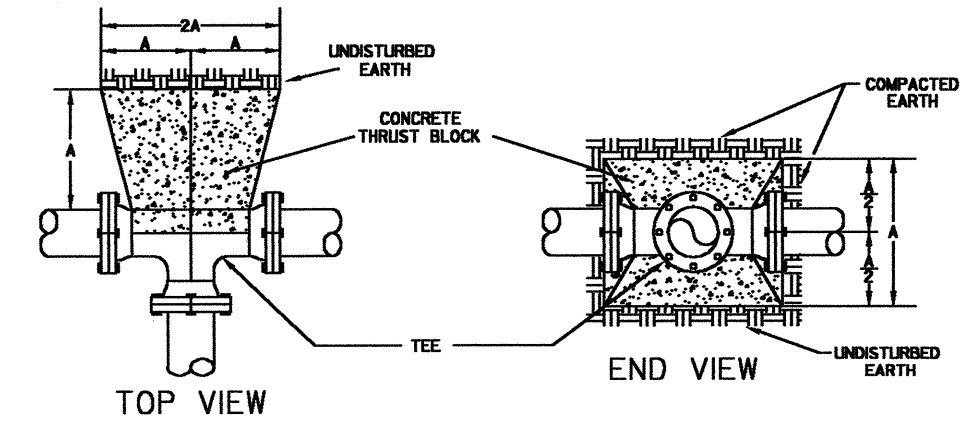


NOT TO SCALE

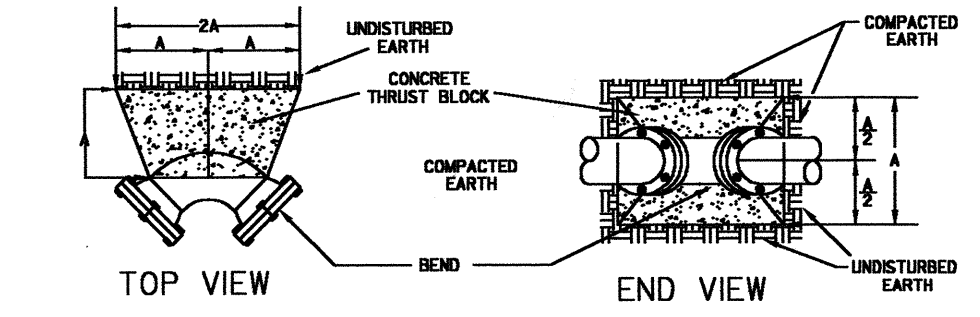
CONST. REV.
 R/W REV.

TABLE OF "A" DIMENSIONS (ON FEET)

BEND	90	45	22 1/2	11 1/4	TEE
6" INCH	1.4	1.1	1.0	1.0	1.2
8" INCH	1.9	1.5	1.5	1.5	1.6
10" INCH	2.4	1.8	1.8	1.8	2.0
12" INCH	2.8	2.1	2.0	2.0	2.4
16" INCH	3.8	2.8	2.5	2.5	2.8
24" INCH	5.6	4.2	3.0	3.0	4.5



TYPICAL THRUST BLOCK FOR TEES



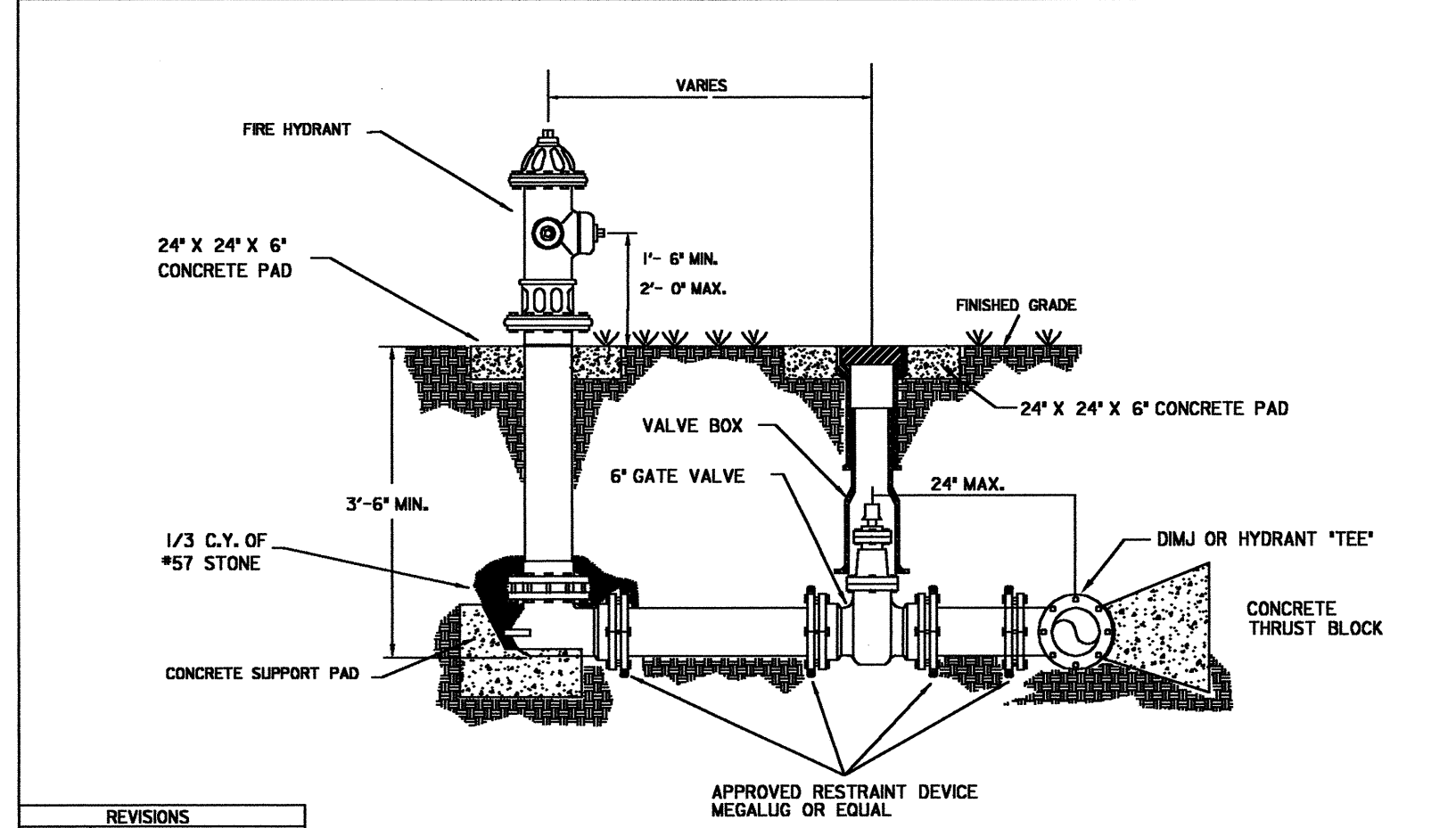
TYPICAL THRUST BLOCK FOR BENDS

- NOTES:
1. ALL FITTINGS MUST BE RESTRAINED AS SPECIFIED IN SECTION 6.05 OF THE STANDARD SPECIFICATIONS AND DETAILS MANUAL.
 2. DIMENSION TABLE GIVEN IS A GUIDE ONLY. ENGINEER SHALL BE RESPONSIBLE TO CALCULATE THRUST BLOCK DIMENSIONS BASED ON ACTUAL SOIL AND OPERATING PRESSURE CONDITIONS.
 3. FITTING JOINTS SHALL BE KEPT FREE OF CONCRETE. A LAYER OF POLYETHYLENE PLASTIC SHALL BE PLACED BETWEEN THE FITTING AND THE CONCRETE.
 4. PRE-CAST THRUST BLOCKS ARE NOT ACCEPTABLE.
 5. CONCRETE SHALL HAVE 4000 P.S.I. COMPRESSIVE STRENGTH.

REVISIONS

DATE	DESCRIPTION
05/09	4000 P.S.I. CONCRETE SPECIFIED

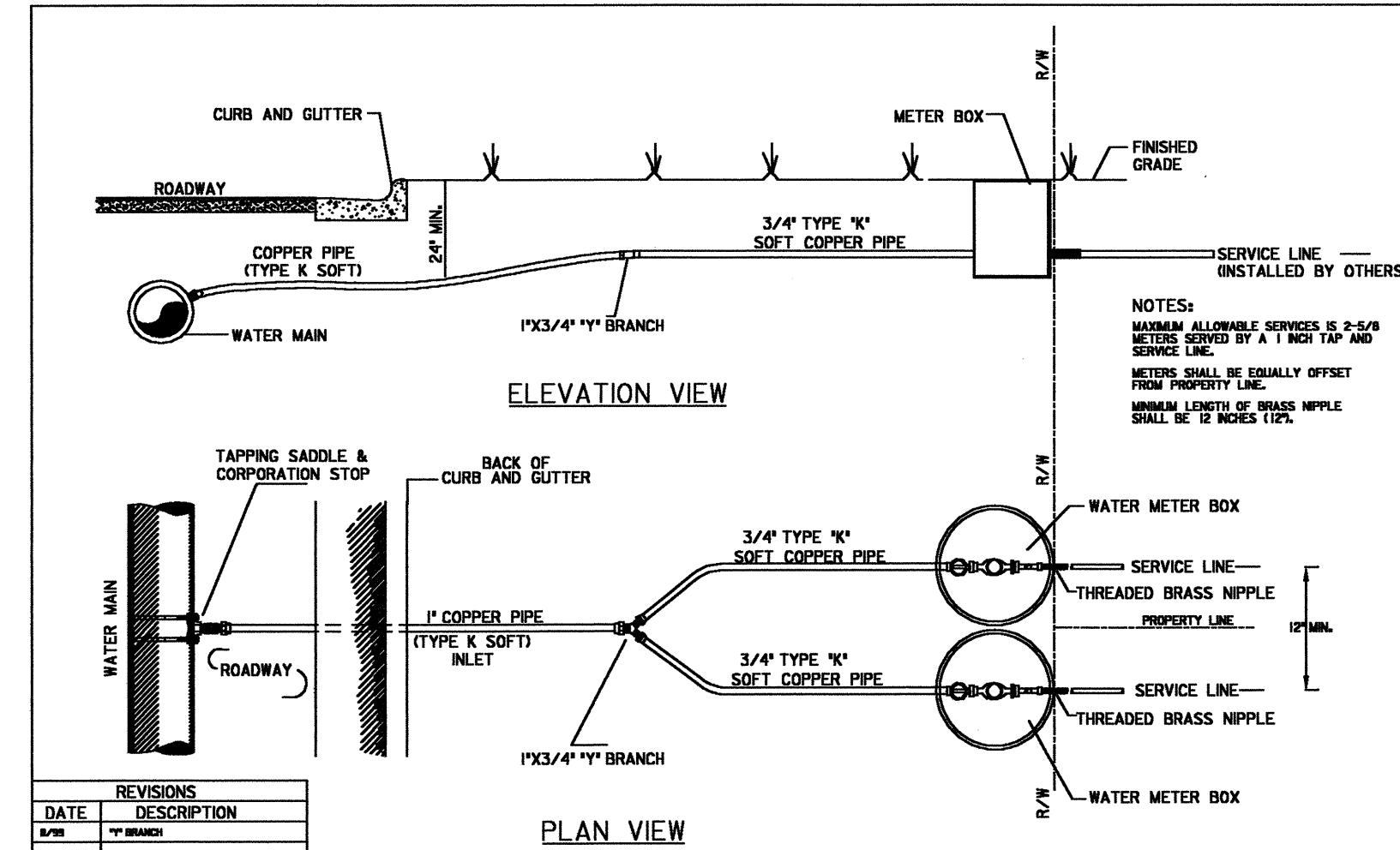
CITY OF ASHEVILLE, N.C. ENGINEERING DEPARTMENT
 THRUST BLOCKS FOR FITTINGS
 STD. No. 6.13



REVISIONS

DATE	DESCRIPTION
05/09	APPROVED THE MEGALUGS

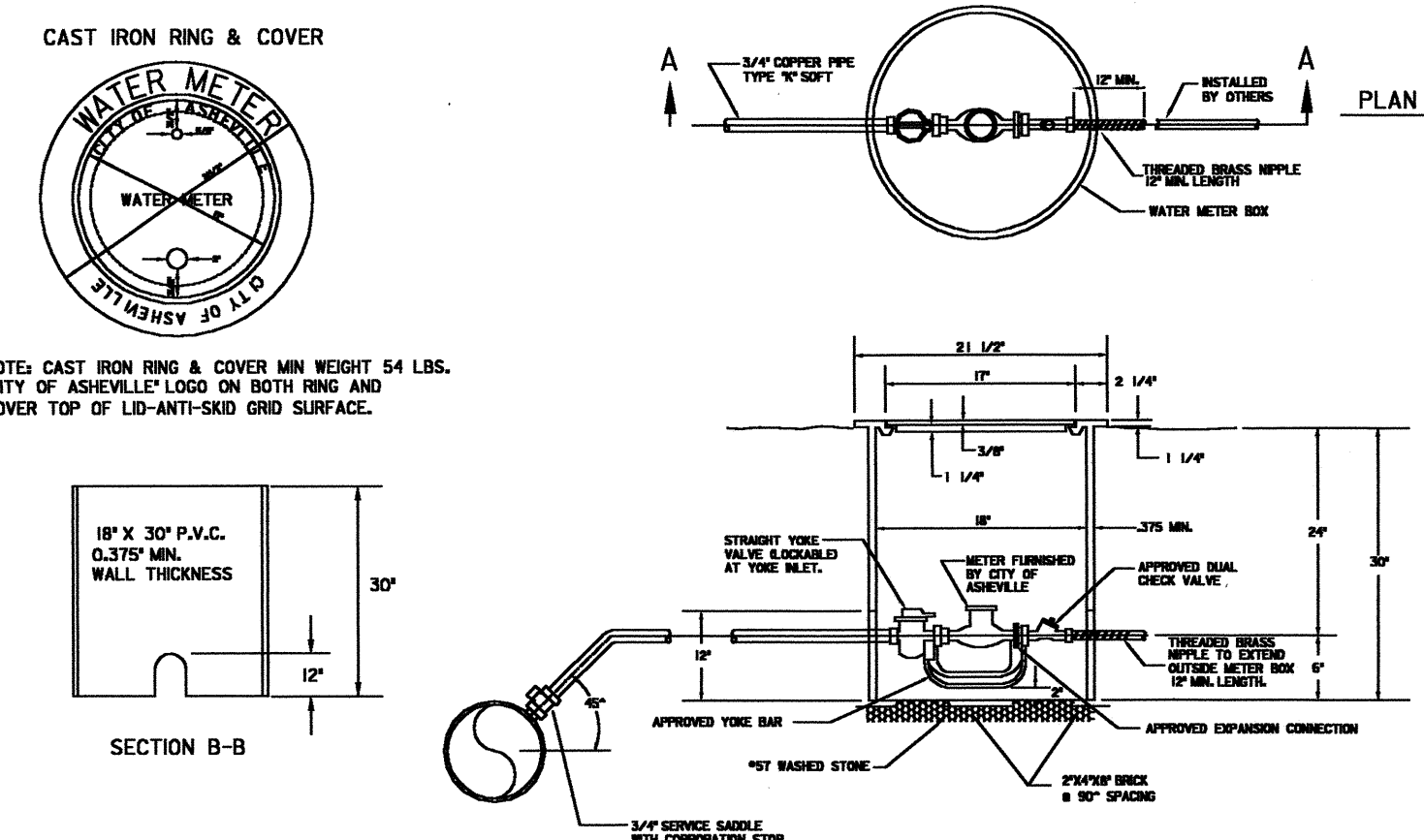
CITY OF ASHEVILLE, N.C. ENGINEERING DEPARTMENT
 FIRE HYDRANT INSTALLATION
 STD. No. 6.05



REVISIONS

DATE	DESCRIPTION
05/09	NEW DETAIL

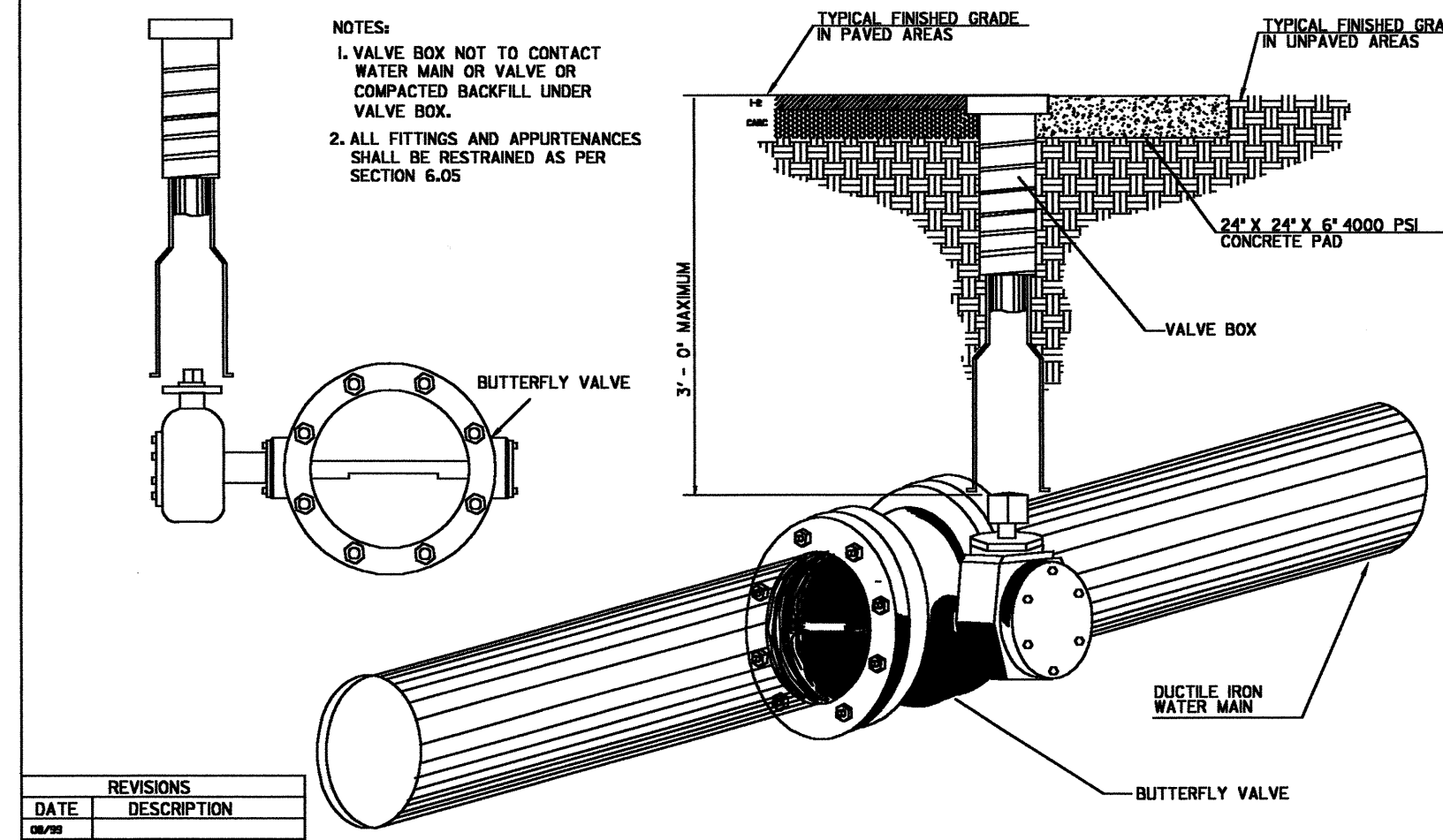
CITY OF ASHEVILLE, N.C. ENGINEERING DEPARTMENT
 STANDARD MULTIPLE BRANCH SERVICES
 STD. No. 6.15



REVISIONS

DATE	DESCRIPTION
05/09/09	TRANSFERS AS DESCRIBED IN THE TECHNICAL SPECIFICATIONS AND SHOWN ON THE ENGINEERING DRAWINGS.

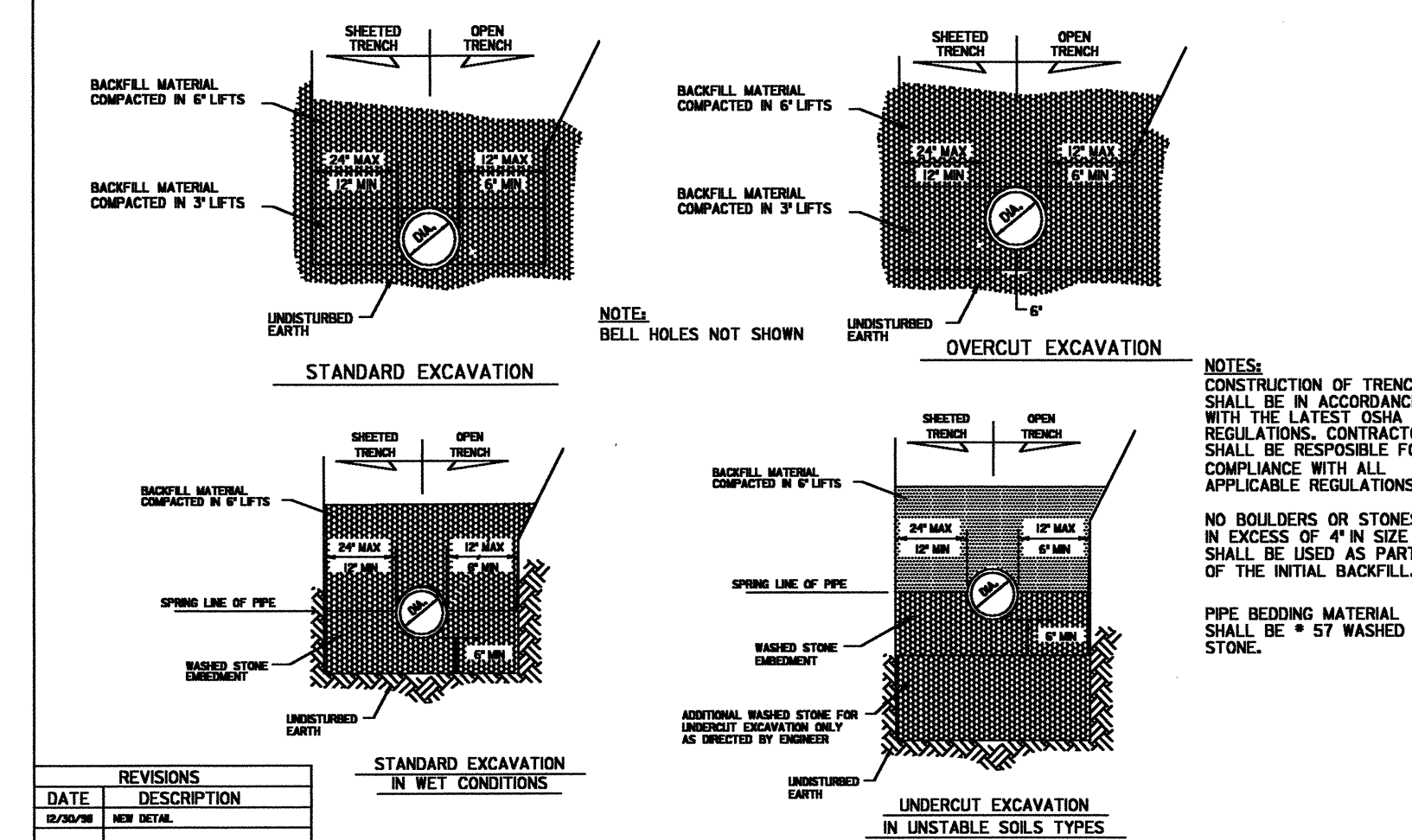
CITY OF ASHEVILLE, N.C. ENGINEERING DEPARTMENT
 DETAIL - 5/8 WATER METER BOX
 STD. No. 6.01



REVISIONS

DATE	DESCRIPTION
05/09/09	NEW DETAIL

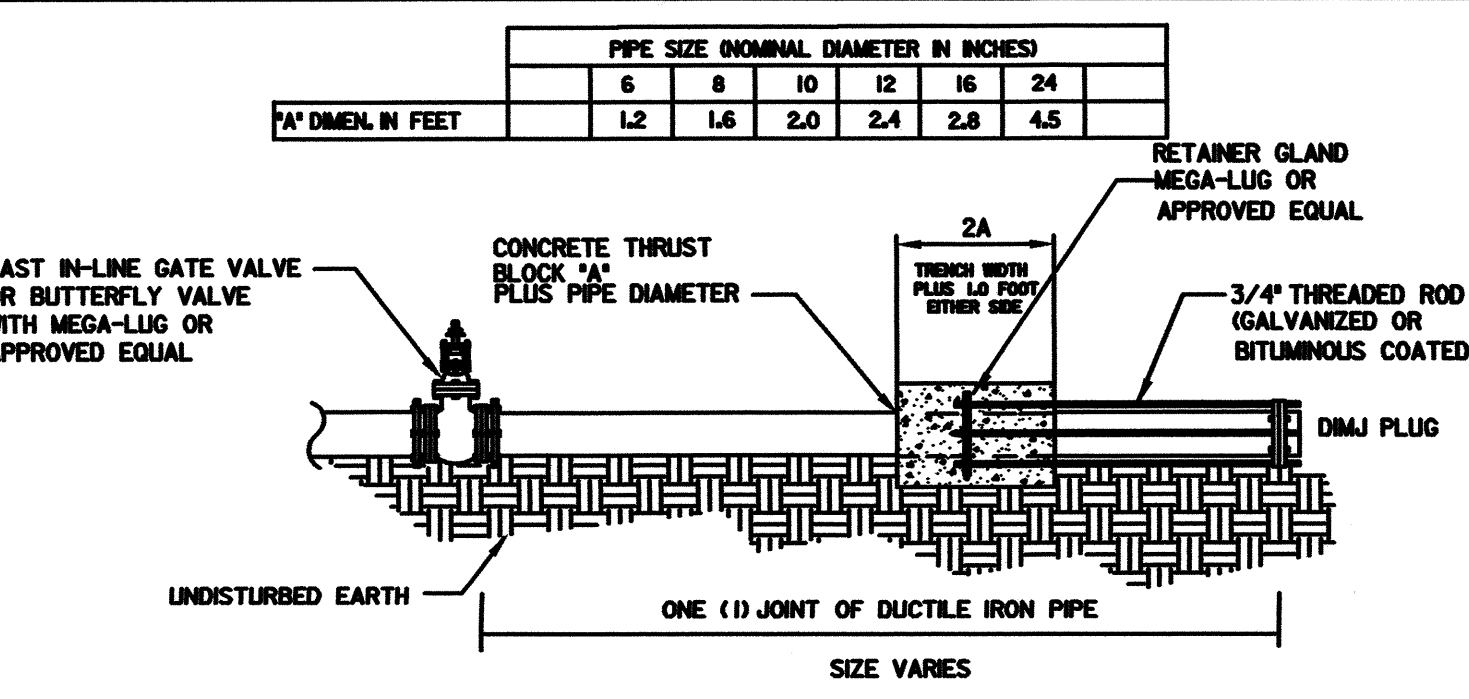
CITY OF ASHEVILLE, N.C. ENGINEERING DEPARTMENT
 TYPICAL BUTTERFLY VALVE INSTALLATION
 STD. No. 6.20



REVISIONS

DATE	DESCRIPTION
05/09/09	NEW DETAIL

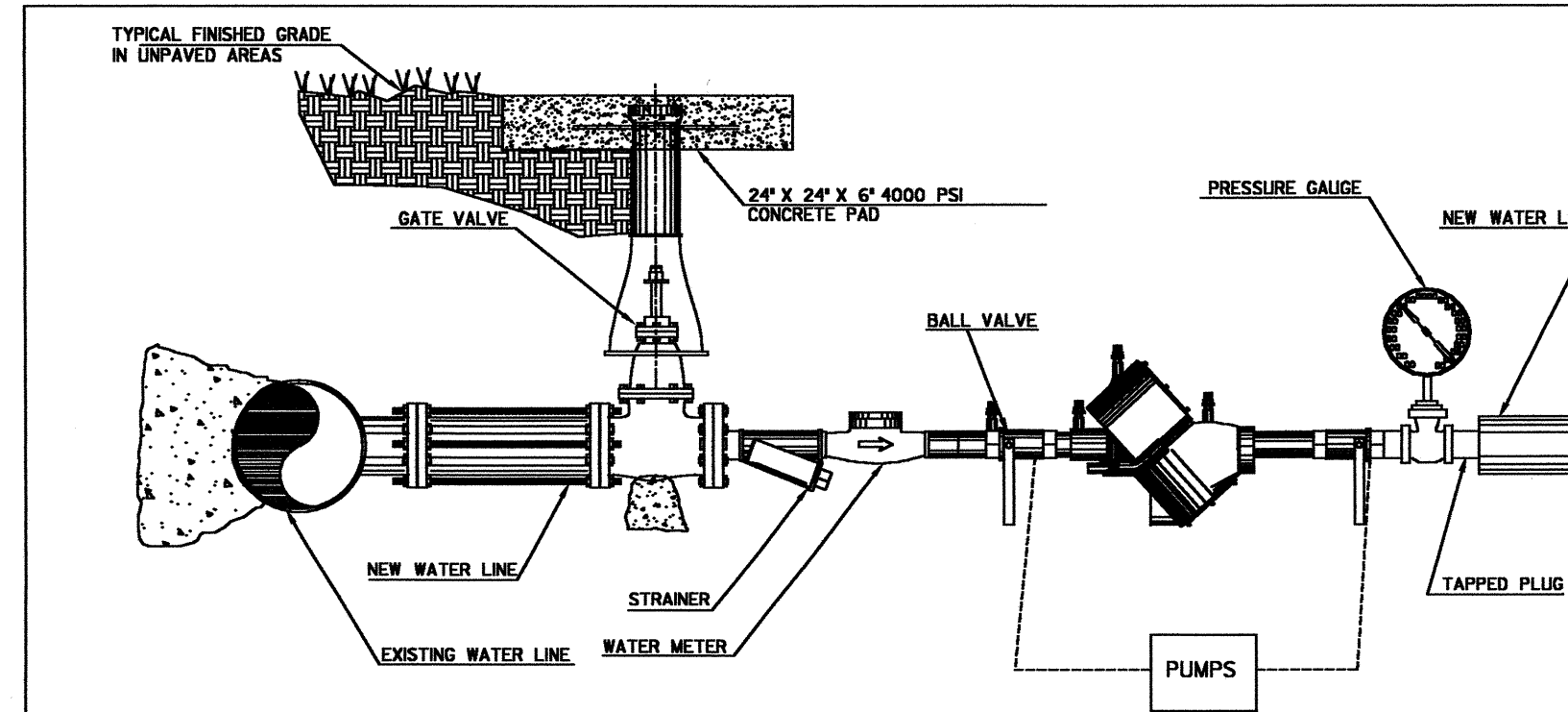
CITY OF ASHEVILLE, N.C. ENGINEERING DEPARTMENT
 TYPICAL TRENCH DETAIL
 STD. No. 6.19



REVISIONS

DATE	DESCRIPTION
05/09/09	NEW DETAIL

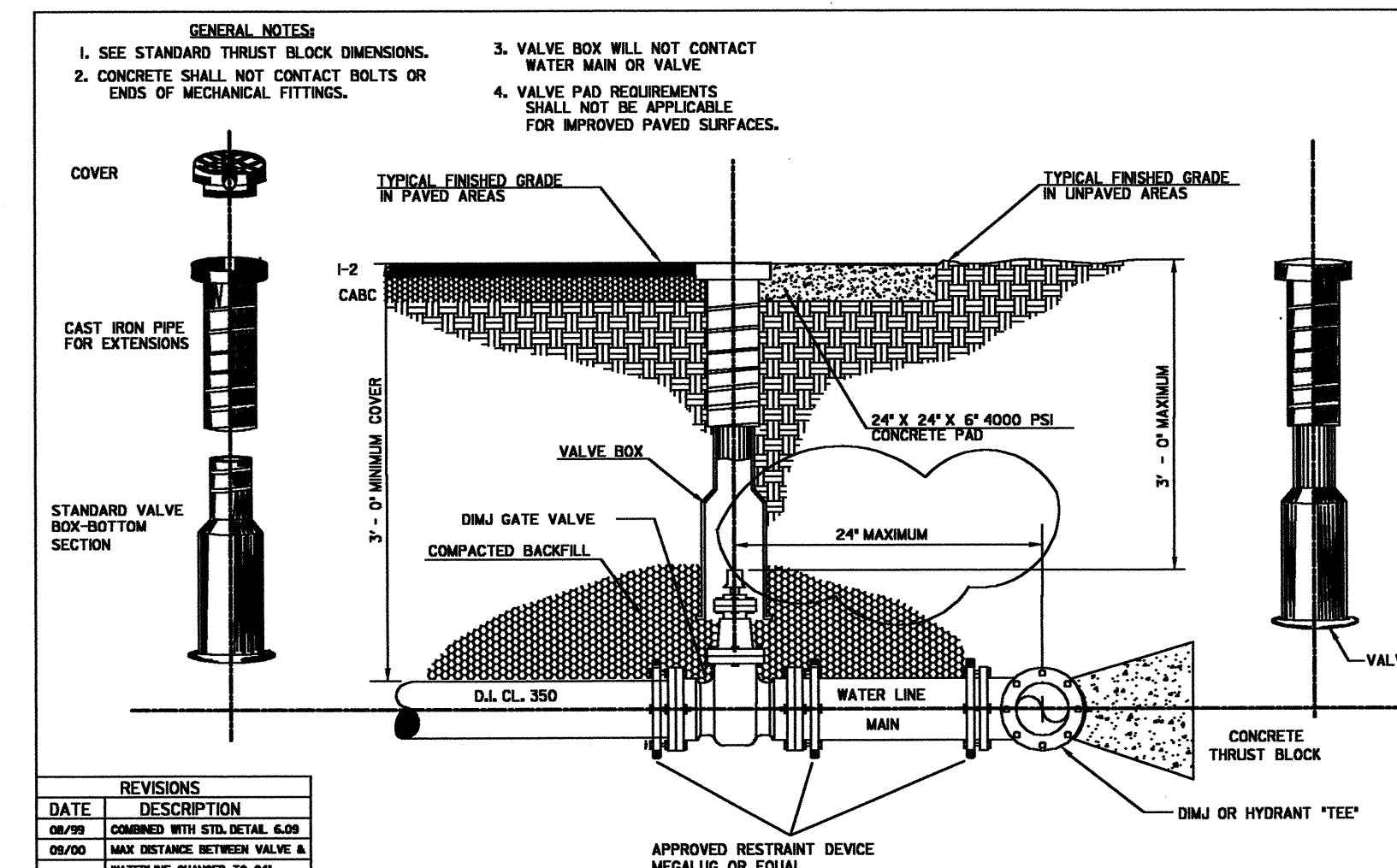
CITY OF ASHEVILLE, N.C. ENGINEERING DEPARTMENT
 END OF LINE PLUG
 STD. No. 6.14



REVISIONS

DATE	DESCRIPTION
05/09/09	NEW DETAIL

CITY OF ASHEVILLE, N.C. ENGINEERING DEPARTMENT
 NEW WATER LINE PRESSURE TEST BACKFLOW PREVENTION ASSEMBLY
 STD. No. 6.21



REVISIONS

DATE	DESCRIPTION
08/09	COMBINED WITH STD. DETAIL 6.09
08/09	MIN. DISTANCE BETWEEN VALVE & WATERLINE CHANGED TO 24"

CITY OF ASHEVILLE, N.C. ENGINEERING DEPARTMENT
 TYPICAL VALVE & VALVE BOX INSTALLATION
 STD. No. 6.06

