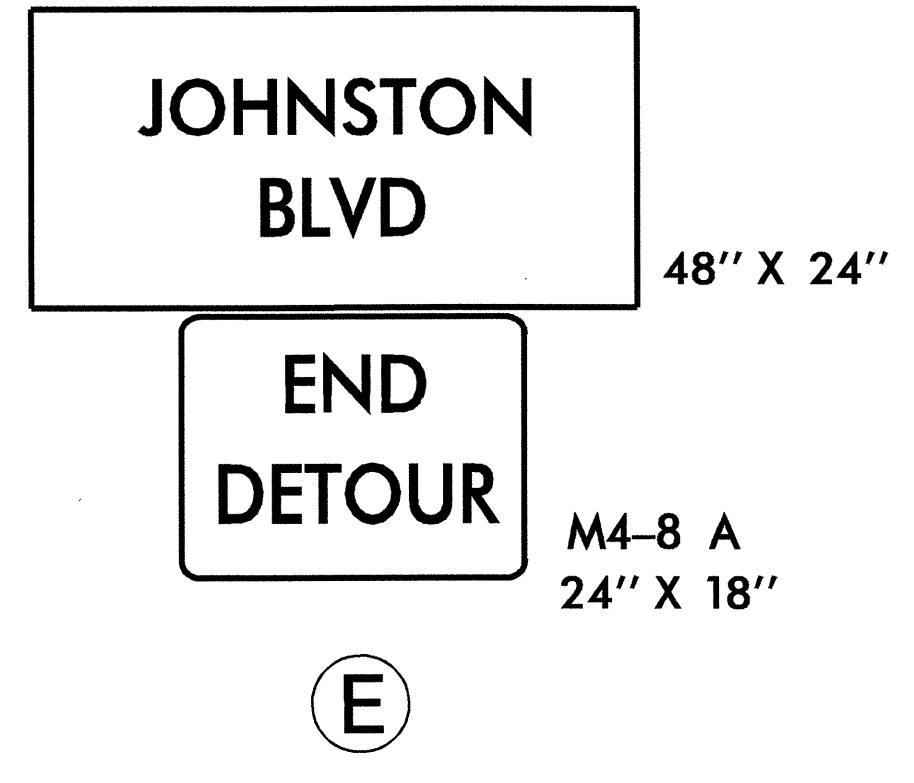
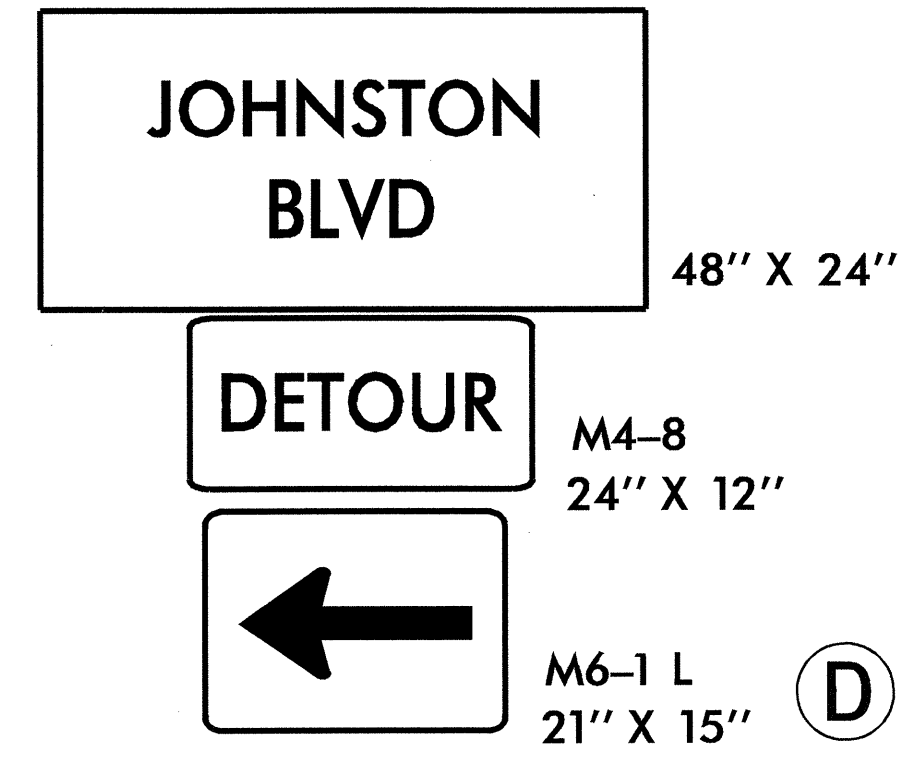
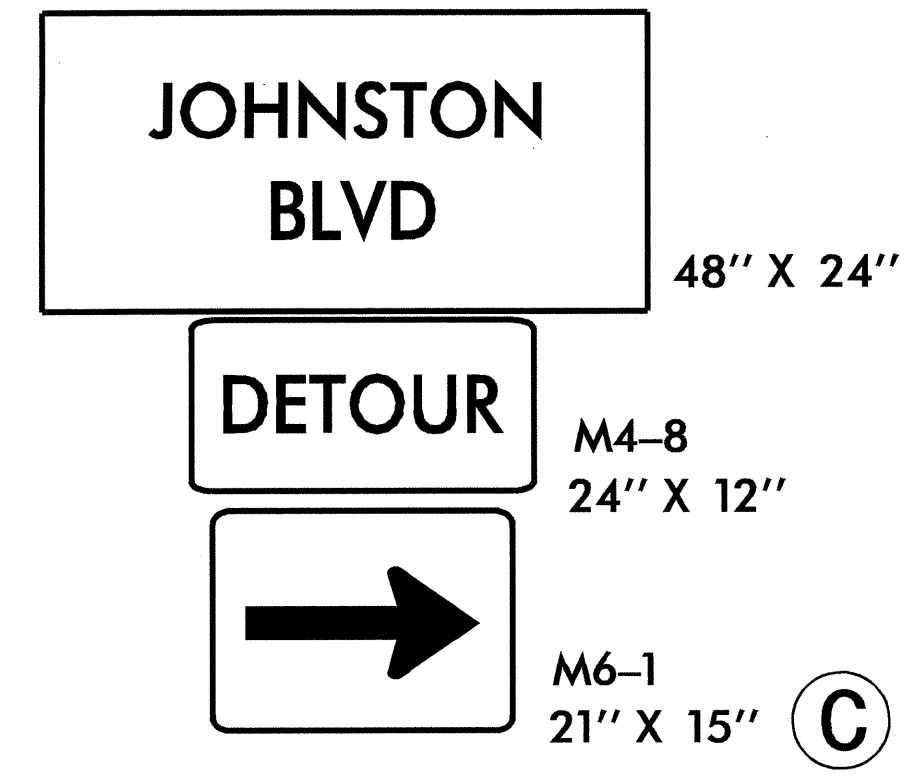
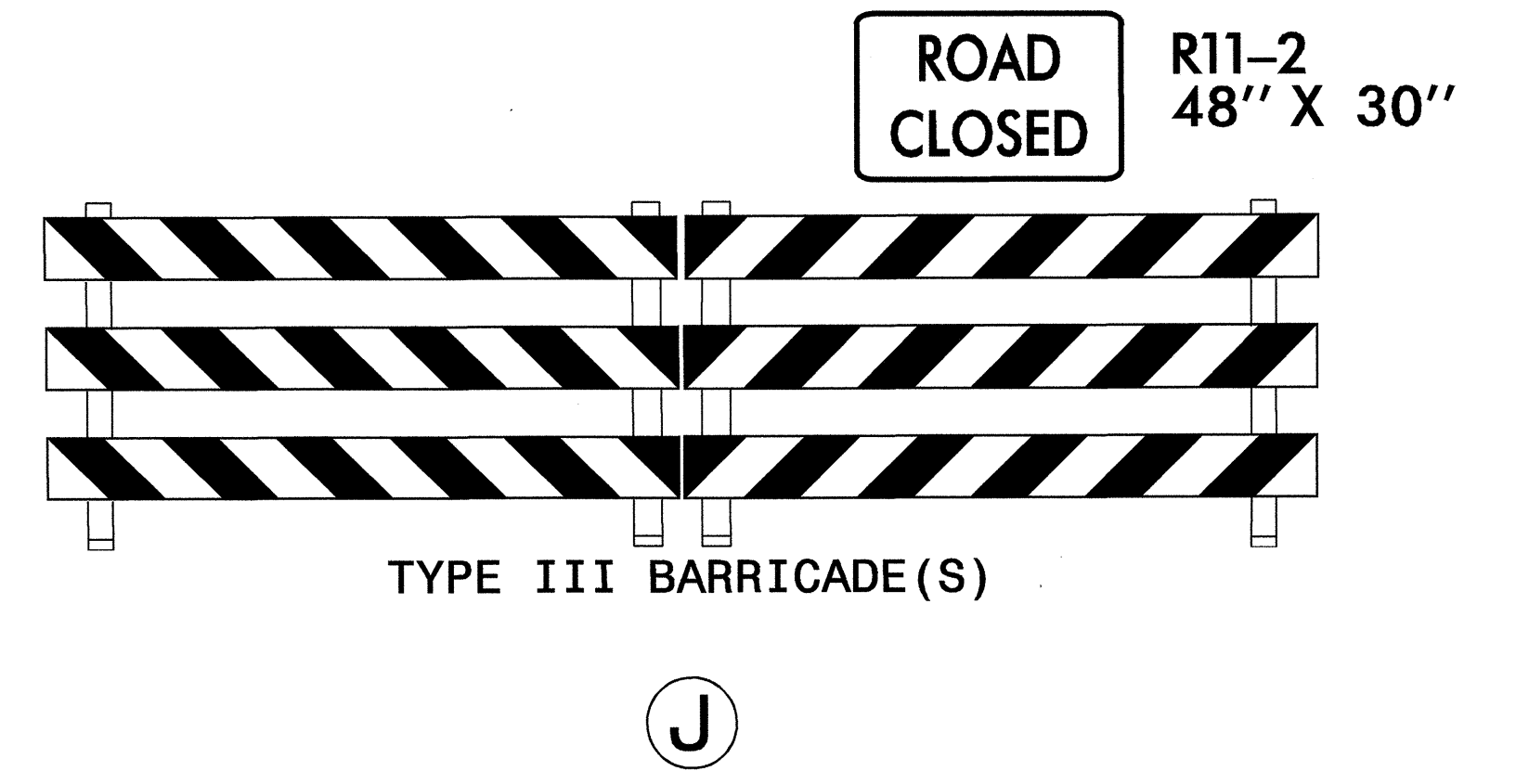
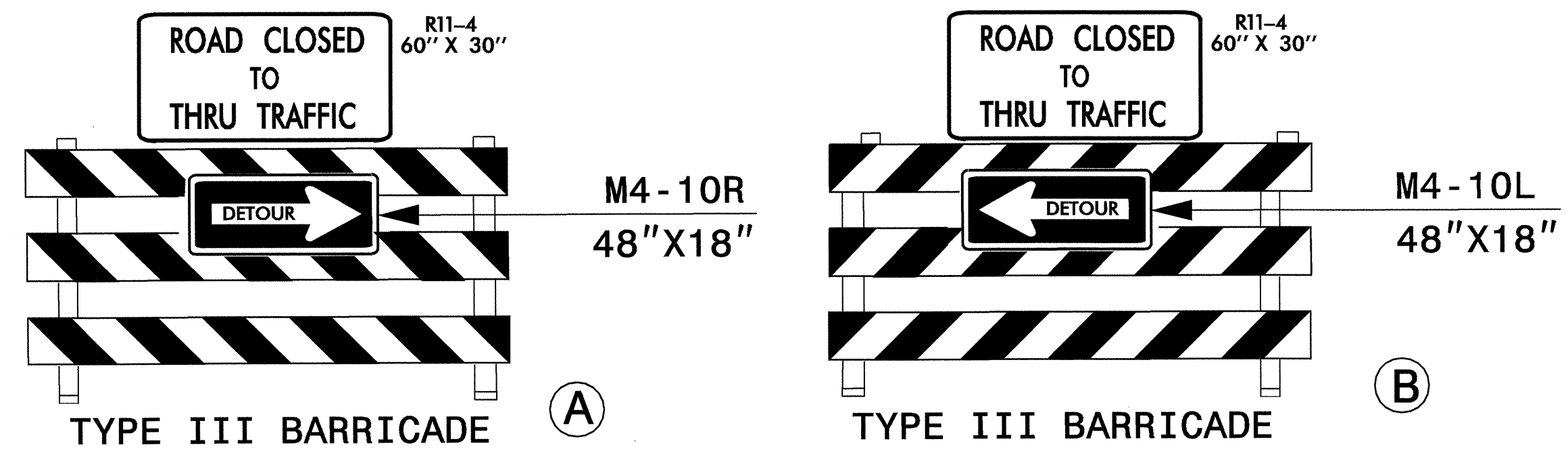
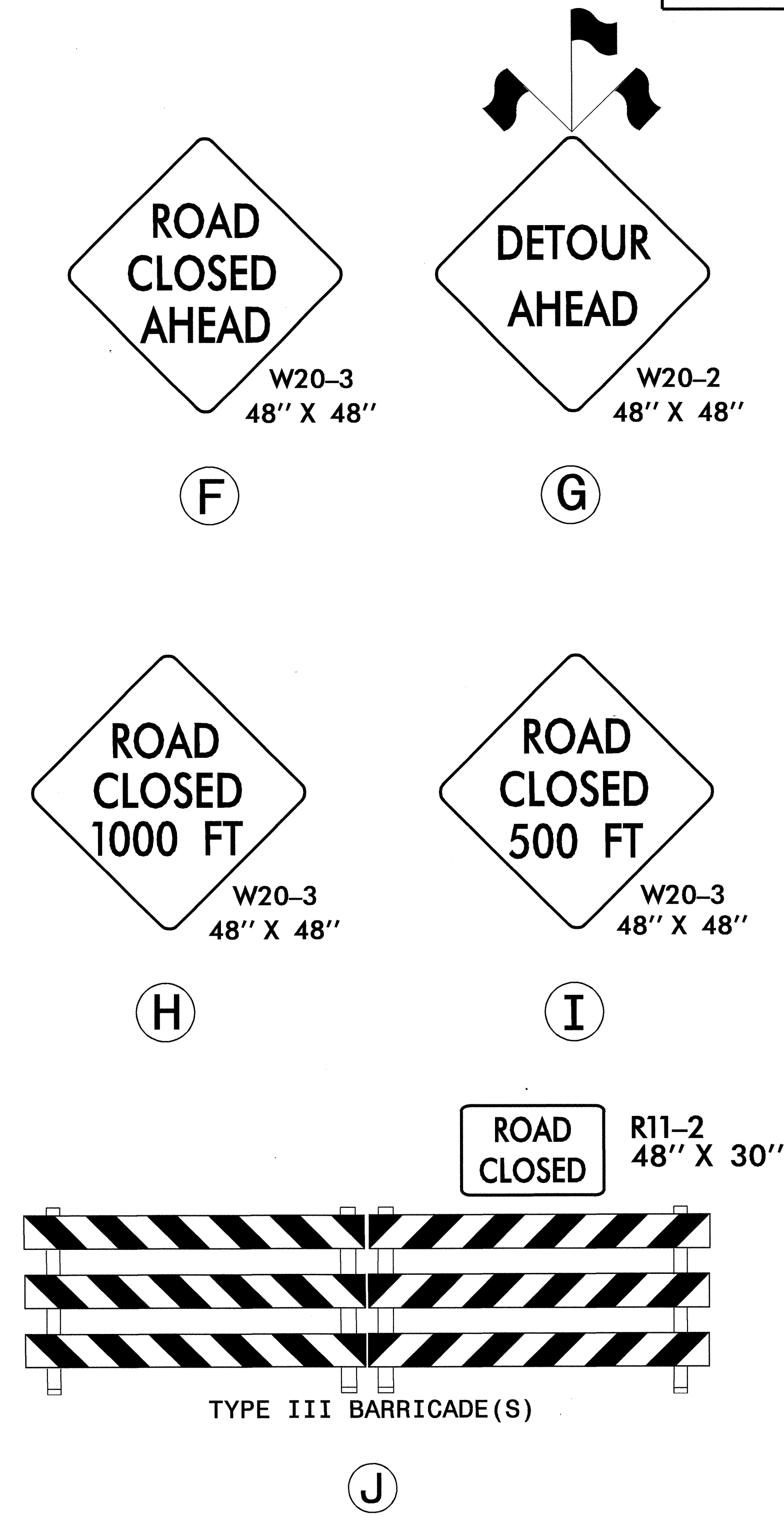


REFER TO RSD# 1101.03, SHEET 1 OF 9, FOR APPLICABLE NOTES.



APPROVED: *Jessica D. Tuse* DATE: 11/03
 SEAL
 NORTH CAROLINA PROFESSIONAL SEAL
 027811
 ENGINEER
 JESSICA D. TUSE

OFFSITE DETOUR SIGNING		REVISIONS
SCALE:	NONE	
DATE:	11/03	
DWG. BY:	MLM	
DESIGN BY:	MLM	
REVIEWED BY:	JDK	
CADD FILE		

07-MAY-2004 12:30
 H:\TCP\B3616\1\1\CP3.dwg
 jmmarney - AT - TEL088647