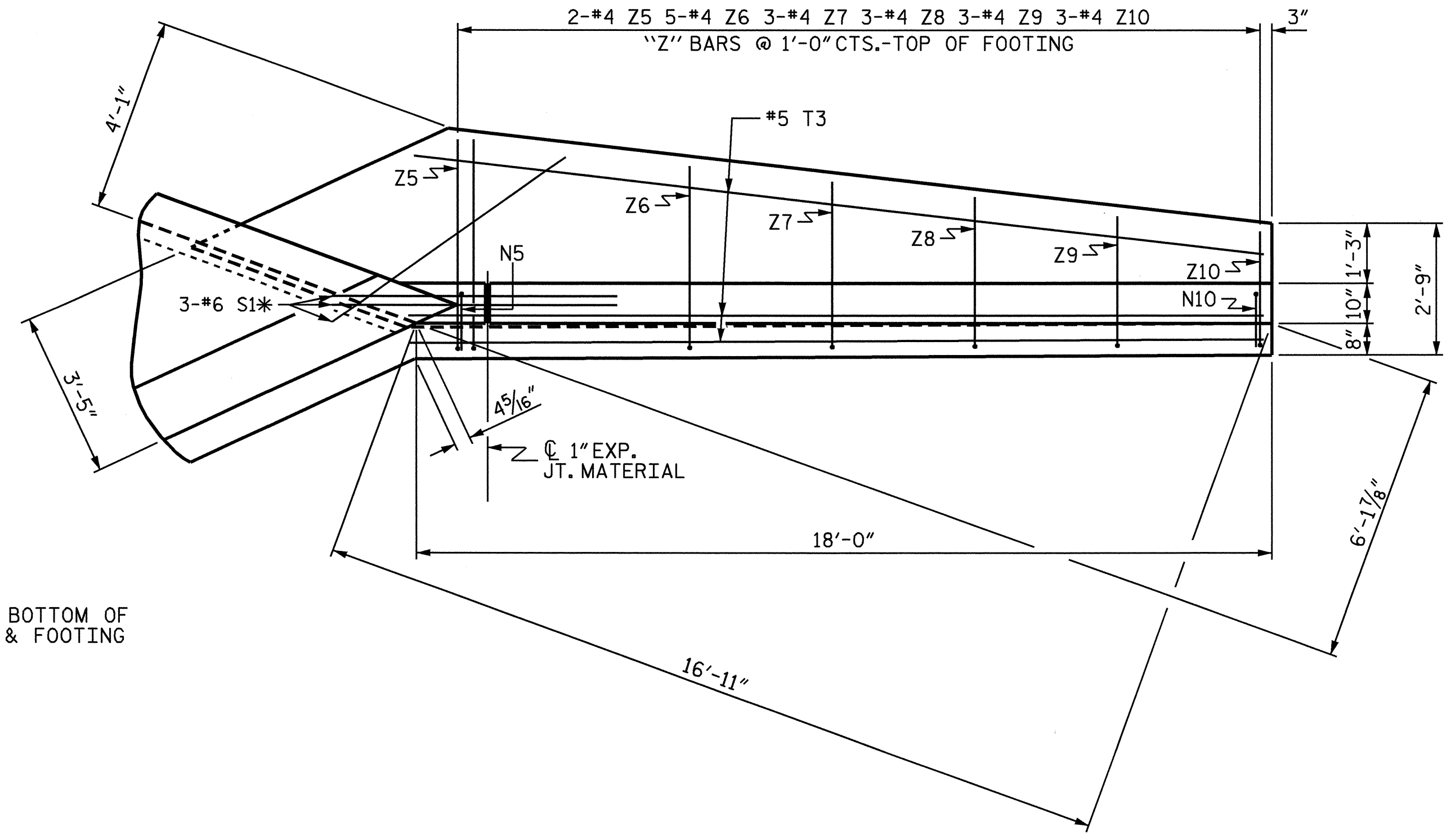
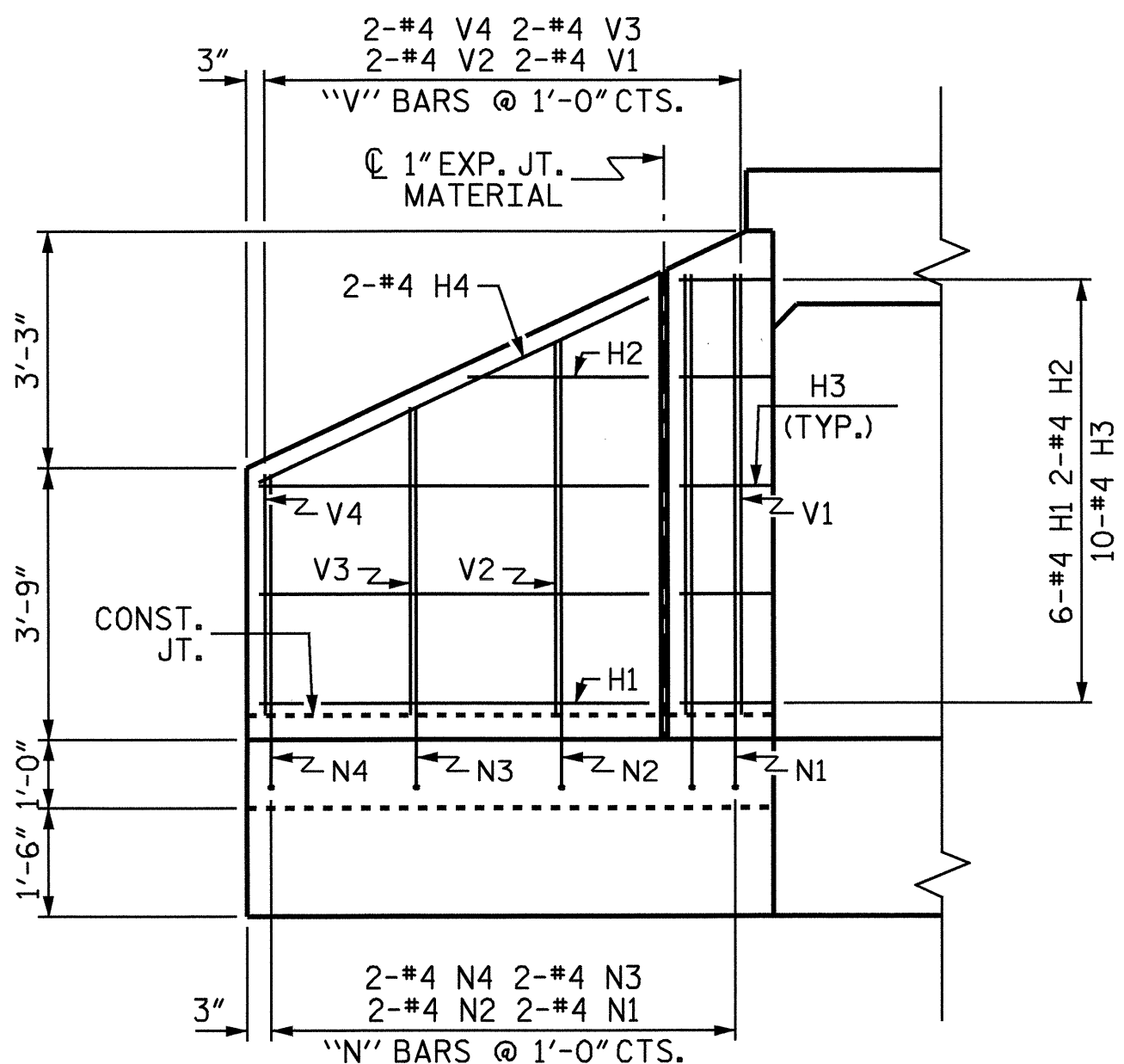


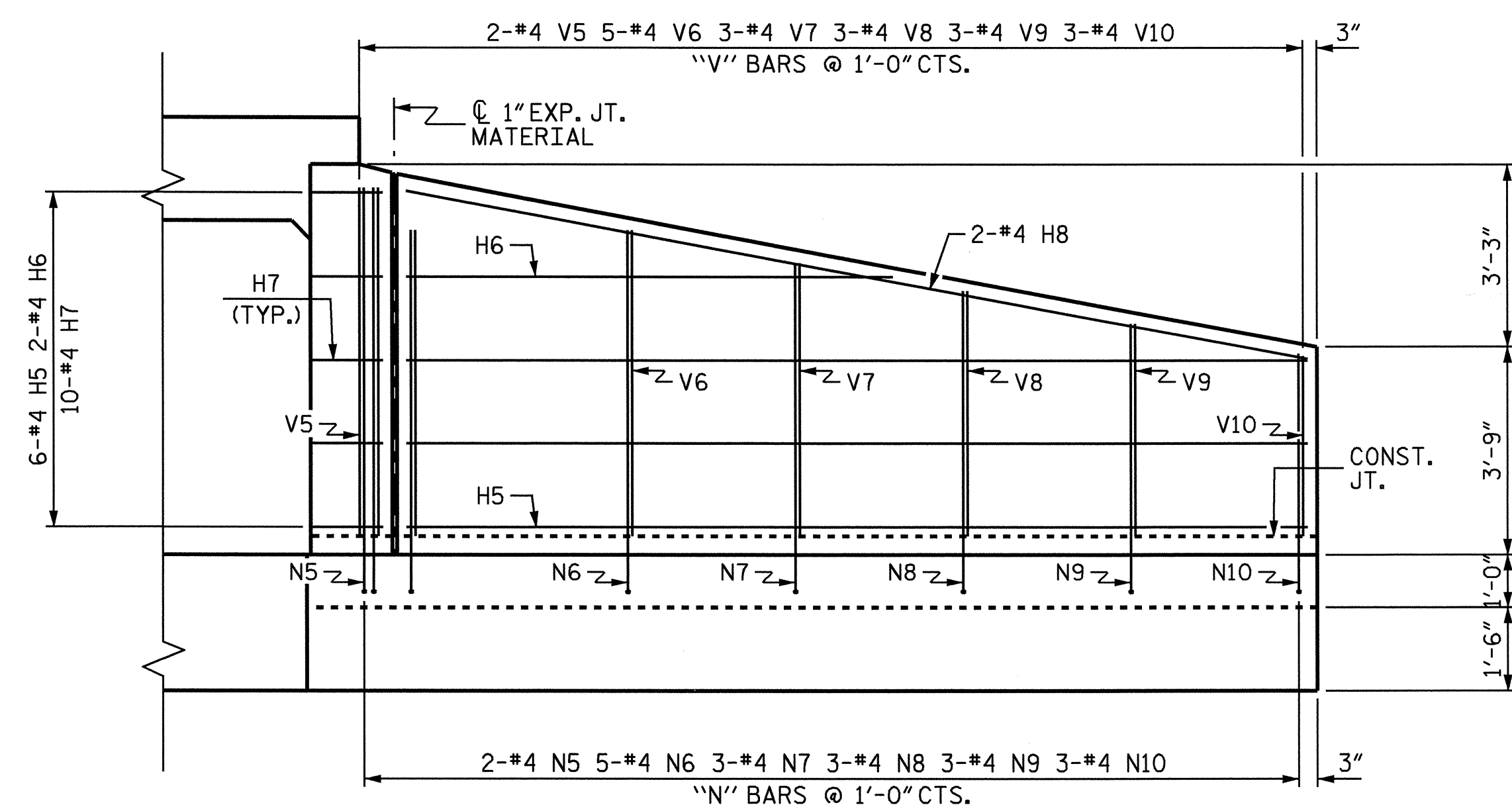
PLAN W2



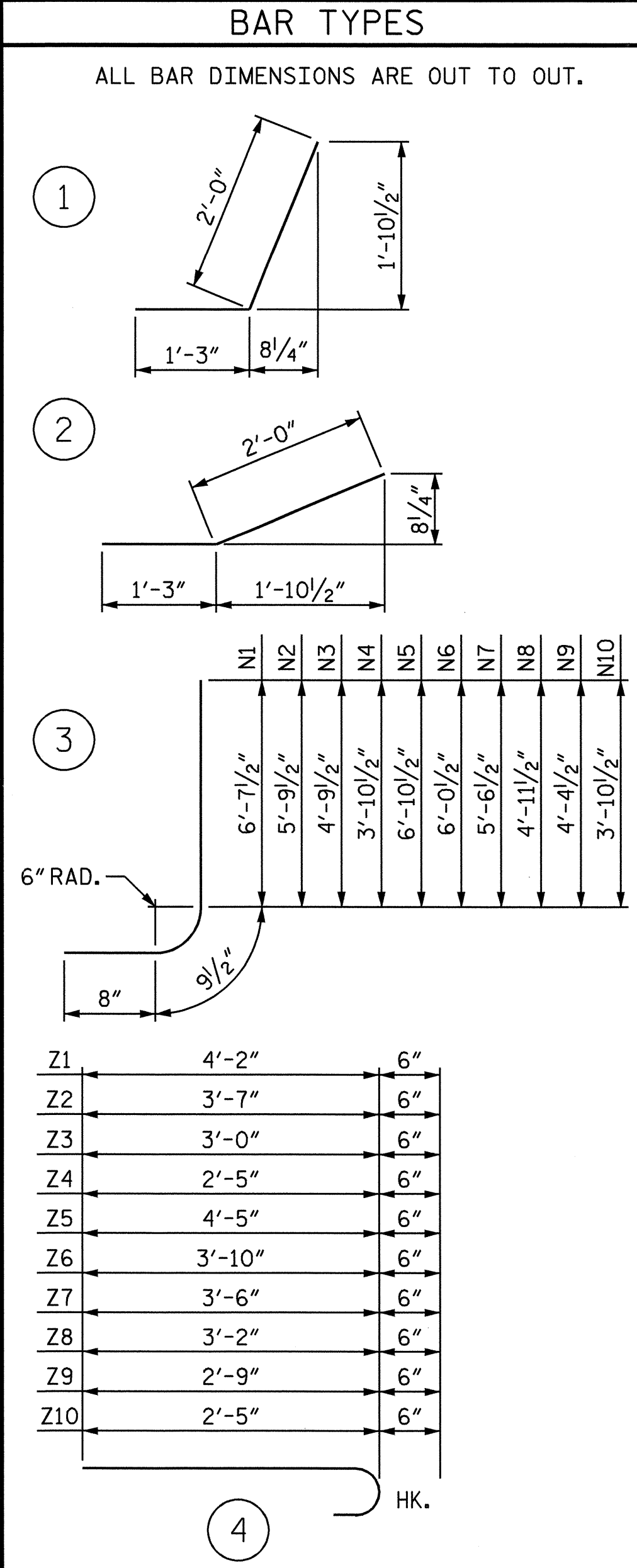
PLAN W1



ELEVATION W2



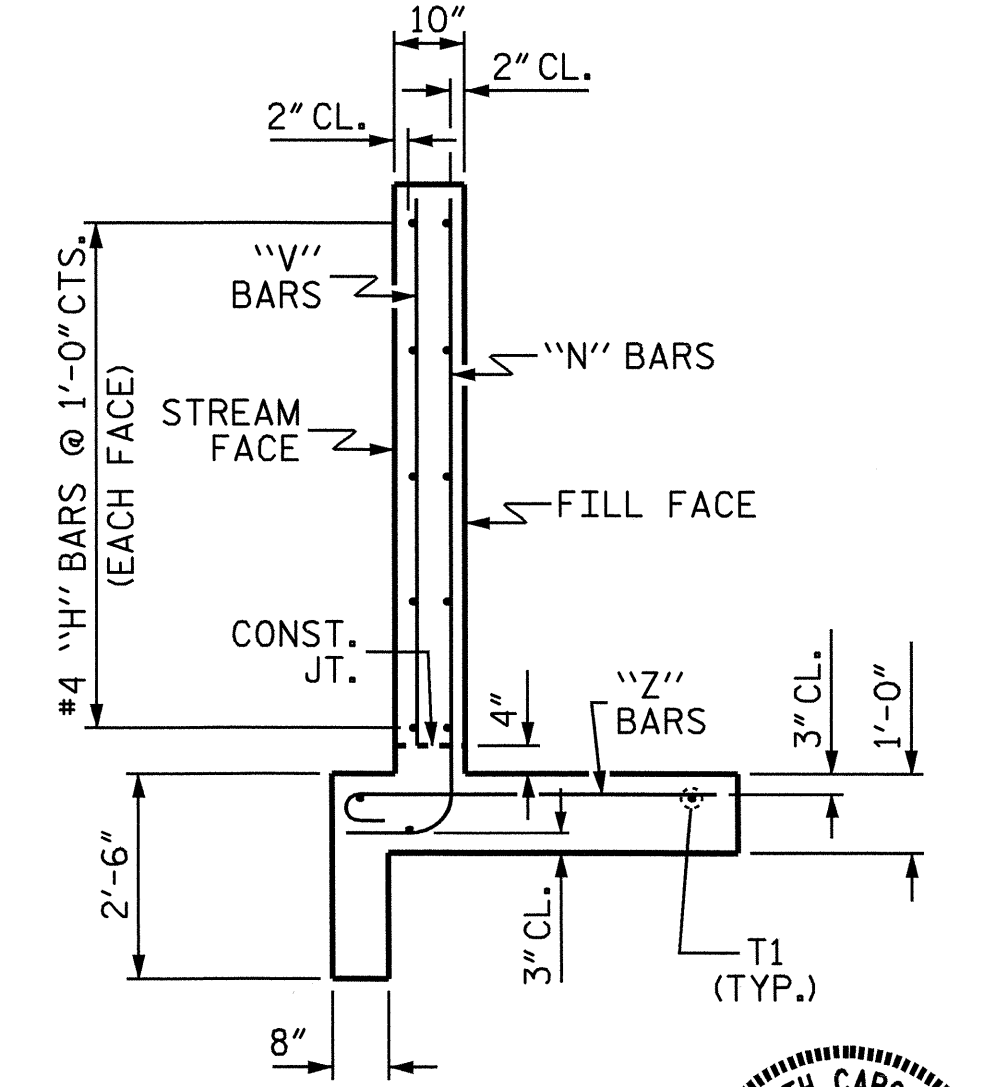
ELEVATION W1



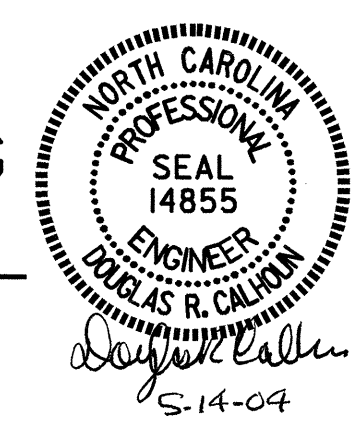
Z1	4'-2"	6"
Z2	3'-7"	6"
Z3	3'-0"	6"
Z4	2'-5"	6"
Z5	4'-5"	6"
Z6	3'-10"	6"
Z7	3'-6"	6"
Z8	3'-2"	6"
Z9	2'-9"	6"
Z10	2'-5"	6"

BILL OF MATERIAL					
BAR	NO.	SIZE	TYPE	LENGTH	WEIGHT
H1	12	#4	STR	5'-4"	43
H2	4	#4	STR	2'-6"	7
H3	20	#4	1	3'-3"	43
H4	4	#4	STR	5'-11"	16
H5	12	#4	STR	16'-1"	129
H6	4	#4	STR	8'-8"	23
H7	20	#4	2	3'-3"	43
H8	4	#4	STR	16'-4"	44
N1	4	#4	3	8'-1"	22
N2	4	#4	3	7'-3"	19
N3	4	#4	3	6'-3"	17
N4	4	#4	3	5'-4"	14
N5	4	#4	3	8'-4"	22
N6	10	#4	3	7'-6"	50
N7	6	#4	3	7'-0"	28
N8	6	#4	3	6'-5"	26
N9	6	#4	3	5'-10"	23
N10	6	#4	3	5'-4"	21
S1	12	#6	STR	6'-0"	108
T1	4	#5	STR	7'-3"	30
T2	2	#5	STR	8'-0"	17
T3	6	#5	STR	18'-0"	113
V1	4	#4	STR	6'-1"	16
V2	4	#4	STR	5'-2"	14
V3	4	#4	STR	4'-3"	11
V4	4	#4	STR	3'-4"	9
V5	4	#4	STR	6'-3"	17
V6	10	#4	STR	5'-6"	37
V7	6	#4	STR	4'-11"	20
V8	6	#4	STR	4'-5"	18
V9	6	#4	STR	3'-10"	15
V10	6	#4	STR	3'-3"	13
Z1	4	#4	4	4'-8"	12
Z2	4	#4	4	4'-1"	11
Z3	4	#4	4	3'-6"	9
Z4	4	#4	4	2'-11"	8
Z5	4	#4	4	4'-11"	13
Z6	10	#4	4	4'-4"	29
Z7	6	#4	4	4'-0"	16
Z8	6	#4	4	3'-8"	15
Z9	6	#4	4	3'-3"	13
Z10	6	#4	4	2'-11"	12

REINFORCING STEEL FOR 4 WINGS 1166 LBS
 CLASS A CONCRETE
 4 WINGS 18.5 CY
 2 HEADWALLS 4.3 CY
 2 END CURTAIN WALLS 5.3 CY
 TOTAL 28.1 CY



TYPICAL WING SECTION



PROJECT NO. B-3616
BUNCOMBE COUNTY
 STATION: 12+02.00 -L-

SHEET 6 OF 7
 STATE OF NORTH CAROLINA
 DEPARTMENT OF TRANSPORTATION
 RALEIGH
WINGS FOR CONCRETE BOX CULVERT
 H = 6'-0" SLOPE = 2:1
 140° SKEW

ASSEMBLED BY : A. K. PATEL DATE :10/06/03
 CHECKED BY : A. L. MEADOWS DATE :10/10/03
 DRAWN BY : CCJ 01/00
 CHECKED BY : RWW 03/00

REVISIONS						SHEET NO.	
NO.	BY:	DATE:	NO.	BY:	DATE:	C-6	
1			3			TOTAL SHEETS	
2			4			7	

STD. NO. CW4506