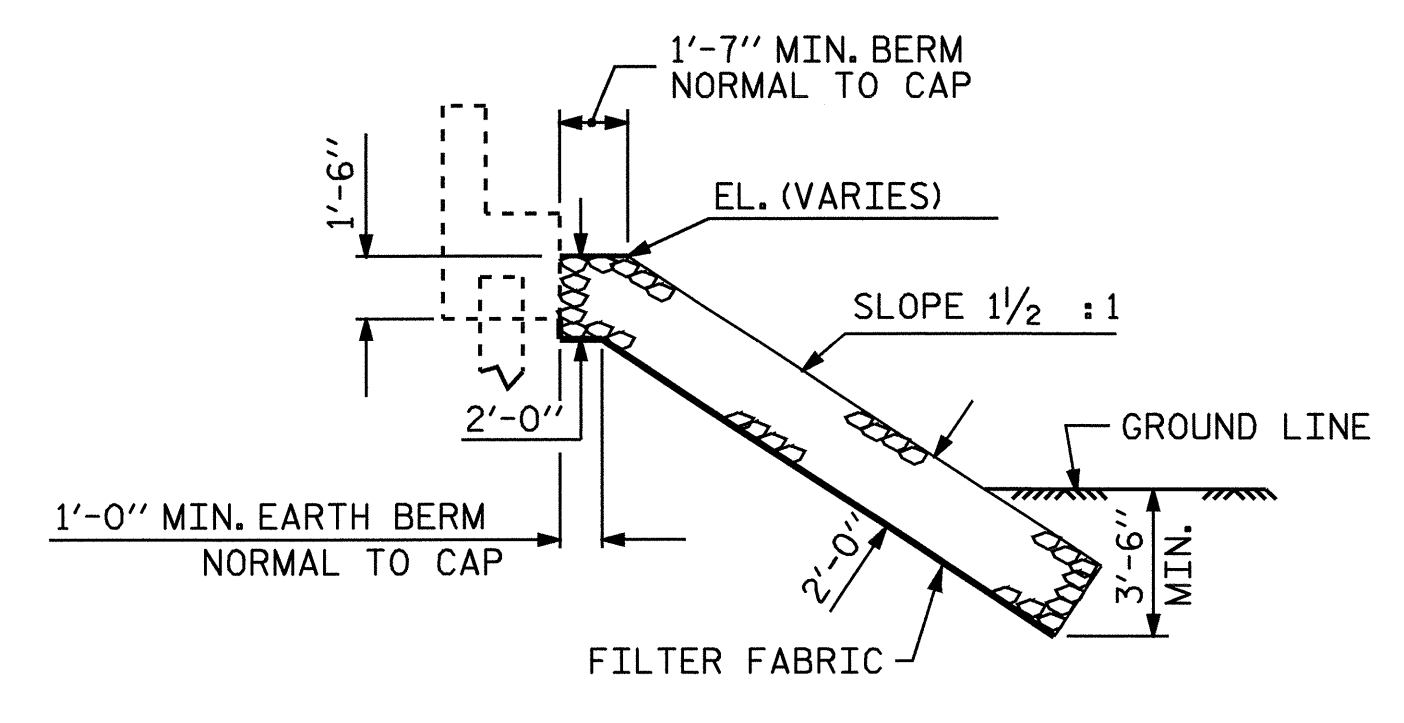


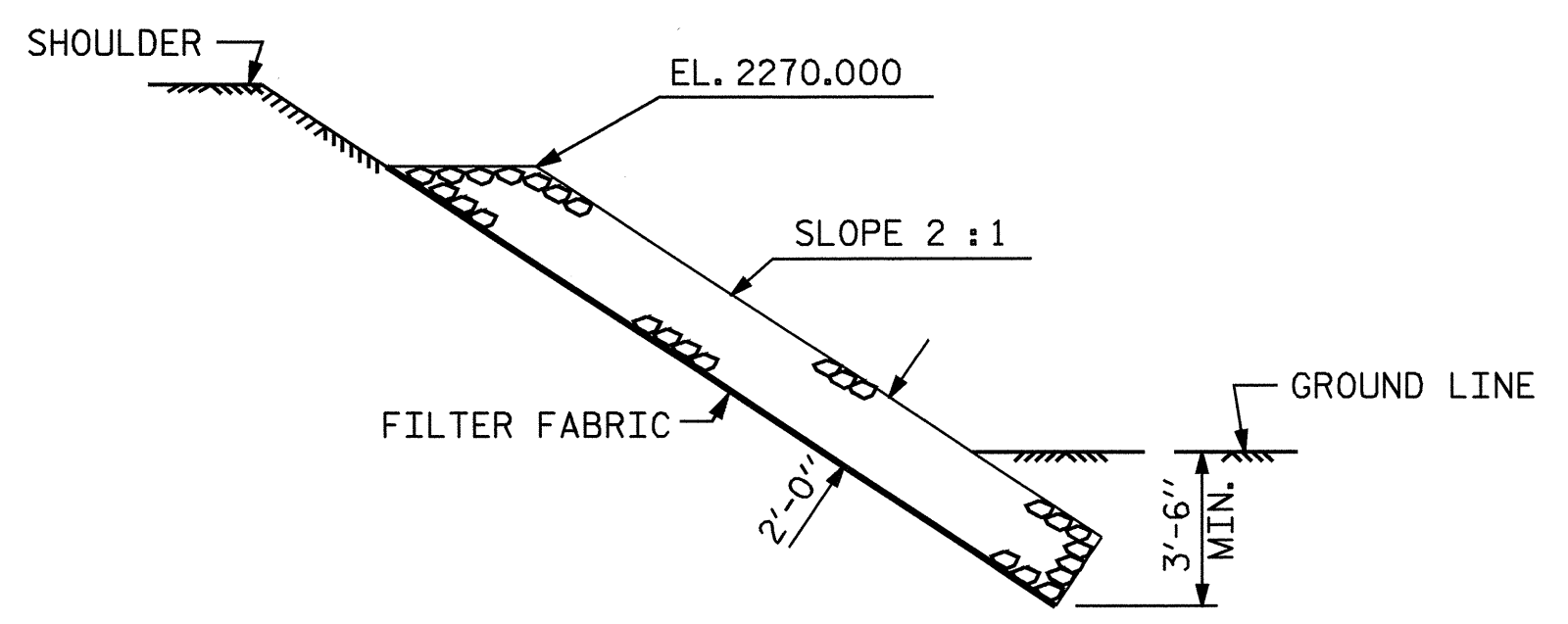
NOTE
 THE AREA EXCAVATED ON THE NORTH BANK AS PART OF THE BRIDGE REMOVAL SHALL BE PROTECTED FROM EROSION WITH A 2 FOOT THICK LAYER OF CLASS II RIP RAP AS DIRECTED BY THE ENGINEER.

ESTIMATED QUANTITIES		
BRIDGE @ STA. 19+80.00 -L-	PLAIN RIP RAP CLASS II	FILTER FABRIC FOR DRAINAGE
	TONS	SQUARE YARDS
END BENT 1	181	186
END BENT 2	185	189

PLAN

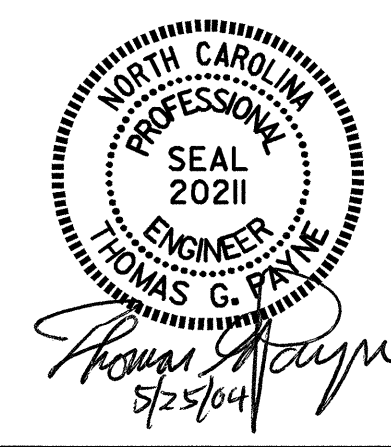


SECTION C-C
 BERM RIP RAPPED



SECTION C-C

PROJECT NO. B-3310
BUNCOMBE COUNTY
 STATION: 19+80.00 -L-



STATE OF NORTH CAROLINA
 DEPARTMENT OF TRANSPORTATION
 RALEIGH
STANDARD
== RIP RAP DETAILS ==

ASSEMBLED BY : A.R.CHESSON	DATE : 7-03
CHECKED BY : H.A.LOCKLEAR	DATE : 1-8-04
DRAWN BY : REK 1/84	REV. 7/17/98 REK/RWW
CHECKED BY : RDU 1/84	REV. 8/16/99 RWW/LES
	REV. 10/17/00 RWW/LES

REVISIONS						SHEET NO.	
NO.	BY:	DATE:	NO.	BY:	DATE:	S-24	
1			3			TOTAL SHEETS	32
2			4				